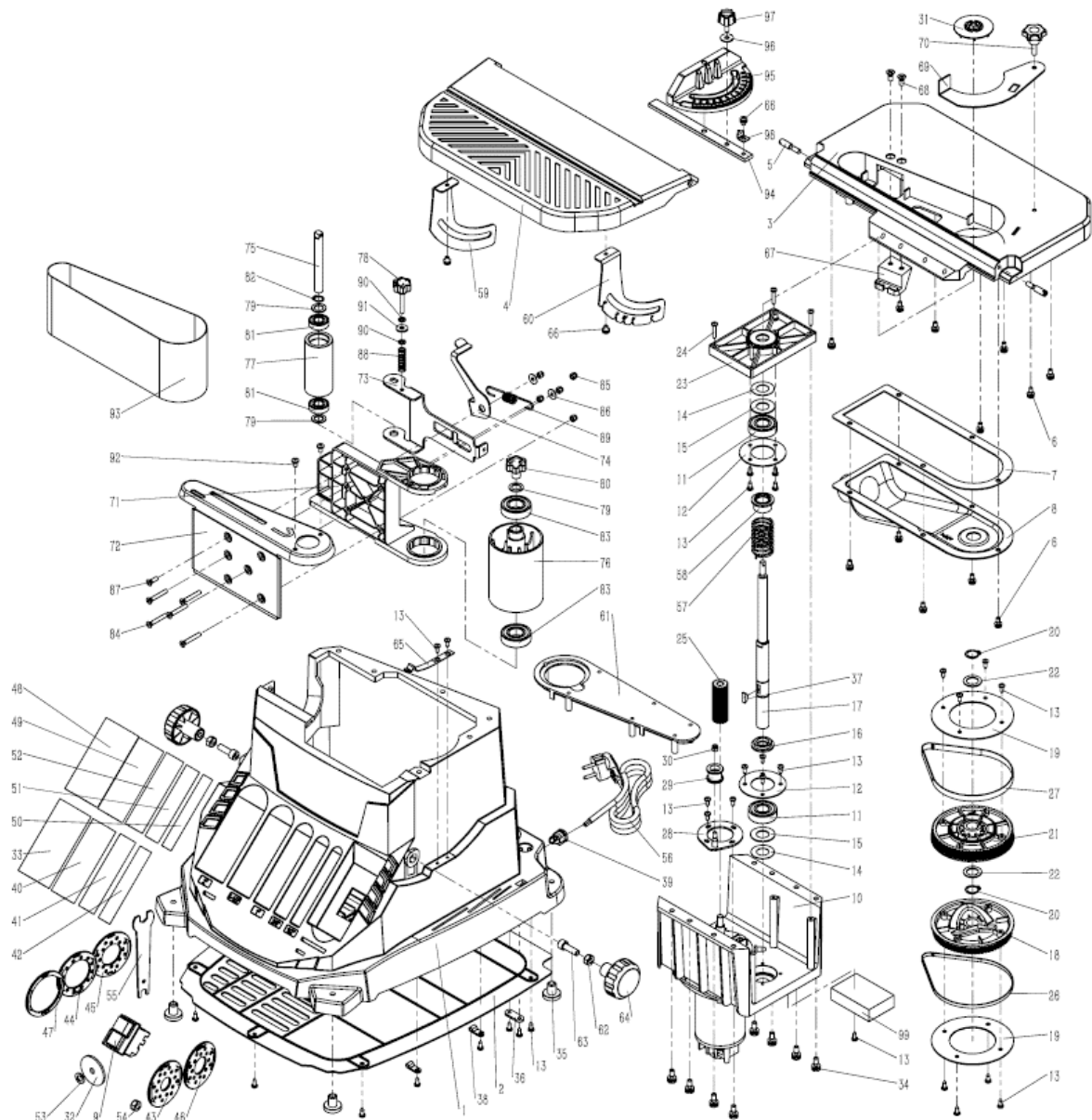




17.2 Explosionszeichnung / Exploded view



17.3 Ersatzteilliste / Spare part list

No.	Description	Qty.	No	Description	
1	Base	1	51	Sand cylinder	1
2	Baseplate	1	52	Sand cylinder	1
3	Fixed table	1	53	Washer 8	1
4	Movable table	1	54	Nut M8	1
5	Axis pin	2	55	Wrench	1
6	Screw, spring washer and flat washer M5x12	12	56	Power cord	1
7	Rubber ring	1	57	Spring	1
8	Dust port	1	58	Axle sleeve	1
9	Switch	1	59	Left table support	1



10	Motor	1	60	Right table support	1
11	Deep groove ball bearing	2	61	Belt work table plate	1
12	Pressing plate	2	62	Nut M8	2
13	Screw	32	63	Screws M8x25	2
14	Rubber blanket	2	64	Tension handle	2
15	Felt blanket	2	65	Leaf spring	1
16	Shaft sleeve	1	66	Screw, spring washer and flat washer M5x8	3
17	Spindle	1	67	Fixed the slider	1
18	69 teeth synchronous belt wheel	1	68	Screws M6x14	2
19	Press plate with wheel	2	69	Limit board	1
20	Circlip for shaft	2	70	Index plate handle	1
21	70 teeth synchronous belt wheel	1	71	Belt support	1
22	Spring backed plate	2	72	Support plate	1
23	Backpanels	1	73	Guide frame	1
24	Screw ST4,2x25	4	74	Sand belt tension handle	1
25	Motor wheel	1	75	Driven shaft	1
26	Synchronous belt	1	76	Drive roller	1
27	Synchronous belt	1	77	Driven roller	1
28	Tightening rack assembly	1	78	Sand belt adjusting handle	1
29	Tightening wheel assembly	1	79	Washer	3
30	Nut M5	1	80	Sand belt lock handle	1
31	Connector	1	81	Deep groove ball bearing 6001-2RS	2
32	Sand cylinder pressing plate	1	82	Circlip for shaft 12	1
33	Sand cylinder roller	1	83	Deep groove ball bearing 6004-2RS	2
34	Screw, spring washer and flat washer M6x16	8	84	Screws M5x35	5
35	Foot	4	85	Nut M5	5
36	Cable joint	1	86	Washer 5	2
37	Half round key 5 x6,5	1	87	Screws M5x16	1
38	Install wire fixing button	2	88	Regulating spring	1
39	Ply-yarn drill	1	89	Extension spring	1
40	Sand cylinder roller	1	90	Washer 5	2
41	Sand cylinder roller	1	91	Rubber washer	1
42	Sand cylinder roller	1	92	Screws M5x8	2
43	13mm Work table plate	1	93	Belt	1
44	38mm Work table plate	1	94	Miter rods	1
45	26mm Work table plate	1	95	Index plate	1
46	19mm Work table plate	1	96	Washer 6	1
47	51mm Work table plate	1	97	Handle	1
48	Sand cylinder	1	98	Pointer	1
49	Sand cylinder	1	99	Circuit board	1
50	Sand cylinder	1			

## 18 ZUBEHÖR / ACCESSORIES

**(DE)** Optionales Zubehör finden Sie online auf der Produktseite, Kategorie EMPFOHLENES ZUBEHÖR ZUM PRODUKT.

**(EN)** Optional accessories can be found online on the product page, category RECOMMENDED PRODUCT ACCESSORIES.