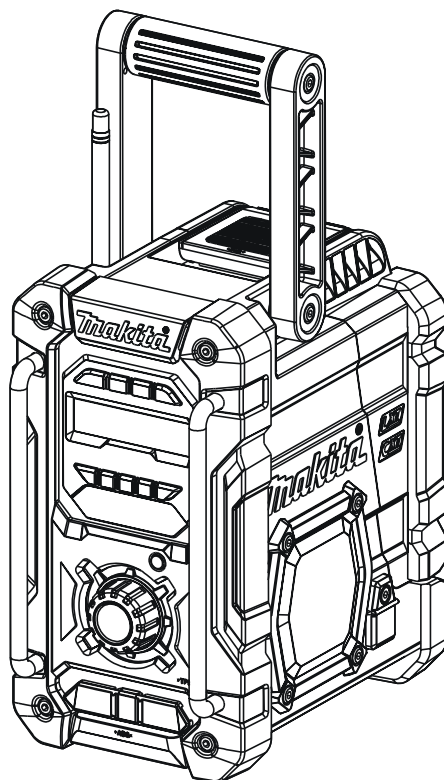
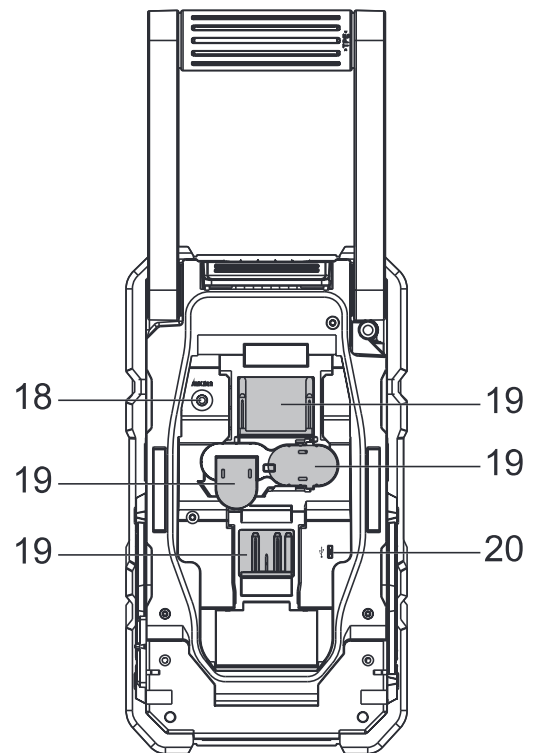
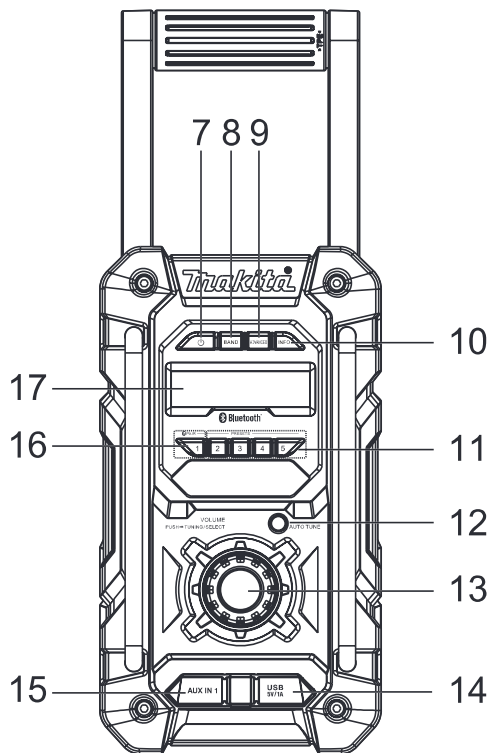
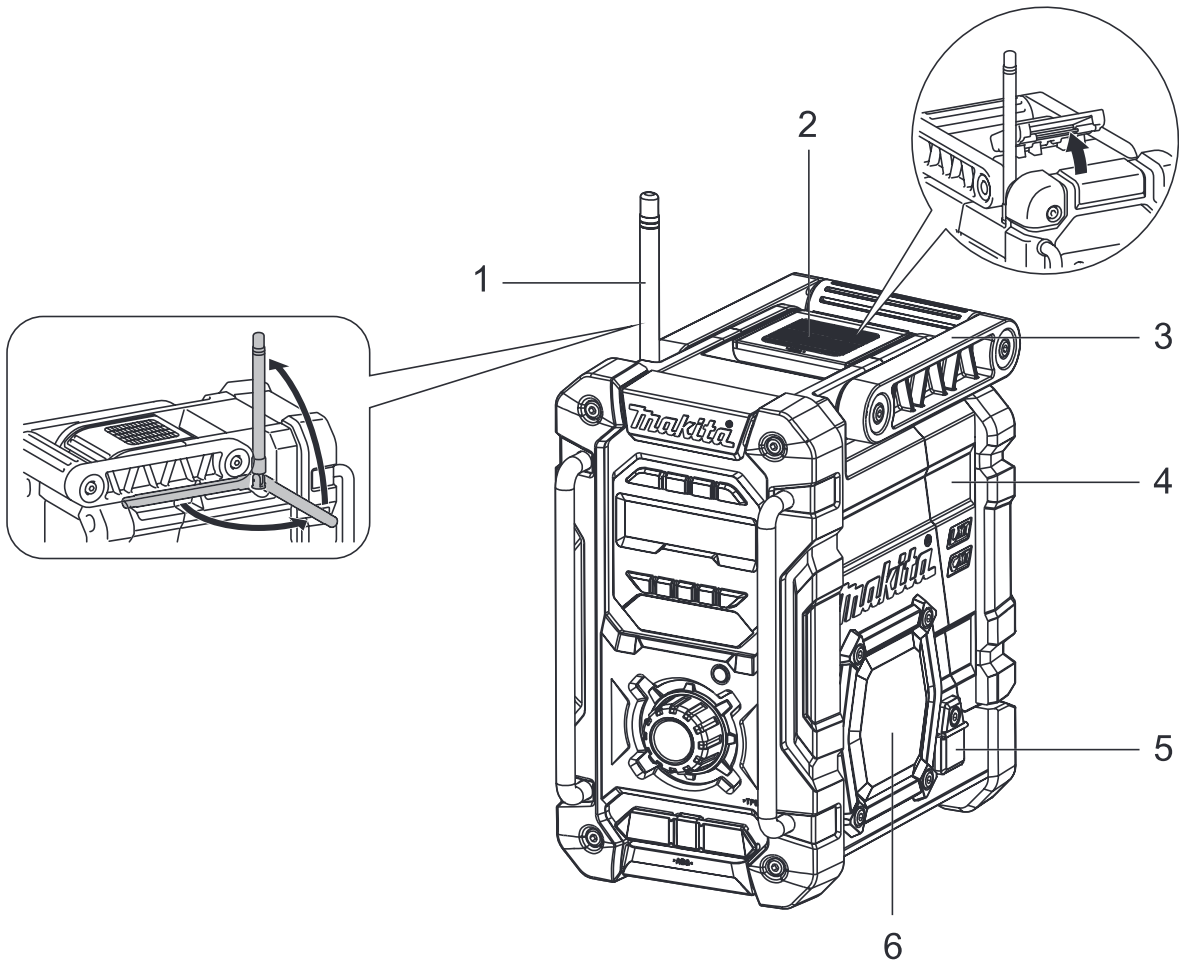


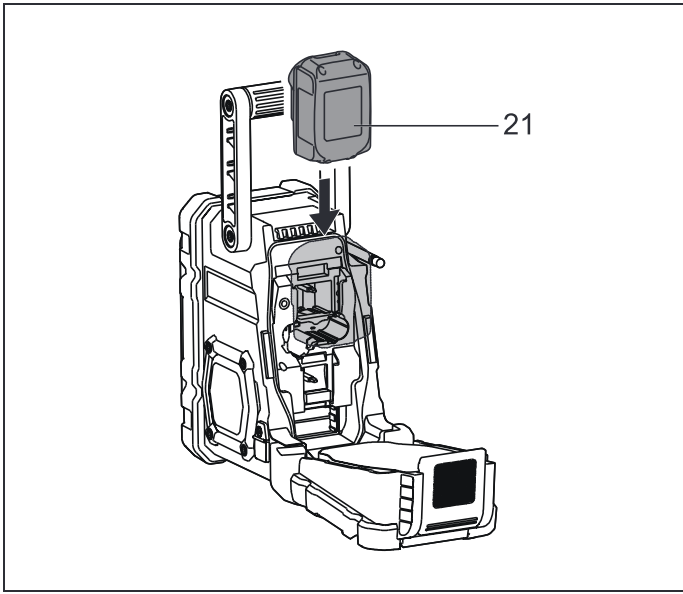


EN	Job Site Radio	Instruction manual	4
SV	Arbetsplatsradio	Bruksanvisning	13
NO	Radio for arbeidssted	Instruksjonsmanual	22
FI	Työmaaradio	Käyttöopas	31
LV	Darba vietas radio	Instrukciju rokasgrāmata	40
LT	Darbo vietas radijas	Vartotojo instrukcija	49
ET	Töökoha raadio	Kasutusjuhend	58
RU	Радиоприемник	Руководство по использованию	67

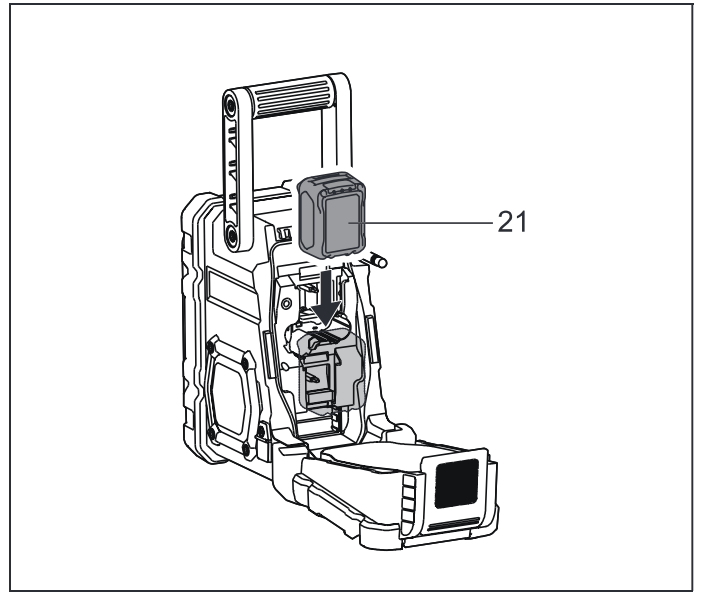
## DMR112



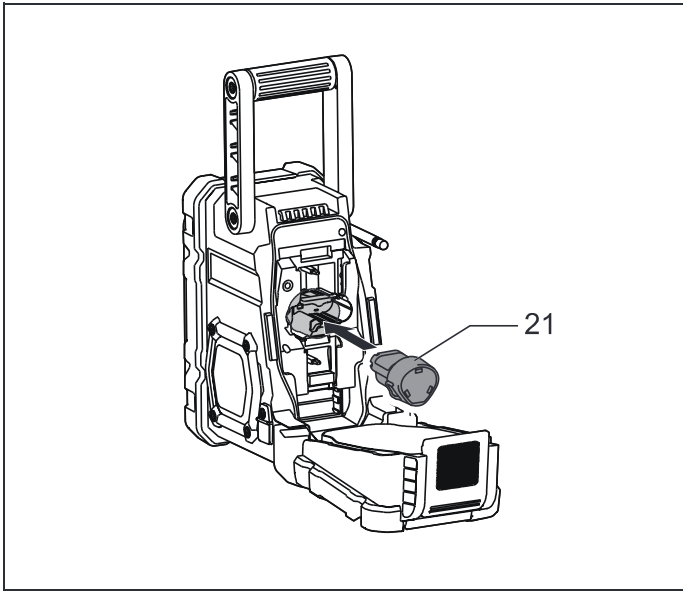




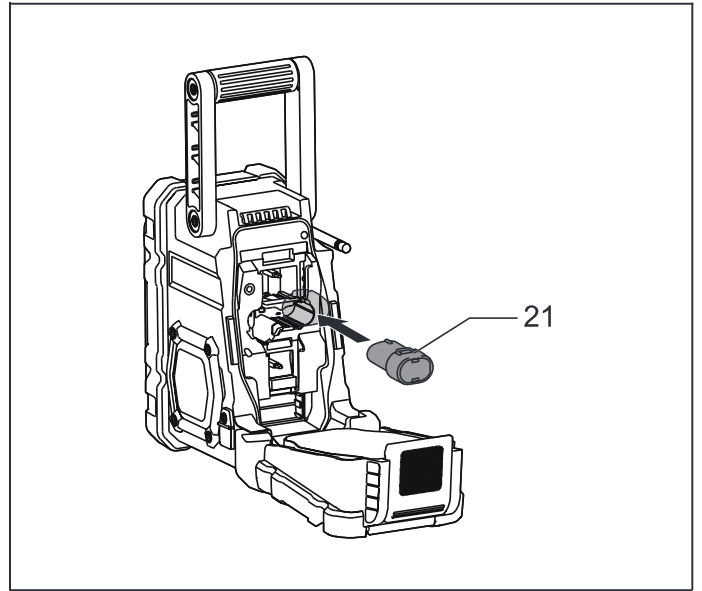
2



3



4



5

## ENGLISH (Original instructions)

### EXPLANATION OF GENERAL VIEW (Fig. 1~5)

1. Soft bended rod antenna
2. Battery compartment locker
3. Handle
4. Battery compartment cover  
(covering battery cartridge)
5. DC IN socket
6. Speaker
7. Power button
8. Band button
9. Advanced setting button
10. Info button
11. Preset 2-5
12. Auto tune button
13. Volume/Tuning Control/Select knob
14. USB power supply port
15. AUX IN 1
16. Preset 1/Bluetooth pairing button
17. LCD display
18. Input terminal (AUX IN 2)
19. Battery compartment
20. Micro USB port for software upgrade
21. Battery cartridge

### SYMBOLS

The following show the symbols used for the equipment.  
Be sure that you understand their meaning before use.



Read instruction manual.



Only for EU countries.

Do not dispose of electric equipment or battery pack together with household waste material!

In observance of the European Directives, on Waste Electric and Electronic Equipment and Batteries and Accumulators and Waste Batteries and Accumulators and their implementation in accordance with national laws, electric equipment and batteries and battery pack(s) that have reached the end their life must be collected separately and returned to an environmentally compatible recycling facility.

## IMPORTANT SAFETY INSTRUCTIONS

### **WARNING:**

When using electric tools, basic safety precautions should always be followed to reduce the risk of fire, electric shock, and personal injury, including the following:

1. Read this instruction manual and the charger instruction manual carefully before use.
2. Clean only with dry cloth.
3. Do not install near any heat sources such as radiators, heat registers, stoves, or other apparatus (including amplifiers) that produce heat.
4. Only use attachments/accessories specified by the manufacturer.
5. Unplug this apparatus during lightning storms or when unused for long periods of time.
6. A battery operated radio with integral batteries or a separate battery pack must be recharged only with the specified charger for the battery. A charger that may be suitable for one type of battery may create a risk of fire when used with another battery.
7. Use battery operated radio only with specifically designated battery packs. Use of any other batteries may create a risk of fire.
8. When battery pack is not in use, keep it away from other metal objects like: paper clips, coins, keys, nails, screws, or other small metal objects that can make a connection from one terminal to another. Shorting the battery terminals together may cause sparks, burns, or a fire.
9. Avoid body contact with grounded surfaces such as pipes, radiators, ranges and refrigerators. There is an increased risk of electric shock if your body is grounded.
10. Under abusive conditions, liquid may be ejected from the battery; avoid contact. If contact accidentally occurs, flush with water. If liquid contacts eyes, additionally seek medical help. Liquid ejected from the battery may cause irritation or burns.
11. Do not use a battery pack or tool that is damaged or modified. Damaged or modified batteries may exhibit unpredictable behaviour resulting in fire, explosion or risk of injury.
12. Do not expose a battery pack or tool to fire or excessive temperature. Exposure to fire or temperature above 130 °C may cause explosion.
13. Follow all charging instructions and do not charge the battery pack or tool outside the temperature range specified in the instructions. Charging improperly or at temperatures outside the specified range may damage the battery and increase the risk of fire.
14. The MAINS plug is used as the disconnect device, and it shall remain readily operable.

15. Do not use the product at a high volume for any extended period. To avoid hearing damage, use the product at moderate volume level.
16. (For products with LCD display only) LCD displays include liquid which may cause irritation and poisoning. If the liquid enters the eyes, mouth or skin, rinse it with water and call a doctor.
17. Do not expose the product to rain or wet conditions. Water entering the product will increase the risk of electric shock.
18. This product is not intended for use by persons (including children) with reduced physical, sensory or mental capabilities, or lack of experience and knowledge, unless they have been given supervision or instruction concerning use of the product by a person responsible for their safety. Children should be supervised to ensure that they do not play with the product. Store the product out of the reach of children.

## SAVE THESE INSTRUCTIONS

### SPECIFIC SAFETY RULES

#### FOR BATTERY CARTRIDGE

1. Before using battery cartridge, read all instructions and cautionary markings on (1) battery charger, (2) battery, and (3) product using battery.
2. Do not disassemble battery cartridge.
3. If operating time has become excessively shorter, stop operating immediately. It may result in a risk of overheating, possible burns and even an explosion.
4. If electrolyte gets into your eyes, rinse them out with clear water and seek medical attention right away. It may result in loss of your eyesight.
5. Do not short the battery cartridge:
  - (1) Do not touch the terminals with any conductive material.
  - (2) Avoid storing battery cartridge in a container with other metal objects such as nails, coins, etc.
  - (3) Do not expose battery cartridge to water or rain. A battery short can cause a large current flow, overheating, possible burns and even a breakdown.
6. Do not store the tool and battery cartridge in locations where the temperature may reach or exceed 50°C (122°F).
7. Do not incinerate the battery cartridge even if it is severely damaged or is completely worn out. The battery cartridge can explode in a fire.
8. Be careful not to drop or strike battery.
9. Do not use a damaged battery.
10. To avoid risk, the manual of replaceable the battery should be read before use. And the max discharging current of the battery should be greater than or equal to 8A.

11. The contained lithium-ion-batteries are subject to the Dangerous Goods Legislation requirements. For commercial transports e.g. by third parties, forwarding agents, special requirement on packaging and labeling must be observed.

For preparation of the item being shipped, consulting an expert for hazardous material is required. Please also observe possibly more detailed national regulations.

Tape or mask off open contacts and pack up the battery in such a manner that it cannot move around in the packaging.

12. Follow your local regulations relating to disposal of battery.
13. Use the batteries only with the products specified by Makita. Installing the batteries to non-compliant products may result in a fire, excessive heat, explosion, or leak of electrolyte.

#### CAUTION:

- **Danger of explosion if battery is incorrectly replaced.**
- **Replace only with the same or equivalent type.**
- **Only use genuine Makita batteries. Use of non-genuine Makita batteries, or batteries that have been altered, may result in the battery bursting causing fires, personal injury and damage. It will also void the Makita warranty for the Makita tool and charger.**

#### Tips for maintaining maximum battery life

1. Charge the battery cartridge before completely discharged. Always stop tool operation and charge the battery cartridge when you notice less tool power.
2. Never recharge a fully charged battery cartridge. Overcharging shortens the battery service life.
3. Charge the battery cartridge with room temperature at 10°C - 40°C (50°F - 104°F). Let a hot battery cartridge cool down before charging it.
4. Charge the battery cartridge if you do not use it for a long period (more than six months).

# OPERATING TIME

\* The following table indicates the operating time on a single charge.

Battery capacity	Battery cartridge voltage					AT SPEAKER OUTPUT = 100mW Unit: Hour (Approximately)	
	7.2 V	10.8 V	10.8 V – 12Vmax	14.4 V	18 V	In radio or AUX	In radio with USB charging (1.0A)
1.0 Ah	BL7010					5.0	0.7
1.3 Ah		BL1013				7.0	0.9
				BL1415		5.5	1.7
					BL1815	6.0	1.9
1.5 Ah	BL0715					7.5	1.0
			BL1015 BL1016			8.5	1.7
				BL1415N		7.0	2.0
					BL1815N	7.5	2.0
2.0 Ah			BL1020B BL1021B			11	2.0
					BL1820 BL1820B	10	3.0
3.0 Ah				BL1430 BL1430B		12	3.5
					BL1830 BL1830B	14	4.0
4.0 Ah			BL1040B BL1041B			21	4.0
				BL1440		19	5.5
					BL1840 BL1840B	20	6.0
5.0 Ah				BL1450		23	6.5
					BL1850 BL1850B	26	8.0
6.0 Ah				BL1460B		25	7.5
					BL1860B	31	9.5

□ : Cluster battery    □ : Slide battery

## ⚠ WARNING:

**Only use the battery cartridges listed above. Use of any other battery cartridges may cause injury and/or fire.**

## NOTE:

Table regarding to the battery operating time above is for reference. The actual operating time may differ with the type of the battery, charging condition, or usage environment.

# INSTALLATION AND POWER SUPPLY

## ⚠ CAUTION:

- Be careful not to pinch your fingers when opening and closing the battery cover.
- Return the battery compartment locker to the original position, after installing or removing battery cartridge. If not, battery cartridge may accidentally fall out of the radio, causing injury to you or someone around you.
- Always close and lock the battery compartment locker before moving the radio.
- Always switch off the radio before installing or removing the battery cartridge.
- Be careful not to drop or strike the radio. Broken shell may slash your finger or stab your body. Damaged radio may exhibit unpredictable behaviour resulting in fire, explosion or risk of injury.

## IMPORTANT:

- Reduced power, distortion, "stuttering sound" or when "POWERFAIL" appears on the display are all the signs that the main battery pack needs to replace.
- The battery cartridge can't be charged via the supplied AC power adaptor.
- The battery cartridge is not included as standard accessories.

## Installing or removing Slide battery cartridge (Fig. 2 & 3)

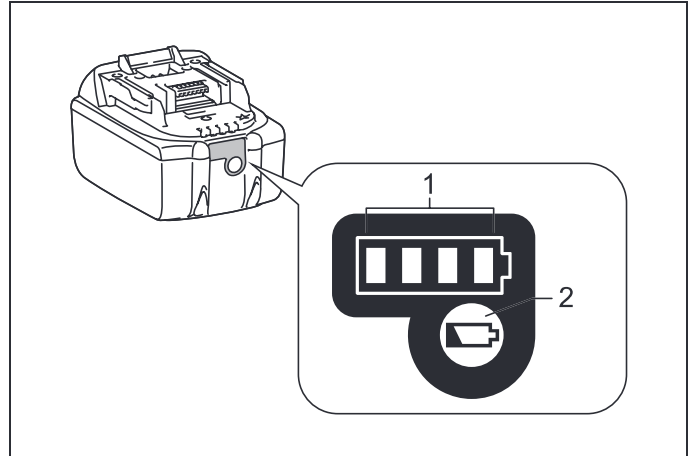
1. To install the battery cartridge, align the tongue on the battery cartridge with the groove in the housing and slip it into place. Always insert it all the way until it locks in place with a little click.
2. If you can see the red indicator on the upper side of the button, it is not locked completely. Install it fully until the red indicator cannot be seen. If not, it may accidentally fall out of the radio, causing injury to you or someone around you.
3. Do not use force when installing the battery cartridge. If the cartridge does not slide in easily, it is not being inserted correctly.
4. To remove the battery cartridge, slide it from the radio while sliding the button on the front of the cartridge.

## Installing or removing Cluster battery cartridge (Fig. 4 & 5)

1. To insert the battery cartridge, align the tongue on the battery cartridge with the groove in the housing and slip it into place.
2. To remove the battery cartridge, take the battery out of the terminal while pressing the buttons on the side of cartridge.

## Indicating the remaining battery capacity

\* Only for battery cartridges with "B" at the end of the model number.



➤ 1. Indicator lamps 2. Check button

Press the check button on the battery cartridge to indicate the remaining battery capacity. The indicator lamps light up for few seconds.

### • 14.4V/18V batteries

Indicator or lamps			Remaining Capacity
Lighted	Off	Blinking	
■ ■ ■ ■			75% ~ 100%
■ ■ ■ □			50% ~ 75%
■ ■ □ □			25% ~ 50%
■ □ □ □			0% ~ 25%
▣ □ □ □			Charge the battery
■ ■ □ □			The battery may have malfunctioned
□ □ ■ ■			

### • 10.8V-12V max batteries

Indicator or lamps			Remaining Capacity
Lighted	Off	Blinking	
■ ■ ■ ■			75% ~ 100%
■ ■ ■ □			50% ~ 75%
■ ■ □ □			25% ~ 50%
■ □ □ □			0% ~ 25%

**NOTE:**

Depending on the conditions of use and the ambient temperature, the indication may differ slightly from the actual capacity.

### Using the soft bended rod antenna (Fig. 1)

Straight up the soft bended rod antenna as shown in the figure.

### Using supplied AC power adaptor

Remove the rubber protector and insert the adaptor plug into the DC socket on the right hand side of the radio. Plug the adaptor into a standard mains socket outlet. Whenever the adaptor is used, the battery pack is automatically disconnected.

**⚠ CAUTION:**

- **Always disconnected the AC power adapter completely before moving the radio. If the AC adapter is not removed, it may cause an electric shock.**
- **Never pulling and dragging the cord of the adapter. If not, the radio may accidentally fall down, causing injury to you or someone around you.**

**IMPORTANT:**

- The mains adaptor is used as the means of connecting the radio to the mains supply. The mains socket used for the radio must remain accessible during normal use.
- In order to disconnect the radio, the mains adaptor should be removed from the mains outlet completely.
- Use the AC power adaptor supplied with the product or specified by Makita only.
- Do not hold the power supply cable and plug by your mouth. Doing so might cause an electric shock.
- Do not touch the power plug with wet or greasy hands.
- Damaged or entangled cords increase the risk of electric shock. If the cord is damaged, have it replaced by our authorized service center in order to avoid a safety hazard. Do not use it before repair.
- After use, always store AC power adaptor out of the reach of children. If Children play with the cord, they may suffer injury.

### Charging with USB power supply port

There is the USB port at the front side of the radio. You can charge USB device through the USB port.

1. Connect the USB device, such as iPod, MP3, or CD player, with USB cable available in the market.
2. Press the Power button to switch on your radio.
3. No matter if the radio is AC powered or battery powered, the radio can charge the USB device when the radio is switched on and in FM/DAB radio mode, or BT mode, or AUX mode, which is appeared when an external audio source is connected.

**NOTE:**

- The maximum volume of the output power speaker will decrease when your USB is charging.
- The USB socket can provide max 1A5V of electrical current.

**IMPORTANT:**

- Before connecting USB device to the USB port, always backup your data of USB device. Otherwise your data may lose by any possibility.
- The radio may not supply power to some USB devices.
- When not using or after charging, remove the USB cable and close the cover.
- Do not connect power source to USB port. Otherwise there is risk of fire. The USB port is only intended for charging lower voltage device. Always place the cover onto the USB port when not charging the lower voltage device.
- Do not insert a nail, wire, etc. into USB power supply port. Otherwise a circuit short may cause smoke and fire.
- Do not connect this USB socket with your PC USB port, as it is highly possible that it may cause breakdown of the units.

## LISTENING TO THE RADIO

This radio has three tuning methods- Scan tuning, Manual tuning and Memory presets recall.

### Selecting a station – DAB

1. Press the Power button to switch on your radio.
2. Select the DAB mode by pressing the Band button.
3. Press the Advanced setting button and rotate the Volume/Tuning Control/Select knob until "Station List" is flashing on the screen. Press the Volume/Tuning Control/Select knob to enter the list of the stations.
4. Rotate the Volume/Tuning Control/Select knob to scroll through the list of available stations. Press the knob to select the station.
5. Adjust the desired volume by rotating the Volume/Tuning Control/Select knob.

### Display modes – DAB

Your radio has a range of display options in the DAB mode.

Press the Info button to cycle through the various options shown in the following letters (a. to g.)

- |                   |   |
|-------------------|---|
| a. Station name   | Indicates the station name being listened to.                                   |
| b. Program type   | Indicates the type of station being listened to. E.g. Pop, Classics, News, etc. |
| c. Multiplex name | Indicates the name of the DAB multiplex to which the current station belongs.   |

d. Time & date	Indicates the current time and date.
e. Frequency and channel	Indicates the frequency and channel number for the currently tuned DAB station.
f. Bit rate/ Audio type	Indicates the digital audio bit rate and audio type for the currently tuned DAB station.
g. Signal strength	Indicates the signal strength for the currently tuned DAB station.

## Finding new stations – DAB

From time to time, new DAB radio stations may become available. Or you may have moved to a different part of the country. In this case you may need to activate your radio to scan for new stations.

To allow the radio to find the available stations, it is recommended to carry out a full scan of the entire DAB Band III frequencies.

1. Press the Auto tune button.
2. Your radio will perform a full scan of the DAB frequencies. As new stations are found, the station counter on the left side in the display will increase and stations will be added to the list.

## Manual tuning – DAB

Manual tuning allows you to tune your radio to a particular DAB frequency in Band III. This function can also be used to assist the positioning of the antenna or the radio so as to optimize reception for a specific channel or frequency.

1. Press the Advanced setting button and rotate the Volume/Tuning Control/Select knob until “Manual Tune” shown on the display. Press the Volume/Tuning Control/Select knob to enter the manual tuning mode.
2. Rotate the Volume/Tuning Control/Select knob to select the desired DAB channel. Press Volume/Tuning Control/Select knob to confirm the chosen frequency.

## Station order setup – DAB

Your radio has 3 station order settings from which you can choose. The station order settings are alphanumeric, ensemble and valid station.

1. Press the Advanced setting button.
2. Rotate the Volume/Tuning Control/Select knob until “Station order” appearing on the display, then press the Volume/Tuning Control/Select knob to enter the setting.
3. Rotate the Volume/Tuning Control/Select knob to select the following options and press the knob to confirm the setting.

Alphanumeric	Sorts the station list alpha-numerically 0...9 A...Z
Ensemble	Organizes the station list by DAB multiplex
Valid	Shows only those stations for which a signal can be found

## Dynamic Range Control (DRC) – DAB

DRC feature can make quieter sounds easier to hear when your radio is used in a noisy environment by reducing the dynamic range of the audio signal. There are three levels of compression:

DRC 0	No compression applied.
DRC 1/2	Medium compression applied.
DRC 1	Maximum compression applied.

1. Press the Power button to switch on your radio.
2. Press the Band button to select the DAB band.
3. Press the Advanced setting button and rotate the Volume/Tuning Control/Select knob until “DRC Value” shown on the display. Then press the Volume/Tuning Control/Select knob to enter the setting. The display will show the current DRC value.
4. Rotate the Volume/Tuning Control/Select knob to select desired DRC setting.
5. Press the Volume/Tuning Control/Select knob to confirm the setting.

## Scan Tuning – FM

1. Press the Power button to turn on the radio.
2. Select the desired waveband by pressing the Band button. Make sure the soft bended rod antenna has been well placed for best FM reception. Try to avoid operating the radio next to a computer screen and other equipment which will cause interference to the radio.
3. Press the Auto tune button and the radio will search and stop automatically when it finds a radio station. The radio will continue searching for the next available station unless the operator presses the Auto tune button to stop the scanning.
4. Rotate the Volume/Tuning Control/Select knob to get the desired sound level. The LCD display will show sound level changes.
5. To turn off the radio, press the Power button.

## FM scan zone

When using FM mode, your radio can be set to scan either local stations or to scan all stations including distant radio stations.

1. Press the Power button to turn on the radio.
2. Press the Band button to select the FM band.
3. Press the Advanced setting button and then rotate the Volume/Tuning Control/Select knob until “FM Scan Zone” shows on the display. Press the Volume/Tuning Control/Select knob to enter the setting.
4. Rotate the Volume/Tuning Control/Select knob to switch between “Local” (Strong stations only) and “Distant” (All stations) options on the lower line of the display. The Distant option will allow the radio to find weaker signals when scanning.
5. Press the Volume/Tuning Control/Select knob to

confirm your selection. The Local or Distant setting is stored in the radio and remains in force until changed or until a System Reset.

## Manual Tuning – FM

1. Press the Power button to turn on the radio.
2. Press the Band button to select desired waveband. Adjust the antenna as described above.
3. Rotate the Volume/Tuning Control/Select knob will change the frequency in the following increment: FM: 50 kHz.

### NOTE:

In order to use the Volume/Tuning Control/Select knob to find your desired station, press the Volume/Tuning Control/Select knob to switch to the tuning control mode.

4. Keep rotating the Volume/Tuning Control/Select knob until desired frequency is shown on the display.
5. Rotate the Volume/Tuning Control/Select knob to get the desired sound level.
6. To turn off the radio, press the Power button.

## Display modes – FM (RDS)

Your radio has a range of display options for FM radio mode.

Repeatedly press the Info button to view the RDS (Radio Data System) information of the station you are listening to.

- |                    |  |
|--------------------|--|
| a. Program station | Indicates the name of the station being listened to.                             |
| b. Frequency       | Indicates the frequency of the FM signal.  |
| c. Radio text      | Indicates text message such as new items, etc.                                   |
| d. Program type    | Indicates the type of station being listened to such as Pop, Classic, News, etc. |
| e. Time & date     | Indicates the current time and date.   |

## Storing stations in preset memories (DAB and FM)

There are 5 memory presets for each waveband.

1. Press the Power button to turn on the radio.
2. Tune to the desired station using one of the methods previously described.
3. Press and hold the desired Preset button until the preset number shown on the display, for example, "P2 Saved". The station is then stored in the selected Preset button.
4. Repeat this procedure for the remaining presets.
5. Stations stored in the preset memories can be overwritten by following the procedures described above.

## Recall stations from the preset memories (DAB and FM)

1. Press the Power button to turn on the radio.
2. Press the Band button to select your desired waveband.
3. Press the desired Preset button momentarily. The preset number and station frequency will appear in the display.

## LISTENING TO MUSIC VIA BLUETOOTH STREAMING

You need to pair your Bluetooth device with the radio before you can auto-link to play/stream Bluetooth music through the radio. Pairing creates a 'bond' so two devices can recognize each other.

### NOTE:

To have the better sound quality, we recommend setting the volume to more than two-thirds level on your Bluetooth device and then adjust the volume on the radio as required.

## Pairing your Bluetooth device for the first time

1. Press the Power button to turn on the radio. Press the Band button to select Bluetooth mode. The Bluetooth indicator on the Preset buttons flashes blue to show the radio is discoverable.
2. Activate Bluetooth on your device according to the device's user manual to link to the radio. Locate the Bluetooth device list and select the device named 'DMR112' with some mobiles (which are equipped with earlier versions than BT2.1 Bluetooth device), you may need to input the pass code "0000".
3. Once connected, there will be a confirmation tone sound and the Bluetooth indicator on the Preset buttons will remain in solid blue. You can simply select and play any music from your source device. Volume control can be adjusted from your source device, or directly from the radio.
4. Use the controls on your Bluetooth-enabled device or on the radio to play/pause and navigate tracks.

### NOTE:

1. If 2 Bluetooth devices, pairing for the first time, both search for the radio, it will show its availability on both devices. However, if one device links with this unit first, then the other Bluetooth device won't find it on the list.
2. If your Bluetooth device is temporarily disconnected to the radio, then you need to manually reconnect your device again to the radio.
3. If 'DMR112' shows in your Bluetooth device list but your device cannot connect with it, please delete the item from your list and pair the device with the radio again following the steps described previously.

4. Optimum Bluetooth streaming range is roughly 10 meters (30 feet) (line of sight) to the radio but distance up to 30 meters (100 feet) are possible.
5. If Bluetooth connection is lost due to exceeding time of separation, exceeding the optimum distance, obstacles or otherwise, reconnecting your device with the radio may be necessary.
6. Physical obstacles, other wireless devices or electromagnetic devices may affect the connection quality.
7. Bluetooth connectivity performance may vary depending on the connected Bluetooth devices. Please refer to the Bluetooth capabilities of your device before connecting to the radio. All features may not be supported on some paired Bluetooth devices.

### Playing audio files in Bluetooth mode

When you have successfully connected the radio with the chosen Bluetooth device you can start to play your music using the controls on your connected Bluetooth device.

1. Once playing has started adjust the volume to the required setting using the Volume knob on the radio or on your enabled Bluetooth device.
2. Use the controls on your device to play/pause and navigate tracks.

#### NOTE:

1. That not all player applications or devices may respond to all of these controls.
2. Some mobile phones may temporarily disconnect from the radio when you make or receive calls. Some devices may temporarily mute their Bluetooth audio streaming when they receive text messages, emails or for other reasons unrelated to audio streaming. Such behaviour is a function of the connected device and does not indicate a fault with the radio.

### Playing a previously-paired Bluetooth source device

The radio can memorize up to 8 sets of paired device, when the memory exceed this amount, the oldest pairing history will be over written. If your Bluetooth device already paired with the radio previously, the unit will memorize your Bluetooth device and it attempts to reconnect with a device in memory which is last connected. If the last connected device is not available, the radio will be discoverable.

### Disconnecting your Bluetooth device

Press and hold the Bluetooth pairing button for 2-3 seconds to disconnect with your Bluetooth device. The Bluetooth indicator on the Preset buttons flashes in blue indicating the radio is discoverable again for pairing.

## AUXILIARY INPUT SOCKET

Two 3.5 mm stereo Auxiliary Input sockets are provided. One is at the front of your radio (AUX IN 1); the other is located in the battery compartment (AUX IN 2).

1. Connect an external audio source (for example, iPod, MP3 or CD player) to the Auxiliary Input socket by audio cord.
2. Repeatedly press and release the Band button until "AUX IN 1" or "AUX IN 2" is displayed, then AUX function is activated.
3. To have the better sound quality, we recommend setting the volume to more than two-thirds level on your audio device and then adjust the volume on the radio as required.

#### NOTE:

Audio cord is not included as standard accessories.

## MISCELLANEOUS SETTINGS

### Language options

There are eight language options available in the radio: English, German, Italian, French, Dutch, Danish, Norwegian and Polish.

1. Press Advanced setting button.
2. Rotate the Volume/Tuning Control/Select knob until "Language" shown on the display. Press the Volume/Tuning Control/Select knob to enter the setting.
3. Rotate the Volume/Tuning Control/Select knob to choose your desired language. Press the Volume/Tuning Control/Select knob to confirm your setting.

### Brightness control

The button Light can be adjusted.

1. Press the Advanced setting button.
2. Rotate the Volume/Tuning Control/Select knob until "Button Light" is shown on the display. Press the Volume/Tuning Control/Select knob to enter the setting.
3. Rotate the Volume/Tuning Control/Select knob to choose "On" or "Off" to enable or disable the button light function, then press the Volume/Tuning Control/Select knob to confirm the setting.

### System reset

If your radio fails to work correctly, or some digits on the display are missing or incomplete, carry out the following procedure.

1. Press the Advanced setting button.
2. Rotate the Volume/Tuning Control/Select knob until "Factory Reset" shown on the display. Press the Volume/Tuning Control/Select knob to enter the setting.
3. Rotate the Volume/Tuning Control/Select knob to choose "Yes". Press the Volume/Tuning Control/Select knob to confirm the setting and a full reset will be performed.

## Software version

1. Press the Advanced setting button.
2. Rotate the Volume/Tuning Control/Select knob until "SW Version" shown on the display. Press the Volume/Tuning Control/Select knob to view the software version installed in the radio.

## Micro USB port for software upgrade

Software updates for your radio may be available in the future.

As software updates become available software and information on how to update your radio can be found at **Makita website**.

## MAINTENANCE

### CAUTION:

**Never use gasoline, benzene, thinner, alcohol or the like. Discoloration, deformation or cracks may result.**

## SPECIFICATIONS

Power requirements	
AC power adaptor	DC 12 V 1.2A, center pin positive
Battery	Cluster battery: 7.2 V - 10.8 V Slide battery: 10.8 V - 18 V
Frequency coverage	FM 87.50 - 108 MHz DAB/DAB+ 174.928-239.200 MHz
DAB/DAB+ Channel block	DAB (Band III) 5A-13F
Compatible standard	DAB/DAB+

Bluetooth®	
(The Bluetooth® word mark and logos are registered trademarks owned by Bluetooth SIG, Inc.)	
Bluetooth version	4.0
Bluetooth Profiles	A2DP/SCMS-T
Transmission Power	Power Class2
Transmission Range	Optimum: Max. 10 meters (33 feet) Possible: Max. 30 meters (100 feet) (varies according to usage conditions)
Supported codec	SBC,AAC
Compatible Bluetooth profile	A2DP
Maximum radio-frequency power	BT EDR: 3.12dBm BT LE: 2.31dBm
Operating Frequency	2402MHz~2480MHz

Circuit feature	
Loudspeaker	3.5 inches 32 ohm x 2
Output power	7.2 V: 0.6 W X 2 12Vmax: 1.7 W X 2 14.4 V: 3 W X 2 18 V: 4.9 W X 2
Input terminal	3.5 mm dia. (AUX IN1/AUX IN2)
Antenna system	DAB/FM: soft bended rod antenna
Dimensions (L x W x H)	282 × 163 × 294 mm
Weight	4.3KG (without battery)

# SVENSKA

## (Originalanvisningar)

### BESKRIVNING AV VERSIKTSBILD (Fig. 1~5)

1. Mjuk böjbar stavantenn
2. Batterifacklucka
3. Handtag
4. Batterifackskåpa (täcker batterikassetten)
5. DC IN uttag
6. Högtalare
7. Strömknapp
8. Bandknapp
9. Avancerad inställningsknapp
10. Informationsknapp
11. Förinställning 2-5
12. Automatisk inställningsknapp
13. Volym/Inställningskontroll/Välj-ratt
14. USB-strömport
15. AUX IN 1
16. Förinställning 1/Bluetooth-parningsknapp
17. LCD-skärm
18. Ingångsterminal (AUX IN 2)
19. Batterifack
20. Micro USB-port för uppgradering av program
21. Batterikassett

### SYMBOLER

Följande symboler används på utrustningen. Se till att du förstår innebörden av dem innan du använder apparaten.



Läs bruksanvisningen.



Gäller endast EU-länder.

Elektrisk utrustning eller batteripaket får inte kastas i hushållssoporna! Enligt EU-direktiven som avser förbrukad elektrisk och elektronisk utrustning, batterier, ackumulatörer, förbrukade batterier och ackumulatörer, samt direktivens tillämpning enligt nationell lagstiftning, ska uttjänt elektrisk utrustning, batterier och batteripaket sorteras separat och lämnas till miljövänlig återvinning.

### VIKTIGA SÄKERHETSANVISNINGAR

#### ⚠ VARNING:

Vid användning av elektriska apparater ska grundläggande

säkerhetsåtgärder alltid följas för att minska risken för brand, elektriska stötar och personskador, inklusive följande.

1. Läs denna bruksanvisning och laddarens bruksanvisning noggrant före användning.
2. Rengör endast med torr trasa.
3. Installera inte nära värmekällor såsom värmeelement, värmespjäll, spisar eller andra apparater (inklusive förstärkare) som alstrar värme.
4. Använd endast tillsatser/tillbehör specificerade av tillverkaren.
5. Dra ur apparatens sladd vid åska eller när apparaten inte används under en längre tid.
6. En batteridrivnen radion med integrerade batterier eller ett separat batteri får endast laddas med angiven laddare för batteriet. En laddare som lämpar sig för en typ av batteri kan orsaka brand om den används tillsammans med en annan typ av batteri.
7. Använd endast särskilt avsedda batterier i den batteridrivna radion. Om andra batterier används kan risk för brand uppstå.
8. När batteripaketet inte används, håll det borta från andra metallföremål såsom: pappersklämmor, mynt, nycklar, spikar, skruvar, eller andra små metallföremål som kan skapa kontakt från den ena polen till den andra. Kortslutning av batteripoolerna kan orsaka gnistor, brännskador eller brand.
9. Undvik kroppskontakt med jordade ytor som till exempel rör, element, spisar och kylskåp. Det finns en ökad risk för elektriska stötar om din kropp är jordad.
10. Under hårda förhållande kan det komma vätska ur batteriet. Undvik kontakt. Spola med vatten om kontakt ändå råkar uppstå. Om du får vätska i ögonen ska läkare uppsökas omedelbart. Vätska från batteriet kan orsaka hudirritation eller ge brännskador.
11. Använd inte ett batteripaket eller verktyg som är skadat eller modifierat. Skadade eller modifierade batterier kan uppvisa oförutsägbart beteende som leder till brand, explosion eller risk för skada.
12. Utsätt inte ett batteri eller ett verktyg för eld eller hög temperatur. Exponering för brand eller temperatur över 130° C kan orsaka explosion.
13. Följ alla laddningsanvisningar och ladda inte batteriet eller verktyget utanför det temperaturområde som anges i anvisningarna. Om du laddar felaktigt eller vid temperaturer utanför det angivna området kan det skada batteriet och öka risken för brand.
14. Stickproppen används som fränkopplingsanordning och den skall vara lätt åtkomlig
15. Använd inte produkten vid hög volym under längre perioder. För att undvika hörselskador, använd produkten vid måttlig volymnivå
16. (Endast för produkter med LCD-skärm) LCD-skärmarna innehåller vätska som kan orsaka irritation

och förgiftning. Om vätskan kommer in i ögonen, munnen eller på huden, skölj med vatten och kontakta läkare

17. Utsätt inte produkten för regn eller väta. Vatten som kommer in i produkten ökar risken för elektriska stötar
18. Denna produkt är inte avsedd att användas av personer (inklusive barn) med nedsatt fysisk, sensorisk eller mental förmåga, eller brist på erfarenhet och kunskap, såvida de inte har fått tillsyn eller instruktioner om användningen av produkten av en person som ansvarar för deras säkerhet. Barn bör övervakas för att säkerställa att de inte leker med produkten. Förvara produkten utom räckhåll för barn.

## SPARA DESSA ANVISNINGAR

### SPECIFIKA SÄKERHETSANVISNINGAR

#### FÖR BATTERIKASSETT

1. Läs anvisningarna och varningarna noga på (1) batteriladdaren, (2) batteriet och (3) produkten som använder batteriet innan användning av batterikassetten.
2. Ta inte isär batterikassetten.
3. Om drifttiden blir ovanligt kort, upphör då med användningen. Det kan annars resultera i överhettning, eventuella brännskador och explosion.
4. Om du får elektrolyt i ögonen skölj då noga med rent vatten och uppsök omedelbart läkare. Det kan annars resultera i förlorad syn.
5. Kortslut inte batterikassetten:
  - (1) Rör inte plintarna med något ledande material.
  - (2) Undvik att förvara batterikassetten i en behållare med andra metallföremål så som spikar, mynt etc.
  - (3) Utsätt inte batteriet för vatten eller regn. En batterikortslutning kan orsaka ett stort strömflöde, överhettning, eventuella brännskador och maskinhaveri.
6. Förvara inte redskapet eller batterikassetten på en plats där temperaturen kan nå eller överstiger 50°C (122°F).
7. Elda inte upp batterikassetten även om den är väldigt skadad eller helt utsliten. Batterikassetten kan explodera vid brand.
8. Var försiktig så att du inte råkar tappa eller slå till batteriet.
9. Använd inte ett skadat batteri.
10. För att undvika risker ska man i förväg läsa handboken för det utbytbara batteriet. Och batteriets maximala urladdningsström ska vara minst 8 A.
11. De inbyggda litiumjonbatterierna omfattas av kraven på farligt godslagstiftning. För kommersiella

transporter, t.ex. av tredje part, speditörer, så måste särskilda krav på förpackning och märkning följas. För att förbereda produkten som skickas, krävs en expert på farligt material. Observera också eventuellt mer detaljerade nationella bestämmelser. Tejpa eller täck över öppna kontakter och packa batteriet på ett sådant sätt att det inte kan röra sig i förpackningen.

12. Följ de lokala föreskrifterna om bortskaffande av batterier.
13. Använd endast batterierna med de produkter som anges av Makita. Installation av batterierna till produkter som inte uppfyller kraven kan leda till brand, överhettning, explosion eller elektrolytläckage..

#### ⚠ FÖRSIKTIGHET:

- Batteriet kan explodera om det är felaktigt isatt.
- Byt endast ut det mot ett nytt av motsvarande typ.
- Använd endast äkta Makita-batterier. Användning av icke-äkta Makita-batterier eller batterier som har modifieras kan leda till att batteriet spricker, vilket kan orsaka bränder, personskador och andra skador. Det kommer också att upphäva Makita-garantin för Makita-verktyget och laddaren.

#### Tips för att upprätthålla maximal batteritid

1. Ladda batterikassetten innan den är helt urladdad. Stoppa alltid verktygsdrift och ladda batterikassetten när du märker mindre verktygsström.
2. Ladda aldrig en fulladdad batterikasset. Överladdning förkortar batteriets livslängd.
3. Ladda batteripatronen vid rumstemperatur 10°C - 40°C (50°F - 104°F). Låt en varm batterikasset svalna innan du laddar den.
4. Ladda batterikassetten om du inte tänker använda den under en längre period (mer än sex månader).

# DRIFTSTID

\* Nedanstående tabell visar drifttid från en uppladdning.

Batterikapacitet	Batterikassettsens spänning					AT HÖGTALAREFFEKT = 100mW Enhet: Timmar (Cirka)	
	7,2 V	10,8 V	10,8 V – Max. 12V	14,4 V	18 V	I radion eller AUX	I radion med USB-laddning (1,0A)
1,0 Ah	BL7010					5,0	0,7
1,3 Ah		BL1013				7,0	0,9
				BL1415		5,5	1,7
					BL1815	6,0	1,9
1,5 Ah	BL0715					7,5	1,0
			BL1015 BL1016			8,5	1,7
				BL1415N		7,0	2,0
					BL1815N	7,5	2,0
2,0 Ah			BL1020B BL1021B			11	2,0
					BL1820 BL1820B	10	3,0
3,0 Ah				BL1430 BL1430B		12	3,5
					BL1830 BL1830B	14	4,0
4,0 Ah			BL1040B BL1041B			21	4,0
				BL1440		19	5,5
					BL1840 BL1840B	20	6,0
5,0 Ah				BL1450		23	6,5
					BL1850 BL1850B	26	8,0
6,0 Ah				BL1460B		25	7,5
					BL1860B	31	9,5

□ : Klusterbatteri    □ : Glidbatteri

## ⚠ VARNING:

Använd endast batterierna som anges ovan. Användning av andra batterikassetter kan orsaka skada och/eller brand.

## Obs!

Tabellen angående batteridrifstiden ovan är som referens. Den verkliga driftstiden kan skilja sig från batterityp, laddningstillstånd eller användarmiljö.

# INSTALLATION OCH STRÖMFÖRSÖRJNING

## ⚠ VARNING:

- Var försiktig så att du inte klämmer fingrarna när du öppnar och stänger batteriluckan.
- Sätt tillbaka batterifacket till originalpositionen, efter att du har installerat eller tagit bort batterikassetten. Om inte, kan batterikassetten av misstag falla ut ur radion och orsaka skada på dig eller någon omkring dig.
- Stäng alltid och lås batterifacket innan du flyttar radion.
- Stäng alltid av radion innan du tar ur batterikassetten.
- Var noga med att inte tappa eller slå på radion. En skadad kåpa kan skära upp fingret eller sticka in i din kropp. Skadad radio kan uppvisa oförutsägbart beteende som kan leda till brand, explosion eller risk för andra skador.

## VIKTIGT:

- Minskad ström, förvrängning, "stammande ljud" eller när "POWERFAIL" visas på displayen är alla tecken på att batterikassetten behöver bytas ut.
- Batterikassetten kan inte laddas via den medföljande nätadaptern.
- Batterikassetten ingår inte som standardtillbehör.

## Installation och avlägsnande av glidbatterikassett (Fig. 2 & 3)

1. Installera batterikassetten genom att rikta in tungan på batterikassetten mot spåret i höljet och skjut den på plats. Tryck alltid in batterikassetten ordentligt tills den låser fast med ett klick.
2. Om du kan se den röda indikatorn på knappens ovansida är den inte ordentligt låst. För in den helt tills den röda indikatorn inte längre syns. I annat fall kan den oväntat falla ur radion och skada dig eller någon annan.
3. Ta inte i för hårt när du sätter i batterikassetten. Om kassetten inte lätt glider på plats är den felaktigt införd.
4. För att ta bort batterikassetten, skjut den från radion medan du trycker på knappen på kassettsens framsida.

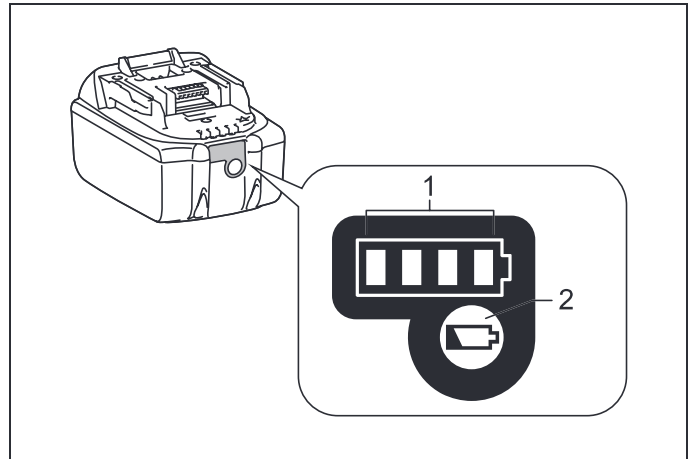
## Installation och avlägsnande av klusterbatterikassett (Fig. 4 & 5)

1. För in batterikassetten genom att rikta in tungan på batterikassetten med spåret i höljet och skjut den på plats.
2. Ta bort batterikassetten, ta ut batteriet från kontakten medan du håller in knapparna på kassettsens sida.

## Indikerar återstående batterikapacitet

\* Endast för batterikassetter med "B" i slutet av

modellnumret.



## ➤ 1. Indikatorlampor 2. Kontrollera knapp

Tryck på kontrollknappen på batterikassetten för att indikera återstående batterikapacitet. Indikatorlamporna lyser upp några sekunder.

## • 14,4V/18V batterier

Indikatorlampor			Återstående kapacitet
Tänd	Av	Blinkar	
■	■	■	75% ~ 100%
■	■	□	50% ~ 75%
■	■	□	25% ~ 50%
■	□	□	0% ~ 25%
▬	□	□	Ladda batteriet
■	■	□	Batteriet kan ha skadats
□	□	■	

## • 10,8V-12V max batterier

Indikatorlampor			Återstående kapacitet
Tänd	Av	Blinkar	
■	■	■	75% ~ 100%
■	■	□	50% ~ 75%
■	■	□	25% ~ 50%
■	□	□	0% ~ 25%

## NOTERA:

Beroende på användningsförhållanden och

omgivningstemperaturen, kan indikationen skilja sig något från den faktiska kapaciteten.

## Användning av antennen (Fig. 1)

Räta upp antennen såsom visas i figuren.

## Användning av medföljande AC-adapter

Ta bort gummiskyddet och sätt in adapterkontakten i DC-uttaget på höger sida av radio.

Anslut adaptern till ett vanligt vägguttag.

När adaptern används, fränkopplas batteriet automatiskt.

### ⚠ VIKTIGT:

- **Koppla alltid ur nätadaptern helt innan du flyttar radion. Om nätadaptern inte är borttagen kan den orsaka en elektrisk chock.**
- **Dra aldrig eller släpa radion med adaptorsladden. Om inte, kan radion av misstag ramla ner och orsaka skada på dig eller någon omkring dig.**

### VIKTIGT:

- Nätadaptern används för att ansluta radion till elnätet. Stickkontakten som används för radion måste förbli tillgänglig under normal användning.
- För att koppla ur radion ska nätadaptern tas bort helt från vägguttaget.
- Använd endast nätadaptern som medföljer produkten eller specificeras av Makita.
- Håll inte i strömkabeln och sätt den i din mun. Om du gör det kan det orsaka elektriska stötar.
- Rör inte strömkontakten med våta eller oljiga händer.
- Skadade eller tilltrasslade sladdar ökar risken för elektrisk stötat. Om sladden är skadad måste den bytas ut av vår auktoriserade servicecenter för att undvika en säkerhetsrisk. Använd den inte innan den är reparerad.
- Efter användning ska du alltid förvara nätadaptern utom räckhåll för barn. Om barn leker med sladden kan de drabbas av skador.

## Laddning med USB-strömförsörjningsport

Det finns en USB-port på radions framsida. Du kan ladda en USB-enhet via USB-porten.

1. Anslut USB-enheten, t.ex. en iPod, MP3- eller CD-spelare med en USB-kabel som finns i handeln.
2. Tryck på strömbrytaren för att slå på radion.
3. Oavsett om radion drivs med nätström eller batteri kan radion ladda USB-enheten när radion slås på och i FM/DAB-radioläge, BT-läge eller AUX-läge, vilket visas när en extern ljudkälla ansluts.

### Obs:

- Maximal volym för högtalarens uteffekt minskar under USB-laddning.
- USB-kontakten kan ge maximalt 1 A, 5 V med elektrisk ström.

### Viktigt:

- Innan du ansluter USB-enheten till USB-porten ska du

alltid säkerhetskopiera dina data på USB-enheten. Du riskerar i annat fall att förlora dina data.

- Radion strömmatar eventuellt inte vissa USB-enheter.
- Ta bort USB-kabeln och stäng locket om du inte använder enheten eller efter laddning.
- Anslut inte en strömkälla till en USB-port. Det finns i annat fall risk för brand. USB-porten är endast avsedd för laddning av enheter med lägre spänning. Placera alltid locket på USB-porten när du inte laddar en enhet med lägre spänning.
- För inte in en spik, vajer etc. i USB-strömförsörjningsporten. Om så sker kan det orsaka kortslutning och ge upphov till rök och brand.
- Anslut inte denna USB-kontakt till USB-porten på en dator eftersom det är troligt att enheterna går sönder.

## LYSSNA PÅ RADIO

Denna radio har tre olika stationsinställningsmetoder – automatisk stationsinställning, manuell stationsinställning och återkallande av minnesförinställda stationer.

### Välja en station – DAB

1. Tryck på strömbrytaren för att slå på radion.
2. Välj önskat DAB-läge genom att trycka på bandknappen.
3. Tryck på knappen för avancerad inställning och vrid Volym/Stationsinställning/Val-ratten tills "Station List" blinkar på skärmen. Tryck på Volym/Stationsinställning/Val-ratten för att öppna stationslistan.
4. Vrid Volym/Stationsinställning/Val-ratten för att söka igenom listan med tillgängliga stationer. Tryck på ratten för att välja station.
5. Justera till önskad volym genom att vrida Volym/Stationsinställning/Val-ratten.

### Visningslägen – DAB

Radion har en rad visningsalternativ i DAB-läge: Tryck på infoknappen för att gå igenom de olika alternativen som visas med följande bokstäver (a. till g.).

- |                        |   |
|------------------------|---|
| a. Stationsnamn        | Visar namnet på den station som du lyssnar på.                                |
| b. Programtyp          | Visar vilken typ av station du lyssnar på. T.ex. pop, klassiskt, nyheter etc. |
| c. Multiplexnamn       | Visar namnet på den DAB-multiplex som den aktuella stationen tillhör.         |
| d. Klockslag och datum | Visar aktuell tid och datum.  |
| e. Frekvens och kanal  | Visar frekvensen och kanalnumret för aktuell inställd DAB-station.            |

- f. Överföringshastighet/  
Ljudtyp      Visar den digitala  
överföringshastigheten för  
ljud och ljudtyp för aktuell  
inställd DAB-station.
- g. Signalstyrka      Visar signalstyrkan för aktuell  
inställd DAB-station.

## Sök efter nya stationer – DAB

Då och då kan nya DAB-radiostationer bli tillgängliga. Eller du har kanske flyttat till en annan del av landet. Då kan du behöva aktivera din radio så att den söker efter nya stationer.

Vi rekommenderar att du gör en full sökning av hela DAB Band III-frekvenserna för att radion ska kunna hitta tillgängliga stationer.

1. Tryck på auto-stationsinställningsknappen.
2. Din radio utför nu en full sökning av DAB-frekvenserna. Allteftersom nya stationer hittas, ökar stationsräknaren till vänster på displayen och stationer läggs till i listan.

## Manuell stationsinställning – DAB

Manuell stationsinställning låter dig ställa in din radio till en bestämd DAB-frekvens på Band III. Denna funktion kan också användas för att hjälpa dig att ställa in antennen eller radion för att optimera mottagningen för en speciell kanal eller frekvens.

1. Tryck på knappen för avancerad inställning och vrid Volym/Stationsinställning/Val-ratten tills "Manual Tune" visas på displayen. Tryck på Volym/Stationsinställning/Val-ratten för att öppna manuell stationsinställningsläge.
2. Vrid Volym/Stationsinställning/Val-ratten för att välja önskad DAB-kanal. Tryck på Volym/Stationsinställning/Val-ratten för att bekräfta vald frekvens.

## Ställ in stationsordning – DAB

Din radio har 3 stationsordningsinställningar från vilka du kan välja. Stationsordningsinställningarna är alfanumerisk, ensemble och giltig station.

1. Tryck på knappen för avancerad inställning.
2. Vrid Volym/Stationsinställning/Val-ratten tills "Station order" visas på displayen, tryck sedan på Volym/Stationsinställning/Val-ratten för att öppna inställningen.
3. Vrid Volym/Stationsinställning/Val-ratten för att välja följande alternativ och tryck på ratten för att bekräfta inställningen.

Alfanumerisk	Sorterar stationslistan alfanumeriskt 0...9 A...Z
Ensemble	Organiserar stationslistan med DAB-multiplex
Giltig	Visar endast de stationer där en signaler hittas

## Dynamisk omfångskontroll av ljud (DRC) – DAB

DRC-funktionen kan göra lägre ljud lättare att höra när din radio används på en bullrig plats genom att minska ljudsignalens dynamiska omfång. Det finns tre nivåer av komprimering:

DRC 0	Ingen komprimering tillämpas.
DRC 1/2	Medelkomprimering tillämpas.
DRC 1	Maximal komprimering tillämpas.

1. Tryck på strömbrytaren för att slå på radion.
2. Tryck på bandknappen för att välja DAB-bandet.
3. Tryck på knappen för avancerad inställning och vrid Volym/Stationsinställning/Val-ratten tills "DRC Value" visas på displayen. Tryck sedan på Volym/Stationsinställning/Val-ratten för att öppna inställningen. Displayen visar aktuellt DRC-värde.
4. Vrid Volym/Stationsinställning/Val-ratten för att välja önskad DRC-inställning.
5. Tryck på Volym/Stationsinställning/Val-ratten för att bekräfta inställningen.

## Automatisk stationsinställning – FM

1. Tryck på strömbrytaren för att slå på radion.
2. Välj önskat frekvensband genom att trycka på bandknappen. Kontrollera att antennen har placerats för bästa FM-mottagning. Försök undvika att använda radion intill en dataskärm och annan utrustning som orsakar radiostörningar.
3. Tryck på auto-stationsinställningsknappen och radion söker och stoppar automatiskt när den hittar en radiostation. Radion fortsätter att söka efter nästa tillgängliga station om inte användaren trycker på auto-stationsinställningsknappen för att stoppa sökningen.
4. Vrid Volym/Stationsinställning/Val-ratten för att få önskad ljudnivå. Förändringar i ljudstyrka visas på LCD-displayen.
5. Tryck på strömbrytaren för att stänga av radion.

## FM sök område

Vid användning av FM-läge kan din radio ställas in så att den söker antingen lokala stationer eller alla stationer inklusive avlägsna radiostationer.

1. Tryck på strömbrytaren för att slå på radion.
2. Tryck på bandknappen för att välja FM-bandet.
3. Tryck på Avancerad inställningsknappen och vrid sedan Volym/Inställningskontroll/Välj -ratten tills "FM Scan Zone" visas på displayen. Tryck på Volym/Inställningskontroll/Välj -ratten för att gå till inställningen.
4. Vrid på Volym/Inställningskontroll/Välj -ratten för att växla mellan "Lokala" (endast starka stationer) och "Distans" (Alla stationer) på den nedre raden på skärmen. Med alternativet Distans kan radion hitta svagare signaler vid scanning.

- Tryck på Volym/Inställningskontroll/Välj -ratten för att bekräfta inställningen. Inställningen Lokal eller Distans lagras i radion och förblir i lagrad tills den ändras eller vid Systemåterställning.

### Manuell stationsinställning – FM

- Tryck på strömbrytaren för att slå på radion.
- Tryck på bandknappen för att välja önskat frekvensband. Justera antennen enligt instruktionerna ovan.
- Genom att vrida Volym/Stationsinställning/Val-ratten ändras frekvensen enligt följande: FM: 50 kHz

#### Obs:

För att hitta önskad station genom att använda Volym/Stationsinställning/Val-ratten ska du trycka på in Volym/Stationsinställning/Val-ratten för att växla till stationsinställningsläget.

- Fortsätt vrida på Volym/Stationsinställning/Val-ratten tills önskad frekvens visas på displayen.
- Vrid Volym/Stationsinställning/Val-ratten för att få önskad ljudnivå.
- Tryck på strömbrytaren för att stänga av radion.

### Visningslägen – FM (RDS)

Radion har en rad av visningsalternativ för FM-radioläge. Tryck upprepade gånger på Info-knappen för att visa RDS-informationen (Radio Data System) för den station du lyssnar på.

- |                        |  |
|------------------------|--|
| a. Programstation      | Visar namnet på den station du lyssnar på.                                 |
| b. Frekvens            | Visar frekvensen för FM-signalen.  |
| c. Radiotext           | Visar textmeddelanden såsom ny information etc.                            |
| d. Programtyp          | Visar typen av station som du lyssnar på såsom pop, klassisk, nyheter etc. |
| e. Klockslag och datum | Visar aktuell tid och datum.   |

### Spara stationer i förinställda minnen (DAB och FM)

Det finns 5 minnesförinställningar för varje våglängdsområde.

- Tryck på strömbrytaren för att slå på radion.
- Ställ in radion på önskad station med hjälp av de metoder som tidigare beskrivits.
- Tryck och håll in önskad förinställningsknapp tills det förinställda numret visas på displayen t.ex. "P2 Saved". Stationen sparas sedan på förinställningsknappen.
- Upprepa denna procedur för kvarvarande förinställningar.
- Stationer som finns sparade i förinställda minnen kan skrivas över genom att följa procedurerna som beskrivits ovan.

### Återkalla stationer i förinställda minnen (DAB och FM)

- Tryck på strömbrytaren för att slå på radion.
- Tryck på bandknappen för att välja önskat frekvensband.
- Tryck kort på önskad förinställningsknapp. Tryck på förinställningsnumret och stationsfrekvensen kommer upp på skärmen.

### LYSSNA PÅ MUSIK VIA BLUETOOTH-STREAMING

Du måste para din Bluetooth-enhet med radion innan du automatiskt kan länka för att spela/strömma Bluetooth-musik via radion. Parning skapar en "bindning" så att två enheter kan känna igen varandra.

#### Notera:

För att få bättre ljudkvalitet rekommenderar vi att du ställer in volymen på mer än två tredjedelar på din Bluetooth-enhet och justerar sedan volymen på radion efter behov.

### Pairing your Bluetooth device for the first time

- Tryck på strömbrytaren för att slå på radion. Tryck på bandknappen för att välja Bluetooth-läge. Bluetooth-indikatorn på förinställningsknappen blinkar blått för att visa att radion är upptäckbar.
- Aktivera Bluetooth på enheten enligt enhetens instruktionsbok för att länka till radion. Leta efter listan över Bluetooth-enheter och välj den enhet som heter "DMR112." Med vissa mobiler (som är utrustade med tidigare versioner än BT2.1 Bluetooth-enhet), kan du behöva ange koden "0000".
- När en gång är ansluten kommer det att finnas ett bekräftelseljud och Bluetooth-indikatorn på förinställningsknappen kommer att förbli fast blå. Du kan helt enkelt välja och spela musik från din källanhet. Volymkontrollen kan justeras från din källanhet eller direkt på radion.
- Använd kontrollerna på din Bluetooth-aktiverade enhet eller på radion för att spela upp/pausa och navigera spår.

#### Notera:

- Om två Bluetooth-enheter, kopplas ihop för första gången, båda söker efter din radio, kommer den att visa sin tillgänglighet för båda enheterna. Men om man enhetslänkar med en enhet först, kommer den andra Bluetooth-enheten inte hitta den på listan.
- Om din Bluetooth-enhet är tillfälligt frånkopplad till din radio, måste du manuellt koppla in enheten igen till radion.
- Om "DMR112" visas på din Bluetooth-enhet listan men enheten kan inte ansluta med den, ska du ta bort objektet från listan och enheten kopplas samman med

radion igen, följ stegen som beskrivs ovan.

4. Optimalt Bluetooth-område är ungefär 10 meter (33 fot) (synlinje) till radion men avstånd upp till 30 meter (100 fot) är möjligt.
5. Om Bluetooth-anslutningen går förlorad på grund av att du överskrider avståndet, överstiger det optimala avståndet, hinder eller på annat sätt, kan du ansluta enheten igen med radion..
6. Fysiska hinder, andra trådlösa enheter eller elektromagnetiska enheter kan påverka anslutningskvaliteten.
7. Bluetooth-prestanda kan variera beroende på de anslutna Bluetooth-enheterna. Se Bluetooth-funktionerna i din enhet innan du ansluter till din radio. Alla funktioner kanske inte stöds på vissa ihopkopplade Bluetooth-enheter.

### Spela upp ljudfiler i Bluetooth-läge

När du har anslutit radion med den valda Bluetooth-enhet kan du börja spela din musik med hjälp av kontrollerna på den anslutna Bluetooth-enheten.

1. När du börjat spela justera volymen till önskad inställning med hjälp av volymknapparna på din radio eller på din aktiverade Bluetooth-enhet.
2. Använd reglagen på enheten för att spela upp/pausa och navigera spår.

#### Notera:

1. Att inte alla uppspelningsprogram eller enheter kan svara på alla dessa kontroller.
2. Vissa mobiltelefoner kan tillfälligt koppla från radion när du ringer eller tar emot samtal. Vissa enheter kan tillfälligt stänga sin Bluetooth audio streaming när de tar emot textmeddelanden, e-post eller av andra skäl inte är relaterade till ljud streaming. Sådana beteenden är en funktion av den anslutna enheten och tyder inte på något fel med din radion.

### Playing a previously-paired Bluetooth source device

Din radio kan lagra upp till 8 uppsättningar av parade enheter, när minnet överstiger detta belopp, kommer den äldsta ihopkopplingen i historiken vara överskriven. Om din Bluetooth-enhet som redan parats ihop med radion tidigare kommer enheten memorera din Bluetooth-enhet och den försöker att återansluta med en anordning i minnet som är sist ansluten. Om den sista anslutna enheten inte är tillgänglig, kommer radion kunna upptäckas.

### Koppla bort din Bluetooth-enhet

Tryck och håll in Bluetooth-parningsknappen i 2-3 sekunder för att koppla från din Bluetooth-enhet. Bluetooth-indikatorn på förinställningsknappen blinkar i blått vilket indikerar att radion kan upptäckas igen för parning.

## AUXILIARY INPUT-UTTAG

Två 3,5 mm stereo AUX ingångar finns. En är på framsidan av din radio (AUX IN 1); den andra är placerad i batterifacket (AUX IN 2).

1. Anslut en extern ljudkälla (till exempel, iPod, MP3 eller CD-spelare) till AUX ingången via en ljudkabel.
2. Tryck upprepade gånger på bandknappen tills "AUX IN 1" eller "AUX IN 2" visas, då aktiveras AUX-funktionen.
3. För att få bättre ljudkvalitet rekommenderar vi att du ställer in volymen på mer än två tredjedelar på din ljudenhet och justerar sedan volymen på radion efter behov.

#### OBS:

Ljudkabel ingår inte som standard tillbehör.

## ANDRA INSTÄLLNINGAR

### Språkalternativ

Det finns åtta språkalternativ tillgängliga i radion:

Engelska, tyska, italienska, franska, holländska, danska, norska och polska.

1. Tryck på knappen för avancerad inställning.
2. Vrid Volym/Stationsinställning/Val-ratten tills "Language" visas på displayen. Tryck på Volym/Stationsinställning/Val-ratten för att öppna inställningen.
3. Vrid Volym/Stationsinställning/Val-ratten för att välja önskat språk. Tryck på Volym/Stationsinställning/Val-ratten för att bekräfta inställningen.

### Ljusreglering

Ljus knappen kan justeras.

1. Tryck på knappen för avancerad inställning.
2. Roter Volym/Inställningskontroll/Välj -ratten tills "Knappljus" visas på displayen. Tryck på Volym/Inställningskontroll/Välj -ratten för att gå till inställningen.
3. Vrid på Volym/Inställningskontroll/Välj -ratten för att välja "På" eller "Av" för att aktivera eller inaktivera knappljusfunktionen och tryck sedan på Volym/Inställningskontroll/Välj -ratten för att bekräfta inställningen.

### Systemåterställning

Om din radio inte fungerar korrekt eller om några siffror på displayen saknas eller är ofullständiga, ska följande procedur utföras.

1. Tryck på knappen för avancerad inställning.
2. Vrid Volym/Stationsinställning/Val-ratten tills "Factory Reset" visas på displayen. Tryck på Volym/Stationsinställning/Val-ratten för att öppna inställningen.
3. Vrid Volym/Stationsinställning/Val-ratten för att välja "Yes". Tryck på Volym/Stationsinställning/Val-ratten för att bekräfta inställningen och en full återställning utförs.

## Mjukvaruversion

1. Tryck på knappen för avancerad inställning.
2. Vrid Volym/Stationsinställning/Val-ratten tills "SW Version" visas på displayen. Tryck på Volym/Stationsinställning/Val-ratten för att se vilken mjukvaruversion som är installerad i radion.

## Mikro-USB-port för mjukvaruuppgradering

Mjukvaruuppdateringar för din radio kan finnas tillgängliga i framtiden.

När mjukvaruuppdateringar blir tillgängliga kan mjukvara och information om hur du uppdaterar din radio hittas på **Makitas webbplats**.

## UNDERHÅLL

### **FÖRSIKTIGHET:**

**Använd inte bensin, thinner, alkohol eller liknande. Missfärgning, deformation eller sprickor kan uppstå.**

## SPECIFIKATIONER

Strömkrav	
AC-adapter	12 V DC 1,2A, mittstiftet positivt
Batteri	Klusterbatteri: 7,2 V - 10,8 V Glidbatteri: 10,8 V - 18 V
Frekvensområde	FM 87,50 - 108 MHz DAB/DAB+ 174,928-239,200 MHz
DAB/DAB+ kanalblock	DAB (Band III) 5A-13F
Kompatibel standard	DAB/DAB+

Bluetooth®	
(Ordmärket och logotyperna Bluetooth® är registrerade varumärken som tillhör Bluetooth SIG, Inc.)	
Bluetooth-version	4,0
Bluetooth-profiler	A2DP/SCMS-T
Överföringseffekt	Power Class2
Överföringsområde	Optimum: Max.10 meter (33 fot) Möjlig: Max. 30 meter (100 fot) (varierar beroende på användningsförhållandena)
Kodek som stöds	SBC,AAC
Kompatibel Bluetooth-profil	A2DP
Driftsfrekvens	BT EDR: 3,12dBm BT LE: 2,31dBm
Operating Frequency	2402MHz~2480MHz

Egenskaper	
Högtalare	3,5 tum 32 ohm x 2
Uteffekt	7,2 V: 0,6 W X 2 12Vmax: 1,7 W X 2 14,4 V: 3 W X 2 18 V: 4,9 W X 2
Ingång för extern enhet	3,5 mm dia. (AUX IN1/AUX IN2)
Antennsystem	DAB/FM: antenn
Mått (L x B x H)	282 x 163 x 294 mm
Vikt	4,3KG (utan batteri)

## NORSK (Originalinstruksjoner)

### FORKLARING AV OVERSIKT (Fig. 1~5)

1. Gummiantenne
2. Batterikammerlås
3. Håndtak
4. Deksel til batterikammer  
(dekker til batteripatronene)
5. Inngang for vekselstrøm
6. Høytaler
7. På/Av-knapp
8. Knapp for båndfrekvens
9. Knapp for avanserte innstillinger
10. Knapp for informasjon
11. Forhåndsinnstillingsknapp 2-3
12. Autoinnstillingsknapp
13. Volum-/Innstillingskontroll-/Valgknapp
14. USB-strømforsyningsport
15. 3,5 mm diameter (AUX IN 1)
16. Forhåndsinnstillingsknapp 1/  
Knapp for Bluetooth-paring
17. LCD-skjerm
18. Inngangsterminal (AUX IN 2)
19. Batterikammer
20. Micro USB-port for software-oppdatering
21. Batteripatron

### SYMBOLER

Nedenfor ser du symbolene som brukes for dette utstyret. Forsikre deg om at du forstår hva de betyr, før du begynner å bruke verktøyet.



Les bruksanvisningen.



Kun for EU-land

Kast aldri elektriske produkter eller batteripakker i husholdningsavfallet! I henhold til EU-direktivene om kasserte elektriske og elektroniske produkter, og om batterier og akkumulatører og brukte batterier og akkumulatører og direktivenes implementering i nasjonal rett, må elektriske produkter og batterier og batteripakker som ikke lenger skal brukes, samles separat og returneres til et miljøvennlig gjenvinningsanlegg.

## VIKTIGE SIKKERHETSINSTRUKSJONER

### ⚠ ADVARSEL:

Når du bruker elektrisk verktøy, må du alltid følge de grunnleggende sikkerhetsanvisningene, inklusive de nedenstående. Dette vil redusere faren for brann, elektrisk støt og personskader.

1. Les grundig gjennom denne bruksanvisningen og bruksanvisningen for laderen før bruk.
2. Rengjør bare med en ren klut.
3. Installer ikke nær varmekilder som for eksempel radiatorer, varmemålere, varmeovner eller annet utstyr (inkludert forsterkere) som produserer varme.
4. Bruk bare festeanordninger/tilleggsutstyr som er spesifisert av produsenten.
5. Trekk ut kontakten til apparatet ved lyn og torden, eller når apparatet ikke skal brukes over lengre tid.
6. En batteridrevet radio med integrerte batterier eller separat batteripakke må bare lades med den medfølgende laderen. En lader som passer til én batteritype, kan være brannfarlig når den brukes med en annen batteritype.
7. Bruk den batteridrevne radioen kun med spesifikt angitte batteripakker. Bruk av alle andre batterier kan føre til brannfare.
8. Når batteriet ikke er i bruk, må du holde det unna metallgjenstander som binders, mynter, nøkler, spiker, skruer og andre små metallgjenstander som kan skape forbindelse mellom de to polene. Hvis batteripolene kortsluttes, kan du få brannskår, eller det kan begynne å brenne.
9. Unngå kroppskontakt med jordede overflater, som rør, radiatorer, komfyrer og kjøleskap. Hvis kroppen din er jordet, er risikoen større for at du får elektrisk støt.
10. Hvis batteriet utsettes for hardhendt bruk, kan væske komme til å sprute fra batteriet. Unngå kontakt med væsken. Hvis du kommer i kontakt med batterivæske, må du skylle med vann. Hvis du får batterivæske i øynene, må du i tillegg oppsøke lege. Væske fra batteriet kan forårsake irritasjon eller forbrenninger.
11. Ikke bruk bateripatroner eller enheter som er skadet eller modifisert. Skadde eller modifiserte batterier kan opptre uforutsigbart og kan medføre brann, eksplosjon eller skade.
12. Utsett ikke batteriet eller enheten for ild eller høye temperaturer. Det er fare for eksplosjon hvis batteriet utsettes for ild eller temperaturer over 130 °C
13. Følg alle ladeinstruksjoner og lad ikke bateripatronen eller enheten hvis temperaturen er høyere eller lavere enn temperaturområdet som er spesifisert i instruksjonene. Feilaktig lading eller lading ved temperaturer utenfor det gitte området kan skade batteriet og øke brannfaren.

14. Støpselet brukes som frakoblingsenhet og skal være lett tilgjengelig
  15. Ikke bruk høyt volum over lang tid. For å unngå hørselsskader, vennligst bruk produktet ved et moderat volum.
  16. (Angående produkter med LCD-skjerm) LCD-skjerm inneholder væske som kan medføre irritasjon og forgiftninger. Vask området godt og oppsøk legehjelp hvis væsken kommer i kontakt med øyne, munn eller hud.
  17. Ikke utsett produktet for regn eller andre våte forhold. Hvis vann kommer inn i produktet øker det faren for elektrisk støt.
  18. Dette produktet er ikke beregnet for bruk av personer (inkludert barn) med reduserte fysiske, sensoriske eller mentale ferdigheter, eller som mangler erfaring og kunnskap om liknende produkter. Slike personer kan bruke produktet hvis de har blitt instruert i sikker bruk eller er under oppsyn. Barn bør alltid være under oppsyn ved bruk for å sikre at de ikke leker med produktet. Oppbevares utilgjengelig for barn.
7. Ikke sett fyr på batteriet, heller ikke selv om det er sterkt skadet eller helt oppbrukt. Batteriet kan eksplodere hvis det begynner å brenne.
  8. Vær forsiktig så du ikke mister batteriet eller utsetter det for slag.
  9. Ikke bruk et skadet batteri.
  10. For å unngå risiko skal bruksanvisningen for det utskiftbare batteriet leses før bruk. Og maks utladningsstrøm for batteriet skal være større enn eller lik 8 A.
  11. Lithium-ion batteriene går under lovgivingen om farlig gods. Ved kommersiell transport, f.eks. via en tredjepart, er det spesielle krav til pakking og merking som må overholdes.  
Ved forberedelse av produktet som skal fraktes, bør man forhøre seg med en ekspert på frakt av farlig gods. Vær oppmerksom på nasjonale regler for frakt av farlig gods.  
Dekk for åpne kontakter med teip og pakk batteriet slik at det ikke beveger seg rundt inni forpakningen.
  12. Følg lokale regler for kasting av batteriet.
  13. Bruk batteriet kun med spesifiserte produkter fra Makita. Bruk av batteriene i ikke-godkjente produkter kan føre til brann, overoppheting, eksplosjon eller lekkasje av elektrolytter.

## TA VARE PÅ DISSE INSTRUKSJONENE

### SPESIELLE SIKKERHETSREGLER

#### FOR BATTERIET

1. Før du bruker batteriet, må du lese alle instruksjoner og advarsler på (1) batteriladeren, (2) batteriet og (3) det produktet batteriet skal brukes i.
2. Ikke ta fra hverandre batteriet.
3. Hvis driftstiden er blitt vesentlig kortere, må du omgående slutte å bruke verktøyet. Hvis du ikke gjør det, kan dette føre til overoppheting, mulige forbrenninger og til og med en eksplosjon.
4. Hvis du får elektrolytt i øynene, må du skylle øynene med store mengder rennende vann og oppsøke lege med én gang. Denne typen uhell kan føre til varig blindhet.
5. Ikke kortslutt batteriet.
  - (1) Ikke berør batteripolene med ledende materialer.
  - (2) Ikke lagre batteriet i samme beholder som andre metallgjenstander, som for eksempel spiker, mynter osv.
  - (3) Ikke la batteriet komme i kontakt med vann eller regn. Kortslutning av batteriet kan føre til kraftig strømstøt, overoppheting, mulig forbrenning – og til og med havari.
6. Ikke lagre maskinen og batteriet på steder hvor temperaturen kan komme opp i 50 °C (122 °F) eller mer.

#### **FORSIKTIG:**

- Det er fare for eksplosjon hvis batteriet skiftes ut på feil måte.
- Skift kun ut med samme eller tilsvarende type.
- Bruk kun ekte Makita-batterier. Bruk av uekte Makita-batterier, eller batterier som har blitt modifisert, kan føre til at batteriet sprekker og medføre brann og personskade. Det vil også føre til at garantien for Makita-produktet og laderen blir ugyldig.

#### Tips for å vedlikeholde maksimum levetid for batteriet

1. Lad batteriet før det er fullstendig utladet. Stopp alltid bruken av verktøyet og lad batteriet når du merker at verktøyet har lite kraft.
2. Aldri lad en fulladet batterikassett. Overladning forkorter levetiden til batteriet.
3. Lad batterikassetten ved romtemperatur 10 °C - 40 °C. Hvis batterikassetten er varm, la den kjøle seg ned før lading.
4. Lad batterikassetten hvis du ikke bruker batteriet over lang tid (mer enn seks måneder).

# BRUKSTID

\* Tabellen under viser brukstiden etter en lading.

Batterikapasitet	Batterispennning					VED HØYTTALER OUTPUT = 100mW Enhet: Time (Tilnærmet)	
	7,2 V	10,8 V	10,8 V – 12V maks	14,4 V	18 V	I radio eller AUX	I radio med USB-lading (1,0A)
1,0 Ah	BL7010					5,0	0,7
1,3 Ah		BL1013				7,0	0,9
				BL1415		5,5	1,7
					BL1815	6,0	1,9
1,5 Ah	BL0715					7,5	1,0
			BL1015 BL1016			8,5	1,7
				BL1415N		7,0	2,0
					BL1815N	7,5	2,0
2,0 Ah			BL1020B BL1021B			11	2,0
					BL1820 BL1820B	10	3,0
3,0 Ah				BL1430 BL1430B		12	3,5
					BL1830 BL1830B	14	4,0
4,0 Ah			BL1040B BL1041B			21	4,0
				BL1440		19	5,5
					BL1840 BL1840B	20	6,0
5,0 Ah				BL1450		23	6,5
					BL1850 BL1850B	26	8,0
6,0 Ah				BL1460B		25	7,5
					BL1860B	31	9,5

□ : Klassebatteri    □ : S Glidebatter

## ⚠ ADVARSEL:

**Bruk kun batteripatronene som star i listen over. Bruk av andre batteripatroner kan føre til skade og/eller brann.**

### Notis:

Tabellen over batterienes brukstid er kun ment som en referanse. Den egentlige brukstiden kan variere mellom forskjellige typer batterier, ladetilstanden eller bruksmiljøet.

# INSTALLASJON OG STRØMFORSYNING

## ⚠ ADVARSEL:

- Vær forsiktig så du ikke klemmer fingrene når du åpner og lukker batterikammerdekslet.
- Sett batterikammerdekslet på plass i den originale posisjonen etter installasjon eller fjerning av batteripatronen. Hvis ikke kan batteripatronen falle ut av radioen og forårsake skade til deg eller andre personer i nærheten.
- Lukk og lås alltid batterikammerdekslet før du flytter på radioen.
- Slå alltid av radioen før du installerer eller fjerner batteripatronen.
- Vær forsiktig og ikke slipp radioen eller treffe radioen med gjenstander. Et knust deksel kan gi kuttskader på finger eller stikkskader på kropp. En skadet radio kan forårsake brann, eksplosjon eller fare for kroppsskade.

## VIKTIG:

- Redusert volum, forvrengt lyd, "knitrelud" eller når "POWERFAIL" vises på skjermen, er alle indikasjoner på at hovedbatteriet må byttes ut.
- Batteripatronen kan ikke lades via den medfølgende strømadapteren.
- Batteripatronen er ikke inkludert som standardtilbehør.

## Sette inn eller fjerne glidebatteriet (Fig. 2 og 3)

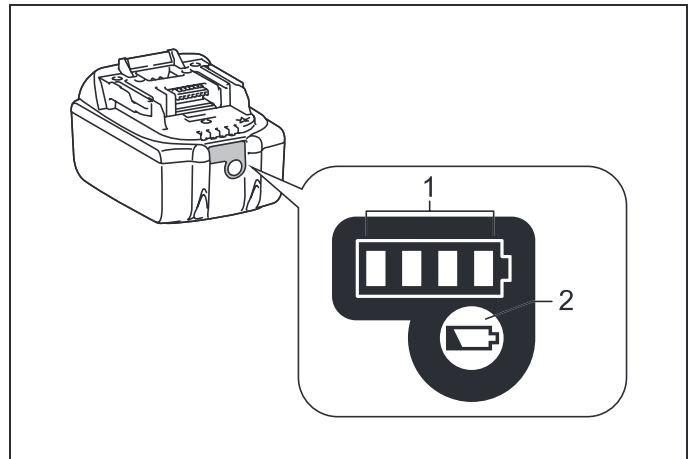
1. Når du skal sette inn batteriet, må du plassere tungen på batteriet på linje med sporet i huset og skyve batteriet på plass. Batteriet må alltid skyves helt inn til det går på plass med et lite klikk.
2. Hvis du kan se den røde indikatoren på oversiden av knappen, har batteriet ikke gått skikkelig i lås. Sett batteriet helt inn til den røde indikatoren ikke lenger er synlig. Hvis dette ikke gjøres, kan batteriet komme til å falle ut av radioen og skade deg eller andre som oppholder seg i nærheten.
3. Ikke bruk makt når du setter inn batteriet. Hvis batteriet ikke glir lett inn, er det fordi det ikke settes inn på riktig måte.
4. For å fjerne batteripatronen, dra den ut fra radioen samtidig som du drar knappen på framsiden av patronen.

## Sette inn eller fjerne klasebatteriet (Fig. 4 og 5)

1. Når du skal sette inn batteriet, må du plassere tungen på batteriet på linje med sporet i huset og skyve batteriet på plass.
2. For å ta ut batteriet, skyv det fra terminalen mens knappen på siden av batteriet trykkes ned.

## Indikerer resterende batterikapasitet

\* Kun for batterier med "B" på enden av modellnummeret.



### ➤ 1. Indikatorlamper 2. Sjekkeknapp

Trykk kontrollknappen på batteriet for å indikere resterende batterikapasitet. Indikatorlampene lyser opp i noen sekunder.

#### • 14,4V/18V batterier

Indikatorlamper			Gjenværende kapasitet
Belyst	Av	Blinker	
■	■	■	75% ~ 100%
■	■	□	50% ~ 75%
■	□	□	25% ~ 50%
■	□	□	0% ~ 25%
▣	□	□	Lad batteriet
■	■	□	Det kan ha skjedd en feil med batteriet
□	□	■	

#### • 10,8V-12V maks batterier

Indikatorlamper			Gjenværende kapasitet
Belyst	Av	Blinker	
■	■	■	75% ~ 100%
■	■	□	50% ~ 75%
■	□	□	25% ~ 50%
■	□	□	0% ~ 25%

## MERK:

Indikasjonen kan avvike fra den reelle kapasiteten avhengig av bruksforhold og temperatur.

## Installere gummiantennen (Fig. 1)

Installer gummiantennen som vist på figuren.

## Bruk av medfølgende vekselstrømadapter

Fjern gummibeskyttelsen og plasser adapterpluggen i strømforsyningsporten på radioens høyre side. Sett adapteren i en standard stikkontakt. Når adapteren brukes er batteripakken automatisk frakoblet.

### ⚠ ADVARSEL:

- **Frakoble alltid vekselstrømadapteren helt før du flytter på radioen. Hvis vekselstrømadapteren ikke er frakoblet, kan dette gi elektrisk støt.**
- **Aldri dra i adapterens strømkabel, da dette kan føre til at radioen faller og forårsaker skade på deg selv eller andre personer i nærheten.**

### VIKTIG:

- Stikkkontakten skal brukes for å koble radioen til strømkilden, som må være tilgjengelig under normal bruk.
- For å koble fra radioen, må støpselet kobles fullstendig fra stikkkontakten.
- Bruk kun støpsel som følger med produktet eller som er spesifisert av Makita.
- Ikke plasser støpselet eller strømkabelen i munnen. Dette kan medføre elektrisk støt.
- Ikke ta på stikkkontakten med våte eller fettete hender.
- Skadde eller viklede kabler øker risikoen for elektrisk støt. Bytt kablet på et autorisert servicesenter hvis den blir skadet for å forhindre en sikkerhetsrisiko. Ikke bruk den før den har blitt reparert.
- Lagre alltid støpselet tilgjengelig for barn når den ikke er i bruk. Hvis barn leker med kontakten kan de skade seg.

## Lade ved bruk av USB- strømforsyningsport

Det finnes en USB-port på forsiden av radioen. Du kan lade USB-enheten via USB-porten.

1. Koble til USB-enheten, som iPod, MP3 eller CD-spiller ved bruk av USB-kabelen som er tilgjengelig på markedet.
2. Trykk på På/Av-knappen for å slå på radioen
3. Uansett om radioen er strømdrevet eller batteridrevet, kan radioen lade USB-enheten når radioen er slått på og er i FM/DAB -radiomodus, BT-modus eller AUX-modus som kommer til syne når en ekstern lydkilde er koblet til.

### Merk:

- Maks. volum for batteristrømmen for høyttaleren øker

når USB lades.

- USB-inngangen gir maks. 1 A, 5 V elektrisk strøm.

### Viktig:

- Før du kobler USB-enheten til USB-porten, må du alltid ta sikkerhetskopii av all data på USB-enheten. Ellers kan data på USB-enheten gå tapt.
- Det kan hende at radioen ikke leverer strøm til noen USB-enheter.
- Når du ikke bruker USB-kabelen eller etter lading, må du fjerne USB-kabelen og lukke dekselet.
- Ikke koble strømkilden til USB-porten. Dette kan føre til brann. USB-porten skal kun brukes til lading av lavspenningsenheter. Plasser alltid dekselet på USB-porten når du ikke lader lavspenningsenheter.
- Ikke stikk spiker, ledning eller lignende inn i USB-strømforsyningsporten. Dette kan føre til kortslutning og røyk og brann.
- Ikke koble denne USB-inngangen til datamaskinens USB-port da det er svært sannsynlig at dette kan føre til havari for enhetene.

## LYTT TIL RADIOEN

Denne radioen har tre innstillingsmetoder – Skanneinnstilling, Manuell innstilling og Fremhenting via minne.

### Velge en kanal – DAB

1. Trykk på På/Av-knappen for å slå på radioen.
2. Velg DAB-modus ved å trykke på knappen for båndfrekvens.
3. Trykk på knappen for avanserte innstillinger, og vri på volum-/innstillingskontroll-/valgknappen til "Station List" blinker på skjermen. Trykk ned volum-/innstillingskontroll-/valgknappen for å se listen over kanaler.
4. Vri på volum-/innstillingskontroll-/valgknappen for å gå gjennom listen over kanaler. Trykk på knappen for å velge kanal.
5. Juster ønsket volum ved å dreie volum-/innstillingskontroll-/valgknappen.

### Visningsmodi – DAB

Radioen har en rekke visningsalternativer i DAB-modus: Trykk på Info-knappen for å bla gjennom de forskjellige alternativene som vises under følgende bokstaver (a. til g.).

- |                      |  |
|----------------------|--|
| a. Kanalnavn         | Viser navnet til kanalen du lytter til.                                    |
| b. Programtype       | Viser hvilken type kanal du lytter til, f.eks. Pop, Klassisk, Nyheter osv. |
| c. Multipleksnavn    | Viser navnet på DAB-multiplekset som kanalen tilhører.                     |
| d. Tid og dato       | Viser tidspunkt og dato.   |
| e. Frekvens og kanal | Viser frekvens og kanalnummer for DAB-kanalen du lytter til.               |

f. Bithastighet/lydtype	Viser bithastigheten for digital lyd og lydtype for DAB-kanalen du lytter til.
g. Signalstyrke	Viser signalstyrken for DAB-kanalen du lytter til.

## Finne nye kanaler – DAB

Nye DAB-kanaler kan bli tilgjengelige fra tid til annen. Eller du kan ha flyttet til et nytt område. I dette tilfellet må du kanskje få radioen til å søke etter nye kanaler. Hvis du vil få radioen til å finne tilgjengelige kanaler, anbefales det at du utfører en fullstendig skanning av alle DAB-bånd III-frekvensene.

1. Trykk på autoinnstillingsknappen.
2. Radioen vil utføre en fullstendig skanning av DAB-frekvenser. Etter hvert som nye kanaler blir funnet, vil kanal telleren til venstre på skjermen øke og kanaler vil bli lagt til i listen.

## Manuell innstilling – DAB

Med manuell innstilling kan du stille inn radioen til en bestemt DAB-frekvens i bånd III. Denne funksjonen kan også brukes til å avgjøre plassering av antennen eller radioen for å optimalisere mottak for en bestemt kanal eller frekvens.

1. Trykk på knappen for avanserte innstillinger, og vri på volum-/innstillingskontroll-/valgknappen til "Manual Tune" vises på skjermen. Trykk ned volum-/innstillingskontroll-/valgknappen for å gå inn i modus for manuell innstilling.
2. Drei volum-/innstillingskontroll-/valgknappen for å velge ønsket DAB-kanal. Trykk ned volum-/innstillingskontroll-/valgknappen for å bekrefte den valgte frekvensen.

## Konfigurasjon av kanalrekkefølge – DAB

Radioen har 3 innstillinger for kanalrekkefølge som du kan velge mellom. Valgene er alfanumeric, ensemble og valid station.

1. Trykk på knappen for avanserte innstillinger.
2. Vri på volum-/innstillingskontroll-/valgknappen til "Station order" vises på skjermen, og klikk deretter på volum-/innstillingskontroll-/valgknappen for å gå inn i innstillingen.
3. Vri på volum-/innstillingskontroll-/valgknappen for å velge mellom følgende alternativer og trykk ned knappen for å bekrefte innstillingen.

Alfanumerisk	Sorterer kanallisten alfanumerisk 0...9 A...Z
Ensemble	Organiserer kanallisten etter DAB multiplex
Gyldig	Viser kun de kanalene som det finnes et signal for

## Kontroll for dynamisk område (DRC) – DAB

DRC-funksjonen kan gjøre det enklere å høre svake lyder når radioen brukes i et støyende miljø ved å redusere det dynamiske spekteret til lydsignalet. Det er tre nivåer av komprimering:

DRC 0	Ingen komprimering brukes.
DRC 1/2	Medium komprimering brukes.
DRC 1	Maksimal komprimering brukes.

1. Trykk på På/Av-knappen for å slå på radioen.
2. Trykk på knappen for båndfrekvens for å velge DAB-bånd.
3. Trykk på knappen for avansert innstilling, og vri på volum-/innstillingskontroll-/valgknappen til "DRC Value" vises på skjermen. Trykk deretter ned volum-/innstillingskontroll-/valgknappen for å gå inn i innstillingen. Skjermen vil vise gjeldende DRC-verdi.
4. Drei volum-/innstillingskontroll-/valgknappen for å velge ønsket innstilling for DRC.
5. Trykk ned volum-/innstillingskontroll-/valgknappen for å bekrefte innstillingen.

## Skanneinnstilling – FM

1. Trykk på På/Av-knappen for å slå på radioen.
2. Velg ønsket båndfrekvens ved å trykke på knappen for båndfrekvens. Kontroller at gummi antennen er godt plassert for best mulig FM-mottak. Prøv å unngå bruk av radioen i nærheten av en dataskjerm og annet utstyr som kan forårsake interferens.
3. Trykk på autoinnstillingsknappen så vil radioen søke og stoppe automatisk når den finner en radiokanal. Radioen vil fortsette å søke etter neste tilgjengelige kanal med mindre brukeren trykker på autoinnstillingsknappen for å stoppe skanningen.
4. Drei volum-/innstillingskontroll-/valgknappen for å velge ønsket lydnivå. LCD-skjermen vil indikere det endrede lydnivået.
5. For å slå av radioen, trykk på På/Av-knappen.

## Skanningssone for FM

Når du bruker FM-modus, kan radioen stilles inn til å skanne enten lokale kanaler eller til å skanne alle kanaler inkludert fjerne radiokanaler.

1. Trykk på På/Av-knappen for å slå på radioen.
2. Trykk på knappen for båndfrekvens og velg FM-bånd.
3. Trykk på knapp for avanserte innstillinger og drei volum-/innstillingskontroll-/valgknappen til "FM Scan Zone" vises på skjermen. Trykk på volum-/innstillingskontroll-/valgknappen for utføre valget.
4. Drei volum-/innstillingskontroll-/valgknappen for å bytte mellom "Local" (stasjoner med sterke signal) og "Distant" (alle stasjoner) på den nedre linjen på skjermen. Distant-valget lar radioen finne svakere signaler under skanning.

5. Trykk på volum-/innstillingskontroll-/valgknappen for å utføre valget. Local- og Distant-valgene lagres på radioen og beholdes inntil de endres eller systemet gjenopprettes fra fabrikkinnstillinger.

## Manuell innstilling – FM

1. Trykk på På/Av-knappen for å slå på radioen.
2. Trykk knappen for båndfrekvens for å velge ønsket båndfrekvens. Juster antennen som beskrevet ovenfor.
3. Én enkelt dreining av volum-/innstillingskontroll-/valgknappen vil endre frekvensen i følgende intervaller:  
FM: 50 kHz

### Merk:

For å bruke volum-/innstillingskontroll-/valgknappen for å finne ønsket kanal, trykk på volum-/innstillingskontroll-/valgknappen for å endre til modus for innstillingskontroll.

4. Fortsett å vri på volum-/innstillingskontroll-/valgknappen inntil ønsket frekvens vises på skjermen.
5. Drei volum-/innstillingskontroll-/valgknappen for å velge ønsket lydnivå.
6. For å slå av radioen, trykk på På/Av-knappen.

## Visningsmodi – FM (RDS)

Radioen har en rekke skjermalternativer for FM-radiomodus.

Trykk på informasjonsknappen flere ganger på rad for å vise RDS-informasjon (Radiodatasystem) om radiostasjonen du lytter til.

- |                 |   |
|-----------------|---|
| a. Programkanal | Viser navnet til kanalen du lytter til.   |
| b. Frekvens     | Indicates the frequency of the FM signal.   |
| c. Radiotekst   | Viser en tekstmelding, f.eks. nye elementer osv.  |
| d. Programtype  | Indikerer hvilken type kanal du lytter til, for eksempel Pop, Klassisk, Nyheter og så videre. |
| e. Tid og dato  | Viser tidspunkt og dato.  |

## Lagre kanaler i forhåndsinnstilte minner (DAB og FM)

Det finnes 5 forhåndsinnstilte minner for hver båndfrekvens.

1. Trykk på På/Av-knappen for å slå på radioen.
2. Vri til ønsket kanal ved hjelp av en av de tidligere beskrevne metodene.
3. Trykk og hold nede ønsket forhåndsinnstillingsknapp til forhåndsinnstillingstallet som vises på skjermen, for eksempel "P2 Saved". Kanalen lagres deretter i den valgte forhåndsinnstillingsknappen.
4. Gjenta denne framgangsmåten for resten av forhåndsinnstillingene.
5. Kanaler som er lagret i forhåndsinnstilte minner, kan overskrives ved å følge ovennevnte framgangsmåte.

## Velge kanaler i forhåndsinnstilte minner (DAB og FM)

1. Trykk på På/Av-knappen for å slå på radioen.
2. Trykk knappen for båndfrekvens for å velge ønsket båndfrekvens.
3. Trykk på ønsket forhåndsinnstillingsknapp et øyeblikk. Det forhåndsinnstilte sifferet og stasjonsfrekvensen vil vises på skjermen.

## Lytt til musikk via Bluetooth-streaming

Du må pare Bluetooth-enheten din med radioen før du kan bruke auto-link til å spille av/strømme Bluetooth-musikk gjennom radioen. Paring lager en 'forbindelse' slik at de to enhetene kan gjenkjenne hverandre.

### Merk:

For å få bedre lyd kvalitet anbefaler vi at du stiller volumet på strømmeenheten din til minst to tredjedeler av maks volum, og deretter justerer lydnivået med radioen.

## Paring med Bluetooth-enhet for første gang

1. Trykk på På/Av-knappen for å slå på radioen. Trykk på båndfrekvensknappen for å velge Bluetooth-modus. Bluetooth-indikatoren på forhåndsinnstillingsknappen blinker med blått lys for å vise at radioen er klar for å pares.
2. Aktiver Bluetooth på enheten din ved å følge enhetens brukermanual for å koble til radioen. Finn Bluetooth-enhetslisten og velg enheten kalt 'DMR112.' På noen mobiler (Bluetooth-enheter som har tidligere versjoner enn BT2.1), kan det hende du må skrive inn passordet: "0000".
3. En bekreftelseslyd vil avspilles og Bluetooth-indikatoren på forhåndsinnstillingsknappen lyser blått når enheten blir tilkoblet. Du kan da enkelt velge og spille av musikk fra den tilkoblede kildeenheten. Volumet kan justeres fra kildeenheten eller direkte på radioen.
4. Bruk kontrollene på kilde-enheten eller kontrollene på radioen for å spille av/pause og bytte spor.

### Merk:

1. Hvis det er 2 Bluetooth-enheter under første paring, vil begge kunne oppdage radioen og vise radioen som tilgjengelig. Men hvis en av enhetene kobler til radioen først, så vil ikke den andre enheten kunne finne radioen på listen lenger.
2. Hvis Bluetooth-enheten din midlertidig kobles fra radioen, må du koble den til på nytt manuelt.
3. Hvis 'DMR112' vises i Bluetooth-enhetslisten men du ikke kan koble til, vennligst slett enheten fra listen og par enheten med radioen på nytt ved å følge trinnene over.
4. Optimal rekkevidde for Bluetooth-streaming er rundt 10

meter (30 fot) (åpen sikt) fra radioen men avstand opp til 30 meter (100 fot) er mulig.

5. Hvis Bluetooth-tilkoblingen blir frakoblet fordi enheten har vært separert for lenge, for langt unna eller er blokkert av hinder eller lignende, kan det bli nødvendig å koble til på nytt.
6. Fysiske hindringer, andre trådløse enheter eller elektromagnetiske enheter kan påvirke kvaliteten på tilkoblingen.
7. Kvaliteten til Bluetooth-tilkoblingen kan variere avhengende av Bluetooth-enhetene. Vennligst undersøk enhetens Bluetooth-egner før du kobler den til radioen. Det kan hende at ikke alle Bluetooth-enheter støtter alle funksjoner.

### Avspilling av lydfiler i Bluetooth-modus

Når du har koblet den ønskede enheten til radioen kan du begynne å spille av musikk med kontrollene på Bluetooth-enheten din.

1. Når avspillingen har startet kan du justere volumet til ønskede innstillinger ved å bruke volumknappene på radioen eller på den tilkoblede Bluetooth-enheten.
2. Bruk kontrollene på enheten din til å spille av/pause og bytte spor.

#### Merk:

1. Ikke alle avspillings-apper eller enheter kan reagere på alle kontrollene.
2. Noen mobiltelefoner kan midlertidig koble fra radioen når du ringer eller mottar anrop. Noen enheter kan midlertidig dempe Bluetooth-streamingen når de mottar tekst-meldinger, e-poster eller på grunn av andre grunner som ikke er relatert til streaming av lyd. Disse hendelsene skjer på grunn av den tilkoblede enheten og er ikke en indikasjon på et problem med radioen din.

### Avspilling på en tidligere parede Bluetooth-enhet

Radioen din kan huske opptil 8 parede enheter. Når minnet overgår denne mengden, vil den eldste parede enheten bli overskrevet. Hvis bluetoothenheten har blitt koblet til radioen før, vil radioen huske Bluetooth-enheten og prøve å koble til den enheten den sist var koblet til. Hvis den sist tilkoblede enheten ikke er tilgjengelig, vil radioen være tilgjengelig for paring.

### Frakobling av Bluetooth-enhet

Trykk og hold inn Bluetooth-pareknappen i 2-3 sekunder for å koble fra Bluetooth-enheten. Bluetooth-indikatoren på forhåndsinnstillingsknappen blinker med blått lys for å vise at radioen er klar for å pares igjen.

## 3,5 MM DIAMETER (AUX) INNGANG

Radioen har to 3,5 mm stereo AUX-innganger. Den ene er på framsiden av radioen (AUX IN 1); den andre er inni batterikammeret (AUX IN 2).

1. Koble en ekstern lydkilde (for eksempel iPod, MP3- eller CD-spiller) til AUX-inngangen med en lydkabel.
2. Trykk flere ganger på båndfrekvensknappen inntil "AUX IN 1" eller "AUX IN 2" vises, og AUX-funksjonen er aktivert.
3. For å få bedre lyd kvalitet anbefaler vi at du stiller volumet på mer enn to tredjedeler på lydenheten, og juster deretter volumet på radioen etter behov.

#### MERK:

Lydkabel er ikke inkludert som standardtilbehør.

## DIVERSE INNSTILLINGER

### Språkalternativer

Det finnes åtte alternativer for språk i radioen:

Engelsk, tysk, italiensk, fransk, nederlandsk, dansk, norsk og polsk.

1. Trykk på knappen for avanserte innstillinger.
2. Fortsett å vri på volum-/innstillingskontroll-/valgknappen inntil "Language" vises på skjermen. Trykk ned volum-/innstillingskontroll-/valgknappen for å bekrefte innstillingen.
3. Drei volum-/innstillingskontroll-/valgknappen for å velge ønsket språk. Trykk ned volum-/innstillingskontroll-/valgknappen for å bekrefte innstillingen.

### Lysstyrkekontroll

Knappelyset kan justeres.

1. Trykk på knappen for avanserte innstillinger.
2. Drei volum-/innstillingskontroll-/valgknappen til "Button Light" vises på skjermen. Trykk på volum/innstillingskontroll-/valgknappen for å gå inn i innstillingen.
3. Drei volum-/innstillingskontroll-/valgknappen for å velge mellom "På" eller "Av" for å aktivere eller deaktivere knappelysfunksjonen, og trykk deretter på volum/innstillingskontroll-/valgknappen for å bekrefte.

### Tilbakestilling av systemet

Hvis radioen din ikke fungerer riktig eller enkelte siffer på skjermen mangler eller er ufullstendige, utfør følgende.

1. Trykk på knappen for avanserte innstillinger.
2. Fortsett å vri på volum-/innstillingskontroll-/valgknappen inntil "Factory Reset" vises på skjermen. Trykk ned volum-/innstillingskontroll-/valgknappen for å bekrefte innstillingen.
3. Drei volum-/innstillingskontroll-/valgknappen for å velge "Yes". Trykk volum-/innstillingskontroll-/valgknappen for

å bekrefte innstillingen, og en full tilbakestilling vil bli utført.

## Programvareversjon

1. Trykk på knappen for avanserte innstillinger.
2. Fortsett å vri på volum-/innstillingskontroll-/valgknappen inntil "SW Version" vises på skjermen. Trykk på volum-/innstillingskontroll-/valgknappen for å vise programvareversjonen som er installert på radioen.

## Micro USB-port for oppgradering av programvare

Programvareoppdateringer for radioen kan bli tilgjengelige i fremtiden.

Når programvareoppdateringer blir tilgjengelige vil programvare og informasjon om hvordan du oppdaterer radioen finnes på **Makitas nettside**.

## VEDLIKEHOLD

### **FORSIKTIG:**

**Aldri bruk gasolin, bensin, tynner, alkohol eller lignende. Det kan føre til misfarging, deformering eller sprekkdannelse.**

## TEKNISKE DATA

Strømkrav	
Vekselstrømadapter	DC 12 V 1,2A, midtre pinne positiv
Batteri	Klasebatteri: 7,2 V - 10,8 V Glidebatteri: 10,8 V - 18 V
Frekvensområde	FM 87,50 - 108 MHz DAB/DAB+ 174,928-239,200 MHz
DAB/DAB+ Kanalblokk	DAB (Bånd III) 5A-13F
Kompatibel standard	DAB/DAB+

Bluetooth®	
(Bluetooth® ordmerke og logoer er registrerte varemerker for Bluetooth SIG, Inc.)	
Bluetooth-versjon	4,0
Bluetooth-profiler	A2DP/SCMS-T
Overføringseffekt	Power Class2
Overføringsrekkevidde	Optimal: Maks. 10 meter (33 fot) Mulig: Maks. 30 meter (100 fot) (varierer etter forholdene i bruksmiljøet)
Støttet kodek	SBC,AAC
Kompatibel Bluetooth -profil	A2DP
Maximal radiofrekvens effekt:	BT EDR: 3,12dBm BT LE: 2,31dBm
Driftsfrekvens	2402MHz~2480MHz

Kretsløpsfunksjon	
Høytaler	3,5 tommer, 32 ohm x 2
Utgangseffekt	7,2 V: 0,6 W X 2 12V maks:1,7 W X 2 14,4 V: 3 W X 2 18 V: 4,9 W X 2
Inngangsterminal	3,5 mm diameter (AUX IN1/AUX IN2)
Antennesystem	DAB/FM: gummiante
Mål (L x B x H)	282 x 163 x 294 mm
Vekt	4,3KG (uten batteri)

## SUOMI (Alkuperäiset ohjeet)

### KAAVAKUVAN SELITYS (Kuva 1~5)

1. Taipuva pehmeä antenni
2. Akkukotelon lokero
3. Kahva
4. Akkukotelon kansi (peittää akun)
5. DC IN-liitin
6. Kaiutin
7. Virtapainike
8. Taajuuspainike
9. Lisäasetusten painike
10. Info-painike
11. Esiasetukset 2-5
12. Automaattinen taajuuden säätö
13. Äänenvoimakkuus/Viritys/Valinta
14. USB virtalähteen kytkentä
15. AUX IN 1
16. Esiasetus 1/Bluetooth-parituspainike
17. LCD-näyttö
18. Sisääntulo (AUX IN 2)
19. Akun lukitus
20. Mikro-USB-liitin ohjelmiston päivitystä
21. Akkukasetti

### SYMBOLIT

Laitteessa on käytetty seuraavia symboleja. Varmista ennen käyttöä, että ymmärrät niiden merkityksen.



Lue käyttöohje.



Koskee vain EU-maita

Älä hävitä sähkölaitteita tai akkuja tavallisen kotitalousjätteen mukana!

Sähkö- ja elektroniikkalaiteromua koskevan

EU-direktiivin ja paristoja ja akkuja sekä käytettyjä paristoja ja akkuja koskevan

direktiivin ja niiden maakohtaisten sovellusten mukaisesti käytetyt sähkölaitteet ja akut on toimitettava ongelmajätteen

keräyspisteeseen ja ohjattava ympäristöystävälliseen kierrätykseen.

### TÄRKEITÄ TURVAOHJEITA

#### ⚠ VAROITUS:

Sähkötyökaluja käytettäessä on tulipalo-, sähköisku- ja loukkaantumisriskin pienentämiseksi huolehdittava aina muun muassa seuraavista perusvaroimista:

1. Lue tämä käyttöopas ja laturin käyttöopas huolellisesti ennen käyttöä.
2. Puhdista laite vain kuivalla liinalla.
3. Älä asenna lämmönlähteiden, esimerkiksi lämpöpatterien, lämmityskanavien, uunien tai muiden lämpöä tuottavien laitteiden (esimerkiksi vahvistimien) lähelle.
4. Käytä vain valmistajan suosittelemia lisävarusteita ja laitteita.
5. Irrota laitteen virtajohto pistorasiasta ukkosmyrskyn ajaksi tai jos laitetta ei käytetä pitkään aikaan.
6. Kiinteällä tai irrallisella akulla varustetun akkukäyttöisen työmaaradion saa ladata vain kyseiselle akulle tarkoitetulla laturilla. Tietyn tyyppiselle akulle sopiva laturi voi aiheuttaa tulipalovaaran, jos sitä käytetään toisentyypisen akun kanssa.
7. Käytä akkukäyttöistä työmaaradiota vain valmistajan ohjeiden mukaisten akkujen kanssa. Muiden akkujen käyttö voi aiheuttaa tulipalon.
8. Kun akku ei ole käytössä, pidä se erillään metalliesineistä, esimerkiksi paperiliittimistä, kolikoista, avaimista, nauloista, ruuveista ja muista pienistä metalliesineistä, jotka voivat aiheuttaa oikosulun napojen välille. Akun napojen oikosulkeminen voi aiheuttaa palovamman tai tulipalon.
9. Vältä vartalokosketusta maadoitettuihin pintoihin, kuten putkiin, lämpöpattereihin, liesiin ja jääkaappeihin. Sähköiskun vaara kasvaa, jos vartalosi on maadoitettu.
10. Akusta voi vuotaa nestettä, jos sitä käsitellään väärin. Vältä kosketusta. Jos nestettä pääsee iholle vahingossa, huuhtelee iho vedellä. Jos nestettä pääsee silmiin, hakeudu lääkärin hoitoon. Akkunesteet voivat ärsyttää ihoa tai aiheuttaa palovammoja.
11. Älä käytä akkua tai laitetta jos ne ovat vahingoittuneita tai muunneltuja. Vahingoittuneet tai muunnellut akut voivat aiheuttaa erinäisiä vaaroja, kuten tulipalon, räjähdysten tai muun vammoja aiheuttavan tilanteen.
12. Älä altista akkua tai laitetta tulelle tai liialliselle lämmölle. Tuli tai yli 130°C lämpötilat voivat aiheuttaa räjähdysvaaran.
13. Noudata kaikkia latausohjeita äläkä lataa akkua lämpötiloissa, jotka eivät ole käyttöohjeessa kuvailun alueen rajoissa. Vääränlaisissa olosuhteissa lataaminen voi aiheuttaa räjähdys- tai tulipalovaaran tai vahingoittaa akkua muutoin.
14. Laitteen pääkytkin on pidettävä vapaana esteistä.
15. Älä käytä laitetta kovalla äänenvoimakkuudella pitkää aikaa kerraallaan. Vältä ääksesi kuulovaurioita, käytä laitetta kohtuullisella äänenvoimakkuudella.
16. (Koskee vain laitteita, joissa on LCD-näyttö) LCD-näytöt sisältävät nestettä, joka saattaa aiheuttaa ärsytystä tai myrkytyksen. Jos nestettä pääsee silmiin,

suuhun tai iholle, huuhtelee sitä vedellä ja ota yhteyttä lääkäriin..

17. Älä altista laitetta sateelle tai märille olosuhteille. Veden pääsy laitteen sisälle lisää sähköiskun vaaraa.
18. Tätä laitetta ei ole tarkoitettu sellaisten henkilöiden käyttöön, joilla on rajoitetut fyysiset, aistilliset tai henkiset kyvyt (mukaanlukien lapset) tai joilla puuttuu kokemusta ja tietoa, paitsi jos heidän turvallisuudestaan vastaava henkilö on tarjonnut valvontaa ja ohjausta laitteen käytössä. Lapsia tulee valvoa, jotta he eivät leiki laitteella. Säilytä laite pois lasten ulottuvilta.

## SÄILYTÄ NÄMÄ OHJEET

## LISÄTURVAOHJEITA

### AKKU

1. Tutustu ennen akun käyttöönottoa kaikkiin akkulaturissa (1), akussa (2) ja akkukäyttöisessä tuotteessa (3) oleviin varoitusteksteihin.
2. Älä pura akkua.
3. Jos akun toiminta-aika lyhenee merkittävästi, lopeta akun käyttö. Seurauksena voi olla ylikuumeneminen, palovammoja tai jopa räjähdys.
4. Jos elektrolyyttiä pääsee silmiin, huuhtelee puhtaalla vedellä ja hakeudu heti lääkärin hoitoon. Seurauksena voi olla sokeutuminen.
5. Älä saata akkua oikosulkuun:
  - (1) Älä koske akun napoihin millään sähköä johtavalla materiaalilla.
  - (2) Älä säilytä akkua yhdessä muiden metalliesineiden, kuten naulojen, kolikoiden yms. kanssa.
  - (3) Älä altista akkua vedelle tai sateelle. Akun oikosulku voi aiheuttaa voimakkaan sähkövirran, ylikuumenemisen, palovammoja ja jopa laitteen rikkoutumisen.
6. Älä säilytä laitetta ja akkua paikassa, jossa lämpötila voi nousta 50 °C:seen tai sitäkin korkeammaksi.
7. Älä hävitä akkua polttamalla, vaikka se olisi pahoin vaurioitunut tai täysin loppuun kulunut. Avotuli voi saada akun räjähtämään.
8. Varo kolhimasta tai pudottamasta akkua.
9. Älä käytä vahingoittunutta akkua.
10. Akun vaihto-ohje on luettava ennen käyttöä riskien välttämiseksi. Akun suurin latausvirta ei saa olla yli 8 A.
11. Litium-ioniakut luokitellaan vaarallisiksi aineiksi kuljetusta varten. Näiden tavaroiden kuljettaminen vaatii erityisiä pakkaus- ja merkintätapoja. Noudata paikallisia lakeja ja säädöksiä vaarallisten aineiden kuljetuksen osalta. Teippaa akun navat ja pakkaa akku niin, ettei se pääse liikkumaan paketissa kuljetuksen aikana, eikä akun navat voi joutua kosketuksiin

muiden esineiden kanssa.

12. Noudata paikallisia lakeja ja säädöksiä akun hävittämistä varten.
13. Käytä akkuja vain Makitan määrittämien laitteiden kanssa. Akun käyttäminen vääränlaisten laitteiden kanssa voi aiheuttaa tulipalon-, palovamma-, räjähdys- tai elektrolyyttivuodon vaaran.

### HUOMIO:

- **Vääränlainen akku voi aiheuttaa räjähdysvaaran.**
- **Vaihda akku vain toiseen samanlaiseen tai vastaavan tyyppiseen akkuun.**
- **Käytä vain Makitan alkuperäisiä akkuja. Väärälaisten akkujen käyttäminen voi aiheuttaa tulipalovaaran, räjähdysvaaran tai muita vahinkoja tai vammoja. Vääränlaisten akkujen käyttäminen mitätöi Makita-laitteen tai -laturin takuun.**

### Vinkkejä akkukeston maksimointiin:

1. Lataa akku ennen kuin se on täysin tyhjä. Lopeta akkuun liitetyn laitteen käyttö ja lataa akku heti kun huomaat, että laitteen teho on heikentynyt.
2. Älä lataa jo täyteen ladattua akkua. Ylilataus heikentää akun elinikää.
3. Lataa akku tilassa, jonka lämpötila on välillä 10°C - 40°C (50°F - 104°F). Anna kuumenuneen akun viilentyä ennen sen lataamista.
4. Lataa akku jos sitä ei ole käytetty pitkään aikaan (viimeiseen kuuteen kuukauteen).

# KÄYTTÖAIKA

\* Alla oleva taulukko ilmaisee käyttöajan yhdellä latauksella.

Akun kapasiteetti	Akun jännite					KAIUTTIMEN KäYTTöAIKA = 100mW Yksikkö: tunti (likiarvoinen)	
	7,2 V	10,8 V	10,8 V – 12V maks	14,4 V	18 V	Radio- tai AUX- liitännässä	Radio - liitännässä USB-latauksella (1,0A)
1,0 Ah	BL7010					5,0	0,7
1,3 Ah		BL1013				7,0	0,9
				BL1415		5,5	1,7
					BL1815	6,0	1,9
1,5 Ah	BL0715					7,5	1,0
			BL1015 BL1016			8,5	1,7
				BL1415N		7,0	2,0
					BL1815N	7,5	2,0
2,0 Ah			BL1020B BL1021B			11	2,0
					BL1820 BL1820B	10	3,0
3,0 Ah				BL1430 BL1430B		12	3,5
					BL1830 BL1830B	14	4,0
4,0 Ah			BL1040B BL1041B			21	4,0
				BL1440		19	5,5
					BL1840 BL1840B	20	6,0
5,0 Ah				BL1450		23	6,5
					BL1850 BL1850B	26	8,0
6,0 Ah				BL1460B		25	7,5
					BL1860B	31	9,5

□ : ryhmäakku □ : liukulukitusakku

## ⚠ VAROITUS:

Käytä vain alla listattuja akkuja. Minkään muun akun käyttö voi aiheuttaa loukkaantumisen ja/tai tulipalon.

## Huom.:

Yllä oleva taulukko akun käyttöajoista on viitteellinen. Todelliset käyttöajat saattavat vaihdella akun tyypistä, latausolosuhteista ja käyttöympäristöstä johtuen.

# ASENNUS JA VIRTALÄHDE

## ⚠ VAROITUS:

- Varo, etteivät sormet nipisty akun kannen väliin sitä avatessa tai sulkiessa.
- Palauta akun lukitus alkuperäiseen asentoon akun asenneuksen tai irrotuksen jälkeen. Jos näin ei tehdä, akku voi pudota radiosta ja aiheuttaa vammoja sinulle tai muulle lähellä olevalle henkilölle.
- Sulje ja lukitse aina akkukotelon lukitus aina ennen radion siirtämistä.
- Kytke aina radion virta pois päältä ennen akun asennusta tai irrotusta.
- Varo, ettet pudota tai kolauta radiota. Rikkoutunut kuori voi viiltää sormeja tai pistää kehoa. Vaurioitunut radio voi käyttäytyä arvaamattomasti ja johtaa tulipaloon, räjähdykseen tai loukkaantumisvaaraan.

## TÄRKEÄÄ:

- Vähentynyt virta, vääristymät, pätkivä ääni tai kun "POWERFAIL" näkyy näytössä ovat kaikki merkkejä siitä, että pääakku pitää vaihtaa.
- Akkua ei voi ladata mukana tulevalla vaihtovirta-adapterilla.
- Akku ei kuulu tuotteen perusvarusteisiin.

## Liukulukitusakun kiinnitys ja irrotus (Kuva 2 & 3)

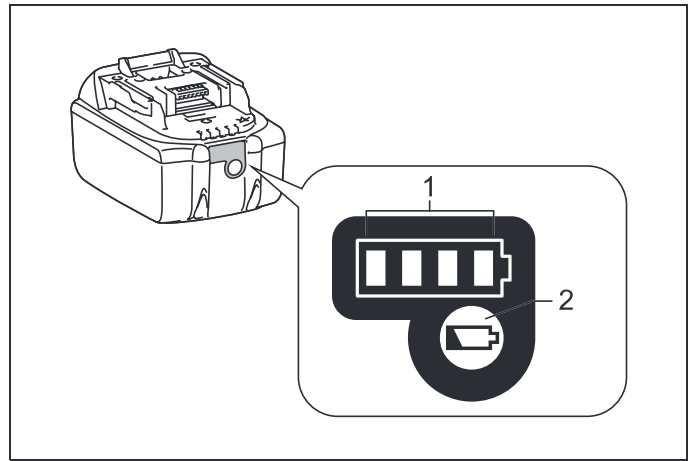
1. Kiinnitä akku sovittamalla akun kieleke rungon uraan ja työntämällä akku sitten paikoilleen. Työnnä akku pohjaan asti niin, että kuulet sen napsahtavan paikoilleen.
2. Jos painikkeen yläpuolella näkyy punainen ilmaisin, akku ei ole lukkiutunut täysin paikoilleen. Työnnä akku pohjaan asti, niin että ilmaisin ei enää näy. Jos akku ei ole kunnolla paikallaan, se voi pudota radiosta ja aiheuttaa vammoja joko käyttäjälle tai sivullisille.
3. Älä käytä voimaa, kun kiinnität akkua paikalleen. Jos akku ei mene paikalleen helposti, se on väärässä asennossa.
4. Akun irrottamiseksi liu'uta se irti radiosta samalla kun painat akun edessä olevaa painiketta.

## Ryhmäakun kiinnitys ja irrotus (Kuva 4 & 5)

1. Kiinnitä akku sovittamalla akun kieleke kotelon uraan ja työntämällä akku sitten paikoilleen.
2. Irrota akku työkalusta painaen samalla akun sivuilla olevia painikkeita.

## Akun jäljellä olevan varaustason ilmaisin

- \* *Vain akuille, joiden mallinumeron lopussa on kirjain "B".*



## ➤ 1. Merkkivalot 2. Tarkistuspainike

Saat näkyviin akun jäljellä olevan varaustason painamalla akun tarkistuspainiketta. Merkkivalot syttyvät muutaman sekunnin ajaksi.

### • 14,4V/18V akut

Merkkivalot			Jäljellä oleva varaustaso
Palava	Pois	Vilkuttava	
■	■	■	75% ~ 100%
■	■	□	50% ~ 75%
■	□	□	25% ~ 50%
■	□	□	0% ~ 25%
◻	□	□	Akku on ladattava
■	■	□	Akku voi olla viallinen tai vahingoittunut

### • 10,8V-12V max akut

Merkkivalot			Jäljellä oleva varaustaso
Palava	Pois	Vilkuttava	
■	■	■	75% ~ 100%
■	■	□	50% ~ 75%
■	□	□	25% ~ 50%
■	□	□	0% ~ 25%

## HUOMIO:

Käyttöolosuhteiden ja ilman lämpötilan takia ilmaistu varaustaso voi poiketa hieman todellisesta varaustasosta.

## Piiska-antennin käyttäminen (Kuva 1)

Suorista piiska-antenni kuvassa esitetyllä tavalla.

## Mukana tulevan vaihtovirta-adapterin käyttö

Poista kuminen suojuus ja kiinnitä adapterin liitin radion oikealla sivulla olevaan DC-liitokseen. Kytke virtapistoke verkkovirtaan pistorasiassa.

Kun adapteri on käytössä, akku poistuu automaattisesti käytöstä.

### ⚠ **VAROITUS:**

- **Irrota vaihtovirta-adapteri aina kokonaan ennen radion liikuttamista. Jos adapteria ei irroteta, voi siitä aiheutua sähköisku.**
- **Älä koskaan vedä adapterin johdosta. Näin tekeminen voi pudottaa tai kaataa radion, joka voi satuttaa sinua tai muuta lähellä olijaa.**

### **TÄRKEÄÄ:**

- Vaihtovirta-adapteria käytetään liittämään radio verkkovirtaan. Pistorasia, johon radio on kytketty, pitää olla normaalin käytön aikana helposti saavutettavissa.
- Vaihtovirta-adapterin pistoke pitää irrottaa kokonaan pistorasiasta radion irti kytkemiseksi.
- Käytä vain vaihtovirta-adapteria, joka tulee laitteen mukana tai jonka Makita on toimittanut.
- Älä pidä virtajohdosta tai -pistokkeesta kiinni suulla. Se voi aiheuttaa sähköiskun.
- Älä koske virtapistoketta märillä tai rasvaisilla käsillä
- Vaurioituneet tai sotkeutuneet johdot lisäävät sähköiskun vaaraa. Jos johto on vaurioitunut, vie se vaihdettavaksi valtuutettuun huoltopaikkaan, jotta vältät turvariskit. Älä käytä sitä ennen korjausta.
- Varastoi vaihtovirta-adapteri aina käytön jälkeen pois lasten ulottuvista. Jos lapset leikkivät johdolla, he voivat loukkaantua.

## Lataaminen USB-virtalähdeliitännän kautta

Työmaaradion etupaneelissa on USB-liitäntä. Voit ladata USB-laitteen USB-liitännän kautta.

1. Kytke USB-laite, esimerkiksi iPod, MP3 tai CD-soitin, erikseen ostettavalla USB-kaapelilla.
2. Kytke virta työmaaradioon painamalla virtapainiketta.
3. Riippumatta siitä, käytetäänkö työmaaradiota verkkovirralla vai akulla, työmaaradio voi ladata USB-laitetta, kun työmaaradioon on kytketty virta ja se on FM/DAB -radiotilassa, BT-tilassa tai AUX-tilassa (ulkoinen äänilähde on kytketty).

### **Huomautus:**

- Kaiuttimen suurin äänenvoimakkuus pienenee, kun USB-liitännän kautta ladataan.
- USB-liitännän kautta syötettävä sähkövirta on enintään 1 A (5 V).

### **Tärkeää:**

- Varmuuskopioi USB-laitteen tiedot aina ennen USB-laitteen kytkemistä USB-liitäntään. Muuten tiedot voivat kadota.
- Radio ei ehkä voi syöttää virtaa kaikkiin USB-laitteisiin.
- Kun liitäntä ei ole käytössä tai kun lataaminen on valmis, irrota USB-kaapeli ja sulje liitännän suojuus.
- Älä kytke virtalähdettä USB-liitäntään. Se voi aiheuttaa tulipalon. USB-liitäntä on tarkoitettu vain pienjännitelaitteiden lataamiseen. Aseta USB-liitännän suojuus aina paikalleen, kun et lataa pienjännitelaitetta.
- Älä työnnä nauvoja, rautalankaa ym. USB-virtalähdeliitäntään. Se voi aiheuttaa oikosulun, joka voi muodostaa savua ja aiheuttaa tulipalon.
- Älä kytke tätä USB-liitäntää tietokoneen USB-liitäntään, sillä se todennäköisesti vaurioittaa laitteita.

## RADION KUUNTELU

Radion voi virittää kolmella eri tavalla: hakutoiminnolla, manuaalisella virityksellä ja valitsemalla muistiin tallennettuja esivalittuja asemia.

### **Aseman valinta – DAB**

1. Kytke työmaaradioon virta painamalla virtapainiketta.
2. Valitse DAB-tila painamalla aaltoalueen valintapainiketta.
3. Paina lisäasetuspainiketta ja kierrä äänenvoimakkuus-, viritys- ja valintasäädintä, kunnes asemaluettelo (Station List) välkky näytössä. Siirry asemaluettelon painamalla äänenvoimakkuus-, viritys- ja valintasäädintä.
4. Selaa valittavissa olevien asemien luetteloa kiertämällä äänenvoimakkuus-, viritys- ja valintasäädintä. Valitse haluamasi asema painamalla säädintä.
5. Säädä äänenvoimakkuus haluamaksesi kiertämällä äänenvoimakkuus-, viritys- ja valintasäädintä.

### **Näytön tilat – DAB**

Työmaaradiossa on DAB-tilassa erilaisia näyttövaihtoehtoja:

Voit selata seuraavassa lueteltuja vaihtoehtoja (a–g) infopainikkeella.

- |                             |   |
|-----------------------------|---|
| a. Aseman nimi              | Näyttää parhaillaan kuunneltavan aseman nimen.  |
| b. Ohjelman asema           | Näyttää parhaillaan kuunneltavan aseman tyyppin, esimerkiksi Pop, Klassinen, Uutiset jne. |
| c. Kanavanipun nimi         | Näyttää DAB-kanavanipun, johon nykyinen asema kuuluu.                                     |
| d. Kellonaika ja päivämäärä | Näyttää senhetkisen kellonajan ja päivämäärän.  |
| e. Taajuus ja kanava        | Näyttää parhaillaan viritettynä olevan DAB-aseman taajuuden ja kanavanumeron.             |

- f. Siirtonopeus/ääniyppi Näyttää parhaillaan viritettynä olevan DAB-aseman digitaalisen äänen siirtonopeuden ja ääniyypin.
- g. Signaalin vahvuus Näyttää parhaillaan viritettynä olevan DAB-aseman signaalin vahvuuden.

## Uusien asemien haku – DAB

Uusia DAB-radioasemia voi tulla aika ajoin saataville. Olet ehkä myös voinut muuttaa toiselle puolelle maata. Tällöin on ehkä tarpeen käynnistää uusien kanavien haku. Jotta työmaaradio löytäisi kaikki saatavilla olevat asemat, on suositeltavaa tehdä täydellinen haku kaikilla DAB-aaltoalueen III taajuuksilla.

1. Paina automaattivirituspainiketta.
2. Työmaaradio tekee kaikki DAB-taajuudet kattavan täydellisen haun. Kun uusia asemia löytyy, näytön vasemmassa reunassa olevan asemalaskurin lukema kasvaa ja uudet asemat lisätään luetteloon.

## Manuaalinen viritys – DAB

Manuaalinen viritys mahdollistaa työmaaradion viritämisen tietylle aaltoalueen III DAB-taajuudelle. Toimintoa voidaan käyttää myös antennin tai työmaaradion suuntaamisen apuna siten, että tietty kanava tai taajuus saadaan kulumaan mahdollisimman hyvin.

1. Paina lisäasetuspainiketta ja kierrä äänenvoimakkuus-, viritys- ja valintasäädintä, kunnes näytössä näkyvänä valintana on manuaalinen viritys (Manual Tune). Siirry manuaalisen virituksen tilaan painamalla äänenvoimakkuus-, viritys- ja valintasäädintä.
2. Valitse haluamasi DAB-kanava kiertämällä äänenvoimakkuus-, viritys- ja valintasäädintä. Vahvista taajuuden valinta painamalla äänenvoimakkuus-, viritys- ja valintasäädintä.

## Asemien järjestyksen määrittäminen – DAB

Työmaaradiossa on valittavana kolme asemajärjestystä. Asemajärjestysvaihtoehdot ovat aakkosnumeerinen, kanavanippu ja kuuluva asema.

1. Paina lisäasetuspainiketta.
2. Kierrä äänenvoimakkuus-, viritys- ja valintasäädintä, kunnes näytössä näkyvänä valintana on asemien järjestys (Station order).
3. Valitse jokin seuraavassa luetelluista asetuksista ja vahvista valinta kiertämällä äänenvoimakkuus-, viritys- ja valintasäädintä.

Alphanumeric	(Aakkosnumeerinen) Lajittelee asemaluettelon aakkosnumeerisesti (0...9 A...Z)
Ensemble (Nippu)	Järjestää asemaluettelon DAB-kanavanippujen mukaan

- Valid (Kuuluva) Näyttää vain ne asemat, joiden signaali löytyy

## Dynamiikka-alueen hallinta (DRC) – DAB

DRC-toiminto auttaa parantamaan hiljaisten äänten kuuluvuutta meluisassa ympäristössä pienentämällä äänisignaalin dynamiikka-aluetta. Pakkaustasoja on kolme:

DRC 0	Ei pakkausta.
DRC 1/2	Keskitasen pakkaus.
DRC 1	Suurin pakkaus.

1. Kytke työmaaradioon virta painamalla virtapainiketta.
2. Valitse haluamasi DAB-aaltoalue painamalla aaltoalueen valintapainiketta.
3. Paina lisäasetuspainiketta ja kierrä äänenvoimakkuus-, viritys- ja valintasäädintä, kunnes näytössä näkyvänä valintana on DRC-arvo (DRC Value). Anna sitten haluamasi asema painamalla äänenvoimakkuus-, viritys- ja valintasäädintä. Nykyinen DRC-arvo näkyy näytössä.
4. Valitse haluamasi DRC-asetus kiertämällä äänenvoimakkuus-, viritys- ja valintasäädintä.
5. Vahvista asetuksen valinta painamalla äänenvoimakkuus-, viritys- ja valintasäädintä.

## Hakutoiminto – FM

1. Kytke työmaaradioon virta painamalla virtapainiketta.
2. Valitse haluamasi aaltoalue painamalla aaltoalueen valintapainiketta. Varmista, että piiska-antenni on hyvin sijoitettu, jotta FM-vastaanotto toimisi hyvin. Vältä työmaaradion käyttöä lähellä tietokoneen näyttöä tai muita laitteita, jotka voivat aiheuttaa häiriötä radiovastaanottoon.
3. Kun painat automaattivirituspainiketta, radio aloittaa asemien haun. Kun asema löytyy, haku pysähtyy automaattisesti. Radio jatkaa asemien etsimistä, kunnes haku keskeytetään painamalla automaattivirituspainiketta.
4. Valitse haluamasi äänenvoimakkuus kiertämällä äänenvoimakkuus-, viritys- ja valintasäädintä. Äänenvoimakkuuden muutos näkyy LCD-näytössä.
5. Voit katkaista työmaaradiosta virran painamalla virtapainiketta.

## FM-hakualue

Kun FM-tila on käytössä, työmaaradio voidaan asettaa hakemaan paikallisia tai kaikkia (myös kaukaisia) radioasemia.

1. Kytke työmaaradioon virta painamalla virtapainiketta.
2. Paina Taajuuspainiketta valitaksesi FM-taajusalue.
3. Paina Lisäasetuspainiketta ja kierrä sitten äänenvoimakkuus-, viritys- ja valintasäädintä kunnes näytössä näkyy "FM Scan Zone". Paina äänenvoimakkuus-, viritys- ja valintasäädintä

vahvistaaksesi valinnan.

4. Kierrä äänenvoimakkuus-, viritys- ja valintasäädintä vaihtaaksesi "Local" (vain voimakkaat asemat) ja "Distant" (kaikki asemat) -vaihtoehtojen välillä näytön alaosassa. "Distant"-vaihtoehto mahdollistaa heikompien signaalien etsinnän skannauksen aikana.
5. Paina äänenvoimakkuus-, viritys- ja valintasäädintä vahvistaaksesi valinta. Local/Distant-asetus tallentuu radioon ja pysyy voimassa kunnes sitä muutetaan tai järjestelmä palautetaan alkuasetuksiin.

### Manuaalinen viritys – FM

1. Kytke työmaaradioon virta painamalla virtapainiketta.
  2. Valitse haluamasi aaltoalue painamalla aaltoalueen valintapainiketta. Säädä antenni edellä kerrotulla tavalla.
  3. Äänenvoimakkuus-, viritys- ja valintasäätimen yksi kierros muuttaa taajuutta seuraavasti: FM: 50 kHz
- Huomautus:**  
Voit hakea haluamaasi asemaa äänenvoimakkuus-, viritys- ja valintasäätimellä, kun siirryt ensin viritystilaan painamalla äänenvoimakkuus-, viritys- ja valintasäädintä.
4. Kierrä äänenvoimakkuus-, viritys- ja valintasäädintä, kunnes haluamasi taajuus näkyy näytössä.
  5. Valitse haluamasi äänenvoimakkuus kiertämällä äänenvoimakkuus-, viritys- ja valintasäädintä.
  6. Voit katkaista työmaaradiosta virran painamalla virtapainiketta.

### Näytön tilat – FM (RDS)

Työmaaradiossa on erilaisia näyttövaihtoehtoja FM-radiotilassa.

Paina toistuvasti info-painiketta nähdäksesi RDS (Radio Data System)-tiedot asemasta, jota kuuntelet.

- |                             |   |
|-----------------------------|---|
| a. Ohjelman asema           | Näyttää parhaillaan kuunneltavan aseman nimen.                                |
| b. Taajuus                  | Näyttää FM-signaalin taajuuden.   |
| c. RT-teksti                | Näyttää radion tekstiviestit, esimerkiksi uutisotsikot.                       |
| d. Ohjelmatyyppi            | Näyttää kuunneltavan aseman tyyppin, esimerkiksi Pop, Klassinen, Uutiset jne. |
| e. Kellonaika ja päivämäärä | Näyttää senhetkisen kellonajan ja päivämäärän.                                |

### Asemien tallennus esivalintamuistiin (DAB ja FM)

Kummallakin aaltoalueella on 5 muistipaikkaa esivalittavia asemia varten.

1. Kytke työmaaradioon virta painamalla virtapainiketta.
2. Viritä haluamasi asema jollakin edellä kerrotuista tavoista.
3. Paina haluamaasi esivalintapainiketta, kunnes

esivalintapaikan numero tulee näyttöön (esim. "P2 Saved"). Asema tallentuu sitten valitun esivalinpainikkeen kohdalle.

4. Toista nämä toimenpiteet muiden esivalintapainikkeiden kohdalla.
5. Esivalintamuistiin tallennetut asemat voidaan korvata toistamalla edellä kuvatut toimenpiteet.

### Esivalittujen asemien käyttäminen (DAB ja FM)

1. Kytke työmaaradioon virta painamalla virtapainiketta.
2. Valitse haluamasi aaltoalue painamalla aaltoalueen valintapainiketta.
3. Paina hetken aikaa haluamaasi esivalintapainiketta. Esivalintapaikan numero ja aseman taajuus tulevat näyttöön.

## MUSIIKIN KUUNTELU BLUETOOTH-LIITÄNNÄN KAUTTA

Sinun pitää liittää Bluetooth-laitteesi radio laitepariksi ennen kuin voit yhdistää ne automaattisesti musiikin soittoa varten. Pariksi liittäminen muodostaa "liitoksen", jonka avulla laitteet tunnistavat toisensa.

#### Huomio:

Parempaa äänenlaatua varten, suosittelemme äänenvoimakkuuden asetusta yli 2/3 maksimista Bluetooth-laitteessasi ja sitten äänenvoimakkuuden säätämistä radio tarvittavalle tasolle.

### Parin muodostus ensimmäistä kertaa Bluetooth-laitteesi kanssa

1. Kytke radion virta päälle virtapainikkeesta. Paina taajuuspainiketta valitaksesi Bluetooth-tila. Bluetooth-merkkivalo vilkkuu sinisenä ilmoittaakseen, että radion on löydettävissä.
2. Käynnistä laitteesi Bluetooth-toiminto sen käyttöohjeiden mukaisesti. Löydettyjen laitteiden listasta valitse ' DMR112'. Jotkut matkapuhelimet (joissa on Bluetooth 2.1:htä aiempi versio) saattavat pyytää sinua syöttämään PIN-koodin "0000".
3. Kun laitteesi ja radio on kytketty pariksi, kuulet varmistusäänen ja esivalintapainikkeiden Bluetooth-merkkivalo pysyy kokonaan sinisenä. Nyt voit valita ja soittaa musiikkia lähdelaitteestasi. Äänenvoimakkuutta voi säätää lähdelaitteesta tai suoraan radiosta.
4. Toistoa voi hallita joko laitteesta, tai radion painikkeista

#### Huomio:

1. Jos kaksi Bluetooth-laitetta etsivät toisia laitteita samaan aikaan, radio näkyy saatavana molemmille laitteille, mutta jos toinen niistä muodostaa pariliitoksen radion kanssa, se ei enää näy saatavana muille laitteille.

2. Jos Bluetooth-pariliitos radion ja toisen laitteen välillä katkeaa väliaikaisesti, liitos täytyy tehdä uudelleen manuaalisesti.
3. Jos 'DMR112' näkyy laitteesi Bluetooth-laitelistassa, mutta et voi muodostaa siihen yhteyttä, poista se listasta ja etsi sitä uudelleen ylhäällä olevien ohjeiden mukaisesti.
4. Bluetoothin optimaalinen kantoalue on n. 10 metriä (näkyvyys) radiosta, mutta jopa 30m etäisyys on mahdollista.
5. Jos Bluetooth-etäisyys purkautuu sen takia, että yhteys on ollut poikki liian kauan, etäisyys on liian pitkä, laitteiden välissä on esteitä tai muusta syystä, laitteen voi joutua yhdistämään radioon uudelleen.
6. Fyysiset esteet, muut langattomat tai elektromagneettiset laitteet voivat vaikuttaa yhteyden laatuun.
7. Bluetooth-yhteyden laatu voi vaihdella radioon yhdistetyn laitteen mukaan. Lue laitteesi käyttöohjeet ennen pariliitoksen muodostamista. Kaikki laitteet eivät välttämättä tue radion kaikkia ominaisuuksia.

## Musiikin toistaminen Bluetooth-yhteyden kautta

Kun olet muodostanut pariliitoksen radion ja laitteesi välillä, voit toistaa musiikkia radiosta laitteeltasi.

1. Kun musiikin toisto on alkanut, voit säätää äänenvoimakkuutta sekä laitteeltasi, että radiosta.
2. Käytä laitteesi ohjaimia kappaleiden soittoon tai pysäyttämiseen.

### Huomio:

1. Kaikki laitteet eivät tue radion kaikkia hallintapainikkeita.
2. Jotkut puhelimet voivat väliaikaisesti katkaista Bluetooth-pariliitoksen lähtevän tai saapuvan puhelun ajaksi. Jotkut puhelimet voivat väliaikaisesti vaimentaa äänentoiston voimakkuutta tekstiviesti-ilmoitusten tai muiden toimintojen aikana. Nämä ovat laitteiden ominaisuuksia, eivätkä tarkoita, että radio olisi viallinen.

## Soittaminen aiemmin pariksi yhdistetystä Bluetooth-laitteesta

Radion muistiin voi tallentaa enintään 8 pariksi muodostettua laitetta. Kun tämä määrä ylittyy, vanhin muistiin tallennettu laite korvataan uusimmalla. Jos Bluetooth-laitteesi on jo aiemmin paritettu radion kanssa, radio muistaa sen ja yrittää muodostaa yhteyden viimeiseksi tallennettuun laitteeseen. Jos viimeiseksi tallennettua laitetta ei löydy, radio on löydettävissä.

## Bluetooth-yhteyden katkaiseminen

Paina Bluetooth-parituspainiketta ja pidä sitä pohjassa 2-3 sekuntia Bluetooth-yhteyden katkaisemiseksi. Esiasetuspainikkeiden Bluetooth-merkkivalo vilkkuu sinisenä ilmoittaakseen, että radio on taas löydettävissä

parin muodostusta varten.

## AUX IN-LIITÄNTÄ

Radiossa on kaksi 3.5 mm stereo AUX IN-liitintä. Yksi niistä on radion etupuolella (AUX IN 1); toinen on akkulokerossa (AUX IN 2).

1. Liitä ulkoinen audiolähde (esim. iPod, MP3 tai CD-soitin) AUX IN-liitäntään audiojohdolla.
2. Paina toistuvasti Taajuuspainiketta kunnes näytössä näkyy "AUX IN 1" tai "AUX IN 2". Tällöin AUX -toiminta on aktivoitu.
3. Parempaa äänenlaatua varten suosittelemme, että asetat äänenvoimakkuuden yli kaksi kolmasosaa audiolaitteesi enimmäistasosta ja säädät sitten äänenvoimakkuutta tarpeen mukaan radiosta.

### HUOM.:

Audiojohtu ei kuulu vakiovarusteisiin.

## SEKALAISET ASETUKSET

### Kielivalinna

Työmaaradion kieleksi voi valita jonkin seuraavista kahdeksasta vaihtoehdosta:

englanti, saksa, italia, ranska, hollanti, tanska, norja ja puola.

1. Paina lisäasetuspainiketta.
2. Kierrä äänenvoimakkuus-, viritys- ja valintasäädintä, kunnes näytössä näkyvänä valintana on kieli (Language). Valitse asetus painamalla äänenvoimakkuus-, viritys- ja valintasäädintä.
3. Valitse haluamasi kieli kiertämällä äänenvoimakkuus-, viritys- ja valintasäädintä. Vahvista asetuksen valinta painamalla äänenvoimakkuus-, viritys- ja valintasäädintä.

### Valon säätö

Painikkeiden valoa voi säätää.

1. Paina lisäasetuspainiketta.
2. Käännä äänenvoimakkuus-, viritys- ja valintasäädintä kunnes näytössä näkyy "Button Light" i. Paina äänenvoimakkuus-, viritys- ja valintasäädintä vahvistaaksesi valinta.
3. Käännä äänenvoimakkuus-, viritys- ja valintasäädintä valitaksesi "On" tai "Off", joilla voit kytkeä painikkeiden valot päälle tai pois. Paina sitten äänenvoimakkuus-, viritys- ja valintasäädintä vahvistaaksesi asetus.

### Järjestelmän nollaus

Jos työmaaradiossa on toimintahäiriöitä tai näytön numerot ovat epäselviä tai eivät näy lainkaan, toimi seuraavasti.

1. Paina lisäasetuspainiketta.
2. Kierrä äänenvoimakkuus-, viritys- ja valintasäädintä,

kunnes näytössä näkyvänä valintana on tehdasasetusten palautus (Factory Reset). Valitse asetus painamalla äänenvoimakkuus-, viritys- ja valintasäädintä.

3. Valitse vaihtoehto Kyllä (Yes) kiertämällä äänenvoimakkuus-, viritys- ja valintasäädintä. Vahvista asetuksen valinta painamalla äänenvoimakkuus-, viritys- ja valintasäädintä. Kaikki asetukset nollautuvat.

## Ohjelmistoversio

1. Paina lisäasetuspainiketta.
2. Kierrä äänenvoimakkuus-, viritys- ja valintasäädintä, kunnes näytössä näkyvänä valintana on ohjelmistoversio (SW Version). Hae työmaaradioon asennetun ohjelmistoversion tiedot näyttöön painamalla äänenvoimakkuus-, viritys- ja valintasäädintä.

## Micro USB-liitäntä ohjelmistopäivitystä varten

Työmaaradioon voi tulevaisuudessa olla saatavilla ohjelmistopäivityksiä.

Kun ohjelmistopäivityksiä tulee saataville, kyseinen ohjelmisto ja ohjeet työmaaradiion päivittämiseksi löytyvät **Makitan verkkosivuilta**.

## KUNNOSSAPITO

### HUOMIO:

**Älä koskaan käytä bensiiniä, ohentimia, alkoholia tms. aineita. Muutoin pinta voi halkeilla tai sen värit ja muoto voivat muuttua.**

## TEKNISET TIEDOT

Tehontarve	
Verkkovirtasovitin	DC 12 V 1,2A, plusnapa keskellä
Akku	Ryhmäakku: 7,2 V - 10,8 V Liukulukitusakku: 10,8 V - 18 V
Taajuusalue	FM 87,50 - 108 MHz DAB/DAB+ 174,928-239,200 MHz
DAB/DAB+ Kanavalohko	DAB (aaltoalue III) 5A-13F
Yhteensopiva standardi	DAB/DAB+

Bluetooth® (Bluetooth®-sanamerkki ja -logot ovat rekisteröityjä tavaramerkkejä, joiden omistaja on Bluetooth SIG, Inc.)	
Bluetooth-versio	4,0
Bluetooth-profiilit	A2DP/SCMS-T
Lähetysteho	Virtaluokka 2
Lähetyksen kantama	Optimaalinen: Enintään 10 metriä Mahdollinen: Enintään 30 metriä (vaihtelee käyttöolosuhteiden mukaan)
Tuettu koodekki	SBC,AAC
Yhteensopiva Bluetooth-profiili	A2DP
Radiotaajuuksien maksimitehot:	BT EDR: 3,12dBm BT LE: 2,31dBm
Käyttötaajuus	2402MHz~2480MHz

Kytkenäominaisuudet	
Kaiutin	3,5 tuumaa, 32 ohmia x 2
Lähtöteho	7,2 V: 0,6 W X 2 12V maks: 1,7 W X 2 14,4 V: 3 W X 2 18 V: 4,9 W X 2
Tuloliitäntä	3,5 mm dia. (AUX IN1/AUX IN2)
Antennijärjestelmä	DAB/FM: piiska-antenni
Mitat (P x L x K)	282 x 163 x 294 mm
Paino	4,3KG (ilman akkua)

# LATVIEŠU (Oriģinālās instrukcijas)

## KOPSKATA SKAIDROJUMS (1~5. att.)

1. Mīksta lokāmā stieņa antena
2. Akumulatora nodalījuma slēgs
3. Rokturis
4. Akumulatora nodalījuma vāks (nosedz akumulatora bloku)
5. LĪDZSTR. (DC) IEEJAS ligzda
6. Skaļrunis
7. Barošanas poga
8. Joslas poga
9. Detalizēto iestatījumu poga
10. Informācijas poga
11. Programmas 2-5
12. Auto meklēšanas poga
13. Skaļuma/meklēšanas vadības/izvēles grozāmā poga
14. USB barošanas ports
15. Ārējā ieeja 1
16. Programma 1/Bluetooth sapārošanas poga
17. LCD displejs
18. Ieejas spaile (ārējā ieeja 2)
19. Akumulatora nodalījums
20. Micro USB ports programmatūras atjauninājumiem
21. Akumulatora bloks

## SIMBOLI

Zemāk ir attēloti simboli, kas attiecas uz ierīci. Pirms ekspluatācijas pārliecinieties, vai izprotat to nozīmi.



Izlasiet rokasgrāmatu.



Tikai ES valstīm  
Neizmest elektrisko aprīkojumu vai akumulatoru sadzīves atkritumos! Saskaņā ar Eiropas direktīvu par elektrisko un elektronisko iekārtu atkritumiem, kā arī par baterijām un akumulatoriem, un bateriju un akumulatoru atkritumiem un to īstenošanu saskaņā ar valsts likumdošanu lietotais elektriskais aprīkojums, baterijas un akumulators kalpošanas laika beigās jāsavāc atsevišķi un jānogādā otrreizējai pārstrādei vidi saudzējošā veidā.

# SVARĪGI DROŠĪBAS NORĀDĪJUMI

## ⚠ BRĪDINĀJUMS:

Lai mazinātu ugunsgrēka, elektriskās strāvas trieciena un savainojumu riska iespējas, lietojot bezvada darbarīkus, vienmēr jāievēro vispārējie drošības noteikumi, ieskaitot turpmāk minētos:

1. Pirms lietošanas rūpīgi izlasiet šo instrukciju rokasgrāmatu un uzlādes ierīces instrukciju rokasgrāmatu.
2. Tīriet tikai ar sausu lupatiņu.
3. Neuzstādiet blakus karstuma avotiem, piemēram, radiatoriem, sildītājiem, plītiem vai citai karstumu ražojošai aparatūrai (ieskaitot pastiprinātājus).
4. Izmantojiet tikai tādus pielikumus/piederumus, ko norādījis ražotājs.
5. Atvienojiet šo ierīci no strāvas pērķona negaisa laikā vai kad to neizmanto ilgu laiku.
6. Radioaparāts ar iebūvētu akumulatoru vai atsevišķs akumulatora bloks jāuzlādē tikai ar tam paredzētu akumulatora uzlādes ierīci. Vienam akumulatora tipam paredzētas uzlādes ierīces izmantošana cita tipa akumulatora uzlādei var radīt ugunsgrēka risku.
7. Izmantojiet radioaparātu ar iebūvētu akumulatoru tikai ar atsevišķi norādītiem akumulatoru blokiem. Citu akumulatoru izmantošana var radīt ugunsgrēka risku.
8. Kamēr akumulatora bloks netiek izmantots, neturiet to blakus metāla priekšmetiem, piemēram, saspraudēm, monētām, atslēgām, naglām, skrūvēm un citiem nelieliem metāla priekšmetiem, kas var savienot spaiļes. Akumulatora spaiļu īssavienojums var izraisīt dzirksteles, uzliesmojumu vai ugunsgrēku.
9. Izvairieties no pieskaršanās iezemētām virsmām, piemēram, caurulēm, radiatoriem, plītiem un ledusskapjiem. Ja jūsu ķermenis ir iezemēts, pastāv lielāks elektriskās strāvas trieciena risks.
10. Nepareizas lietošanas gadījumā no akumulatora var iztecēt šķidrums, nepieskarieties tam. Ja jūs nejauši pieskārtāties šķidrumam, noskalojiet saskares vietu ar ūdeni. Ja šķidrums nokļūst acīs, papildus iepriekš minētajam, griezieties pie ārsta. No akumulatora iztecējušais šķidrums var izraisīt kairinājumu vai apdegumus.
11. Neizmantojiet instrumentu, kas ir bojāts vai modificēts. Bojātu vai modificētu akumulatoru darbība var būt neparedzēta, kā rezultātā var rasties aizdegšanās, sprādzienu vai traumu risks.
12. Nepakļaujiet akumulatoru vai instrumentu uguns vai pārāk augstas temperatūras iedarbībai. Uguns vai temperatūras virs 130 °C iedarbība var izraisīt sprādzienu.
13. Izpildiet visas lādēšanas instrukcijas un nelādējiet akumulatoru vai instrumentu ārpus temperatūras

diapazona, kas norādīts instrukcijās. Nepareiza lādēšana vai lādēšana ārpus norādītā diapazona var izraisīt akumulatora bojājumus un palielināt aizdegšanās riskus.

14. BAROŠANAS spraudnis tiek izmantots kā atvienošanas ierīce, un tam jābūt pastāvīgi pieejamam lietošana
15. Nelietojiet produktu lielā skaļumā ilgstoši. Lai izvairītos no dzirdes traucējumiem, izmantojiet produktu vidējā skaļuma līmenī.
16. (Tikai produktiem ar LCD displeju) LCD displejos tiek izmantots šķidrums, kas var izraisīt kairinājumu un saindēšanos. Ja šķidrums iekļūst acīs, mutē vai uz ādas, skalojiet ar tīru ūdeni un sazinieties ar ārstu.
17. Nepakļaujiet produktu lietus vai mitruma iedarbībai. Ūdens iekļūšana produktā palielina elektriskā trieciena risku.
18. Šo produktu nedrīkst izmantot personas (tostarp bērni) ar ierobežotām fiziskajām, sensorajām vai mentālajām spējām vai, kurām trūkst pieredzes un zināšanu, izņemot, ja par viņu drošību atbildīgā persona nodrošina viņu uzraudzību un sniedz viņiem instruktažu par produkta lietošanu. Bērni ir jāuzrauga, lai viņi nevarētu rotaļāties ar produktu. Glabājiet produktu bērniem neaizsniedzamā vietā.

## SAGLABĀJIET ŠOS NORĀDĪJUMUS

### ĪPAŠI DROŠĪBAS NOTEIKUMI

#### PAR AKUMULATORA KASETNI

1. Pirms akumulatora kasetnes izmantošanas izlasiet visas norādes un brīdinājumus, kas attiecas uz 1) akumulatora uzlādes ierīci, 2) akumulatoru un 3) izstrādājumu, kurā tiek izmantots akumulators.
2. Neizjauciet akumulatora kasetni.
3. Ja ekspluatācijas laiks ir ievērojami saīsinājies, nekavējoties pārtrauciet ekspluatāciju. Citādi var rasties pārkaršanas, iespējamu apdegumu un pat sprādziena risks.
4. Ja elektrolīts iekļūst acīs, izskalojiet tās ar tīru ūdeni un nekavējoties meklējiet ārsta palīdzību. Citādi varat zaudēt redzi.
5. Neradiet akumulatora kasetnē īsslēgumu:
  - (1) Nepieskarieties spailēm ne ar kādu elektrību vadošu materiālu.
  - (2) Neuzglabājiet akumulatora kasetni kopā ar citiem metāla priekšmetiem, piemēram, naglām, monētām utt.
  - (3) Nepakļaujiet akumulatora kasetni ūdens vai lietus iedarbībai. Akumulatora īsslēgums var izraisīt lielu strāvas plūsmu, pārkaršanu, iespējamus apdegumus vai pat bojājumus.
6. Neuzglabājiet darbarīku un akumulatora kasetni

vietās, kur temperatūra var sasniegt vai pārsniegt 50 °C (122 °F).

7. Nesadedziniet akumulatora kasetni pat tad, ja tā ir nopietni bojāta vai ir pilnīgi nolietota. Akumulatora kasetne ugunī var eksplodēt.
8. Uzmanieties, lai nenomestu vai nesusistu akumulatoru.
9. Neizmantojiet bojātu akumulatoru.
10. Lai novērstu risku, pirms lietošanas jāizlasa rokasgrāmata par akumulatora nomaigu. Akumulatora maks. izlādes spriegumam jābūt 8A vai vairāk.
11. Uz komplektā iekļautajiem litija jonu akumulatoriem attiecas bīstamo preču normatīvie akti. Komerstransportam, piemēram, trešajām pusēm, forvardēšanas uzņēmumiem, jāievēro prasības uz iepakojuma un marķējums. Lai sagatavotu šo izstrādājumu transportēšanai, nepieciešams konsultēties ar bīstamo materiālu ekspertu. Lūdzu, ievērojiet arī nacionālos normatīvos aktus, kas var būt detalizētāki. Aizklājiet ar līmlenti vai citu materiālu atklātos kontaktus un iepakojiet akumulatoru tādā veidā, lai tas iepakojumā nepārvietotos.
12. Ievērojiet lokālos normatīvos aktus, kas attiecas uz akumulatoru utilizāciju.
13. Izmantojiet šos akumulatorus tikai ar izstrādājumiem, kurus ir norādījusi Makita. Akumulatoru uzstādīšana neatbilstošos izstrādājumos var izraisīt aizdegšanos, pārkaršanu, sprādzienu vai elektrolīta izplūdi.

#### UZMANĪBU:

- Eksplozijas bīstamība, ja bateriju nomaina nepareizi.
- Nomainiet tikai ar tādu pašu vai līdzvērtīgu tipu.
- Izmantojiet tikai oriģinālus Makita akumulatorus. Neoriģinālo (ne Makita piegādāto) akumulatoru vai modificētu akumulatoru lietošana var izraisīt aizdegšanos, traumas un bojājumus. Tas arī anulēs Makita garantijas segumu Makita instrumentam un lādētājam.

#### Padomi akumulatora kalpošanas laika maksimālai paildzināšanai

1. Uzlādējiet akumulatora kartridžu, pirms tas ir pilnībā izlādējies. Obligāti apturiet instrumenta darbību un uzlādējiet akumulatora kartridžu, kad pamanāt, ka instrumentam nepietiek jaudas.
2. Nekādā gadījumā neuzlādējiet pilnībā uzlādējušos akumulatoru. Pārlieta uzlāde saīsina akumulatora kalpošanas laiku.
3. Uzlādējiet akumulatora kartridžu istabas temperatūrā 10 °C - 40 °C (50 °F - 104 °F). Ļaujiet karstam akumulatora kartridžam atdzist, pirms uzlādēt to.
4. Uzlādējiet akumulatora kartridžu, ja ilgstoši neizmantojat to (vairāk nekā sešus mēnešus).

# DARBĪBAS LAIKS

\* Šajā tabulā ir parādīts darbības laiks no viena uzlādes cikla.

Akumulatora jauda	Akumulatora kasetnes spriegums					PIE SKAĻRUŅA IZVADA = 100mW Mērvienība: stunda (aptuveni)	
	7,2 V	10,8 V	10,8 V - maks. 12 V	14,4 V	18 V	Radio vai AUX	Radio ar USB Uzlādi (1,0 A)
1,0 Ah	BL7010					5,0	0,7
1,3 Ah		BL1013				7,0	0,9
				BL1415		5,5	1,7
					BL1815	6,0	1,9
1,5 Ah	BL0715					7,5	1,0
			BL1015 BL1016			8,5	1,7
				BL1415N		7,0	2,0
					BL1815N	7,5	2,0
2,0 Ah			BL1020B BL1021B			11	2,0
					BL1820 BL1820B	10	3,0
3,0 Ah				BL1430 BL1430B		12	3,5
					BL1830 BL1830B	14	4,0
4,0 Ah			BL1040B BL1041B			21	4,0
				BL1440		19	5,5
					BL1840 BL1840B	20	6,0
5,0 Ah				BL1450		23	6,5
					BL1850 BL1850B	26	8,0
6,0 Ah				BL1460B		25	7,5
					BL1860B	31	9,5

□ : Bloka akumulators    □ : Sīdes akumulators

## ⚠ BRĪDINĀJUMS:

Izmantojiet tikai augstāk nosauktās akumulatora kasetes. Jebkuru citu akumulatora kasešu lietošana var izraisīt traumas un/vai aizdegšanos.

### Piezīme:

Augstāk sniegtā tabula ar akumulatoru darbības laikiem ir tikai orientējoša. Reālais darbības laiks var atšķirties atkarībā no akumulatora tipa, uzlādēšanas apstākļiem vai izmantošanas vides.

# UZSTĀDĪŠANA UN STRĀVAS PADEVE

## ⚠ UZMANĪBU:

- Uzmanieties, lai nenaspiestu pirkstus, kad atverat vai aizverat akumulatora nodalījumu.
- Pēc tam, kad akumulatora bloks ir uzstādīts vai izņemts, atgrieziet akumulatora nodalījuma slēgu sākotnējā pozīcijā. Ja tas netiek izdarīts, akumulatora bloks var nejauši izkrist no radioaparāta, radot jums vai kādam jūsu tuvumā traumas.
- Vienmēr aizveriet no nofiksējiet akumulatora nodalījuma slēgs, pirms pārvietot radioaparātu.
- Pirms akumulatora bloka uzstādīšanas vai noņemšanas, vienmēr izslēdziet radioaparātu.
- Uzmanieties, lai nenomestu vai neradītu radioaparātam triecienus. Salūzis korpuss var iegriezt pirkstā vai darīt dūrienus ķermenī. Bojāts radioaparāts var darboties neparedzami, kā rezultātā tas var aizdegties, uzsprāgt vai radīt citus traumu riskus.

## SVARĪGI:

- Samazināta jauda, skaņas kropļojumi, "skaņas raustīšanās" vai, ja displejā parādās "POWERFAIL" (Barošanas atteice), tās visas ir pazīmes, ka jānomaina galvenais akumulatora bloks.
- Akumulatora bloku nevar lādēt, izmantojot komplektā iekļauto maiņstrāvas barošanas bloku.
- Akumulatora bloks nav iekļauts kā standarta piederums.

## Slīdes akumulatora kasetnes ielikšana vai izņemšana (2. un 3. att.)

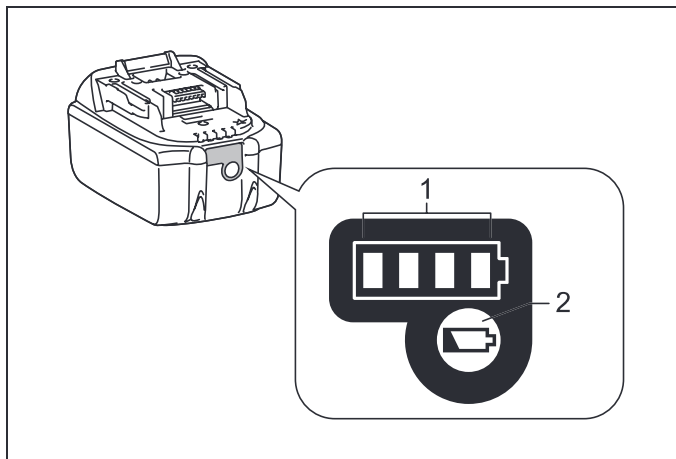
1. Lai uzstādītu akumulatora kasetni, salāgojiet mēlīti uz akumulatora kasetnes ar rievu ietvarā un iebīdiet to vietā. Vienmēr bīdiet to iekšā līdz klikšķim, kas nozīmē, ka tā ir pareizi uzstādīta.
2. Ja pogas augšējā daļā ir redzams sarkans indikators, tas nozīmē, ka tā nav pilnīgi fiksēta. Ievietojiet to tā, lai sarkanais indikators nebūtu redzams. Pretējā gadījumā tā var nejauši izkrist no radioaparāta un radīt jums vai apkārtējiem ievainojumu.
3. Ievietojot akumulatora kasetni, nespiediet to ar spēku. Ja kasetne neslīd ietvarā viegli, tā nav pareizi ielikta.
4. Lai izņemtu akumulatora bloku, virziet to laukā no radioaparāta, vienlaicīgi pabīdot pogu bloka priekšpusē.

## Bloka akumulatora kasetnes ielikšana vai izņemšana (4. un 5. att.)

1. Lai ievietotu akumulatora kasetni, salāgojiet mēlīti uz akumulatora kasetnes ar rievu ietvarā un iebīdiet to vietā.
2. Lai izņemtu akumulatora kasetni, izvelciet to no spailis, spiežot kasetnes sānos esošās pogas.

## Atlikušās akumulatora jaudas indikators

\* Tikai akumulatora kasetnēm ar „B” burtu modeļa numura beigās.



### ➤ 1. Indikatora lampiņas 2. Pārbaudes poga

Nospiediet pārbaudes pogu uz akumulatora kasetnes, lai pārbaudītu akumulatora atlikušo jaudu. Indikatora lampas izgaismosies dažas sekundes.

### • 14,4V/18V akumulatori

Indikatora lampiņas			Atlikusī kapacitāte
Deg	Izslēgta	Mirgo	
■ ■ ■ ■			75% ~ 100%
■ ■ ■ □			50% ~ 75%
■ ■ □ □			25% ~ 50%
■ □ □ □			0% ~ 25%
▣ □ □ □			Uzlādējiet akumulatoru
■ ■ □ □	↑	↓	Akumulatoram var būt radusies kļūme

### • 10,8V-12V maks. akumulatori

Indikatora lampiņas			Atlikusī kapacitāte
Deg	Izslēgta	Mirgo	
■ ■ ■ ■			75% ~ 100%
■ ■ ■ □			50% ~ 75%
■ ■ □ □			25% ~ 50%
■ □ □ □			0% ~ 25%

## PIEZĪME:

Atkarībā no lietošanas apstākļiem un vides temperatūras, indikācija var mazliet atšķirties no reālās kapacitātes.

### Lokanās stieņa antenas lietošana (1. att.)

Iztaisnojiet lokano stieņa antenu, kā parādīts attēlā.

### Komplektā iekļautā maiņstrāvas barošanas bloka lietošana

Noņemiet gumijas aizsargu un ievietojiet bloka spraudni līdzstrāvas ligzdā, kas atrodas radioaparāta labajā pusē. Iespraudiet bloka spraudni standarta barošanas ligzdā. Kad vien bloks tiek lietots, akumulatora bloks tiek automātiski atvienots.

#### ⚠ UZMANĪBU:

- Vienmēr pilnībā atvienojiet maiņstrāvas barošanas bloku, pirms pārvietot radioaparātu. Ja maiņstrāvas bloks netiek atvienots, tas var izraisīt elektrošoku.
- Nekad nevelciet aiz bloka vada. Ja tas netiek izdarīts, radioaparāts var nejauši nokrist, radot jums vai kādam jūsu tuvumā traumas.

#### SVARĪGI:

- Barošanas bloks tiek izmantots kā līdzeklis, lai savienotu radioaparātu ar elektrotīkla barošanu. Barošanas ligzdai, kas tiek izmantota radioaparāta barošanai, normālas lietošanas laikā jābūt pieejamai.
- Lai atvienotu radioaparātu, barošanas blokam jābūt pilnībā atvienotam no barošanas ligzdas.
- Izmantojiet tikai maiņstrāvas bloku, kas iekļauts produkta komplektācijā vai kuru ir norādījusi Makita.
- Neturiet barošanas vadu un spraudni mutē. Tas var izraisīt elektrisko triecienu.
- Nepieskarieties barošanas spraudnim ar slapjām vai eļļainām rokām.
- Bojāti vai sapinušies vadi palielina elektrošoka risku. Ja barošanas vads tiek bojāts, tas jānomaina pilnvarotā servisa centrā, lai izvairītos no drošības draudiem. Nelietojiet, kamēr tas nav salabots.
- Pēc lietošanas vienmēr glabājiet maiņstrāvas bloku bērniem neaizsniedzamā vietā. Ja ar vadu rotaļājas bērni, viņi var gūt traumas.

### Uzlādes veikšana ar USB strāvas padeves atveri

Radioaparāta priekšpusē ir USB atvere. Caur USB atveri varat veikt uzlādi USB ierīcei.

1. Pievienojiet USB ierīci, piemēram, iPod, MP3, vai kompaktdisku spēlētāju, izmantojot pārdošanāpieejamu USB kabeli.
2. Nospiediet ieslēgšanas pogu, lai ieslēgtu radioaparātu
3. Neatkarīgi no tā, vai radioaparāts ir pieslēgts maiņstrāvai vai to baro akumulators, ar radioaparātu var veikt uzlādi USB ierīcei, kad radioaparāts ir ieslēgts un ir FM/DAB radio režīmā vai BT režīmā, vai AUX režīmā, kas

ieslēdzas, kad tiek pievienots ārējais audio avots.

#### Piezīme:

- Skaļruņa izejas jaudas maksimālais skaļums samazināsies, veicot USB uzlādi.
- USB ligzda var nodrošināt maks. 1A 5V elektrisko strāvu.

#### Svarīgi:

- Pirms USB ierīces pievienošanas USB atverei, vienmēr dublējiet datus, kas atrodas USB ierīcē. Dažreiz dati var nejauši pazust.
- Atsevišķām USB ierīcēm radioaparāts var nepiegādāt strāvu.
- Ja USB kabeli neizmanto, vai pēc uzlādes veikšanas izņemiet to un aizveriet vāku.
- USB atverei nepievienojiet strāvas avotu. Citādi rodas ugunsgrēka risks. USB atvere ir paredzēta tikai zemsprieguma ierīču uzlādei. Kamēr nenotiek zemsprieguma ierīču uzlāde, vienmēr novietojiet vāku uz USB atveres.
- USB strāvas padeves atverē neievietojiet naglas, stieples un citus priekšmetus. Citādi īsslēgums var izraisīt dūmus un uguni.
- Nesavienojiet USB ligzdu ar datora USB pieslēgvietu, jo ir ļoti iespējams, ka tas var izraisīt ierīču bojājumus.

## RADIO KLAUSĪŠANĀS

Šim radioaparātam ir trīs regulēšanas metodes - skenēšanas regulēšana, manuālā regulēšana un iepriekšiestatīto atmiņu atsaukšana.

### Stacijas izvēle – DAB

1. Nospiediet ieslēgšanas pogu, lai ieslēgtu radioaparātu
2. Izvēlieties nepieciešamo DAB režīmu, nospiežot diapazona pogu.
3. Nospiediet paplašināto iestatījumu pogu un grieziet skaļuma/regulēšanas/atlasēšanas pogu, līdz ekrānā redzams mirgojošs teksts „Station List” (Staciju saraksts). Nospiediet skaļuma/regulēšanas/atlasēšanas pogu, lai izvēlētos staciju sarakstu.
4. Grieziet skaļuma/regulēšanas/atlasēšanas pogu, lai rītinātu pieejamo staciju sarakstu. Nospiediet pogu, lai izvēlētos staciju.
5. Noregulējiet vajadzīgo skaļumu, pagriežot skaļuma/regulēšanas/atlasēšanas pogu.

### Displeja režīmi – DAB

Šim radioaparātam ir vairākas displeja opcijas DAB režīmā. Nospiediet informācijas pogu, lai izvēlētos no vairākām opcijām, kas attēlotas ar norādītajiem burtiem (a. līdz g.).

- |                       |   |
|-----------------------|---|
| a. Stacijas nosaukums | Norāda attiecīgajā brīdī klausītās stacijas nosaukumu.                                  |
| b. Programmas veids   | Norāda attiecīgajā brīdī klausītās stacijas veidu, piemēram, pops, klasika, ziņas u. c. |

c. Multipleksa nosaukums	Norāda DAB multipleksu, kurā ietilpst attiecīgajā brīdī klausītā stacija.
d. Laiks un datums	Norāda pašreizējo datumu un laiku.
e. Frekvence un kanāls	Norāda attiecīgajā brīdī noregulētās DAB stacijas frekvenci un kanāla numuru.
f. Bitu pārraides ātrums/ audio veids	Norāda digitālā audio bitu pārraides ātrumu un audio veidu attiecīgajā brīdī noregulētajai DAB stacijai.
g. Signāla stiprums	Norāda attiecīgajā brīdī noregulētās DAB stacijas signāla stiprumu.

Burtu un ciparu	Sakārto staciju sarakstu pēc burtiem un cipariem, 0...9 A...Z
Kopējais	Organizē staciju sarakstu pēc DAB multipleksa
Derīgās	Parāda tās stacijas, kurām var atrast signālu

## Jaunu staciju atrašana – DAB

Laiku pa laikam var kļūt pieejamas jaunas DAB radio stacijas, vai arī jūs esat pārvietojušies uz citu valsts daļu. Šādā gadījumā var būt nepieciešams radioaparātā veikt jaunu staciju skenēšanu.

Lai radioaparātā atrastu pieejamās stacijas, ieteicams veikt visa DAB III diapazona frekvenču pilnīgu skenēšanu.

1. Nospiediet automātiskās regulēšanas pogu.
2. Radioaparāts veiks DAB frekvenču pilnīgu skenēšanu. Atrodot jaunu staciju, staciju skaits displeja kreisajā pusē palielināsies un sarakstam tiks pievienota jauna stacija.

## Manuālā regulēšana – DAB

Manuālā regulēšana ļauj noregulēt radioaparātu uz konkrētu DAB frekvenci III diapazonā. Šo funkciju arī var izmantot, papildinot antenas vai radioaparāta novietojumu, lai optimizētu konkrēta kanāla vai frekvences uztveršanu.

1. Nospiediet paplašināto iestatījumu pogu un grieziet skaļuma/regulēšanas/atlasē pogu, līdz displejā redzams „Manual Tune” (Manuālā regulēšana). Nospiediet skaļuma/regulēšanas/atlasē pogu, lai izvēlētos manuālās regulēšanas režīmu.
2. Pagrieziet skaļuma/regulēšanas/atlasē pogu, lai izvēlētos vajadzīgo DAB kanālu. Nospiediet skaļuma/regulēšanas/atlasē pogu, lai apstiprinātu izvēlēto frekvenci.

## Staciju kārtības iestatīšana – DAB

Jūs varat izvēlēties vienu no 3 radio staciju kārtības iestatījumiem. Staciju kārtības iestatījumi ir burtu un ciparu, kopējais un derīgās stacijas.

1. Nospiediet paplašināto iestatījumu pogu.
2. Grieziet skaļuma/regulēšanas/atlasē pogu, līdz displejā redzams „Station order” (Staciju kārtība), pēc tam nospiediet skaļuma/regulēšanas/atlasē pogu, lai izvēlētos iestatījumu.
3. Grieziet skaļuma/regulēšanas/atlasē pogu, lai izvēlētos turpmākos iestatījumus un nospiediet pogu, lai apstiprinātu iestatījumu.

## Dinamiskā diapazona kontrole (Dynamic Range Control – DRC) – DAB

DRC funkcija, samazinot audio signāla dinamisko diapazonu, ļauj sadzirdēt klusākas skaņas, kad radioaparātu izmanto trokšņainā vidē. Pieejami trīs saspišanas līmeņi:

- |         |                                     |
|---------|-------------------------------------|
| DRC 0   | Netiek izmantota saspišana.         |
| DRC 1/2 | Tiek izmantota vidēja saspišana.    |
| DRC 1   | Tiek izmantota maksimāla saspišana. |

1. Nospiediet ieslēgšanas pogu, lai ieslēgtu radioaparātu.
2. Nospiediet diapazona pogu, lai izvēlētos DAB diapazonu.
3. Nospiediet paplašināto iestatījumu pogu un grieziet skaļuma/regulēšanas/atlasē pogu, līdz displejā redzams „DRC Value” (Dinamiskās diapazona kontroles vērtība). Pēc tam nospiediet skaļuma/regulēšanas/atlasē pogu, lai ievadītu iestatījumu. Displejā būs redzama pašreizējā dinamiskās diapazona kontroles vērtība.
4. Pagrieziet skaļuma/regulēšanas/atlasē pogu, lai izvēlētos vajadzīgo dinamiskās diapazona kontroles vērtību.
5. Nospiediet skaļuma/regulēšanas/atlasē pogu, lai apstiprinātu iestatījumu.

## Skenēšanas regulēšana – FM

1. Nospiediet ieslēgšanas pogu, lai ieslēgtu radioaparātu.
2. Izvēlieties vajadzīgo viļņu diapazonu, nospiežot diapazona pogu. Pārlicinieties, vai lokanā stieņa antena ir novietota pareizi labākai FM viļņu uztveršanai. Nelietojiet radioaparātu blakus datora ekrānam un citām ierīcēm, kas izraisa radiosignāla traucējumus.
3. Nospiediet automātiskās regulēšanas pogu – radioaparāts sāks meklēšanu un automātiski to pārtrauks, kad atradīs radio staciju. Radioaparāts turpinās meklēt nākamo pieejamo staciju, ja vien nepiespiedīsiet automātiskās regulēšanas pogu, lai pārtrauktu skenēšanu.
4. Pagrieziet skaļuma/regulēšanas/atlasē pogu, lai noregulētu vajadzīgo skaņas līmeni. Šķidro kristālu displejā tiks parādītas skaņas līmeņa izmaiņas.
5. Lai izslēgtu radioaparātu, nospiediet ieslēgšanas pogu.

## FM skenēšanas zona

Izmantojot FM režīmu, radioaparātu var iestatīt veikt vietējo staciju skenēšanu vai veikt visu staciju, tostarp attālu radio staciju, skenēšanu.

1. Nospiediet ieslēgšanas pogu, lai ieslēgtu radioaparātu.

2. Nospiediet Frekvenču joslas pogu, lai izvēlētos FM joslu.
3. Nospiediet Detalizēto iestatījumu pogu un pēc tam pagrieziet skaļuma/meklēšanas vadības/izvēles grozāmo pogu, līdz displejā parādās "FM Scan Zone" (FM skenēšanas zona). Nospiediet skaļuma/meklēšanas vadības/izvēles grozāmo pogu, lai ievadītu iestatījumu.
4. Pagrieziet skaļuma/meklēšanas vadības/izvēles grozāmo pogu, lai pārslēgtos starp "Local" (tuvas - tikai spēcīgas stacijas) un "Distant" (attālas - visas stacijas) opcijām displeja apakšējā rindā. Attālā opcija ļauj radioaparātam skenēšanas laikā atrast vājāku signālu.
5. Nospiediet skaļuma/meklēšanas vadības/izvēles grozāmo pogu, lai apstiprinātu izvēli. Vietējais vai Attālais iestatījums tiek saglabāts radioaparātā, un paliek aktīvs, līdz tas tiek mainīts vai līdz sistēma tiek atiestatīta.

## Manuālā regulēšana – FM

1. Nospiediet ieslēgšanas pogu, lai ieslēgtu radioaparātu.
  2. Nospiediet diapazona pogu, lai izvēlētos vajadzīgo viļņu diapazonu. Noregulējiet antenu, kā aprakstīts iepriekš.
  3. Pagriežot skaļuma/regulēšanas/atlasēšanas pogu, frekvence mainīsies šādi: FM: 50 kHz
- Piezīme:**  
Lai, izmantojot skaļuma/regulēšanas/atlasēšanas pogu, atrastu vajadzīgo staciju, nospiediet skaļuma/regulēšanas/atlasēšanas pogu, lai ieslēgtu regulēšanas režīmu.
4. Turpiniet griezt skaļuma/regulēšanas/atlasēšanas pogu, līdz displejā redzama nepieciešamā frekvence.
  5. Pagrieziet skaļuma/regulēšanas/atlasēšanas pogu, lai noregulētu vajadzīgo skaņas līmeni.
  6. Lai izslēgtu radioaparātu, nospiediet ieslēgšanas pogu.

## Displeja režīmi – FM (RDS)

Šim radioaparātam ir vairākas displeja opcijas FM radio režīmā.

Vairākas reizes nospiediet Informācijas pogu, lai skatītu RDS (Radio datu sistēma) informāciju par staciju, kuru klausāties.

- |                       |   |
|-----------------------|---|
| a. Programmas stacija | Norāda attiecīgajā brīdī klausītās stacijas nosaukumu.                                  |
| b. Frekvence          | Norāda FM signāla frekvenci.  |
| c. Radio teksts       | Attēlo teksta ziņojumu, piemēram, ziņas tematu u. c.                                    |
| d. Programmas veids   | Attēlo attiecīgajā brīdī klausītās stacijas veidu, piemēram, pops, klasika, ziņas u. c. |
| e. Laiks un datums    | Norāda pašreizējo datumu un laiku.  |

## Staciju saglabāšana iepriekšiestatītajās atmiņas vietās (DAB un FM)

Katram viļņu diapazonam ir 5 atmiņas iepriekšiestatījuma

vietas.

1. Nospiediet ieslēgšanas pogu, lai ieslēgtu radioaparātu.
2. Izmantojot vienu no iepriekš aprakstītajām metodēm, noregulējiet radioaparātu uz nepieciešamo staciju.
3. Nospiediet un turiet nospiestu nepieciešamo atmiņas pogu, līdz displejā tiks parādīts iepriekšiestatītās stacijas numurs, piemēram, "P2 Saved" („P2 saglabāta"). Stacija ir saglabāta izvēlētajās atmiņas pogas vietā.
4. Atkārtojiet šo darbību atlikušajām atmiņas pogām.
5. Iepriekšiestatītajās atmiņas vietās saglabātās stacijas var pārrakstīt, izmantojot iepriekš aprakstīto metodi.

## Staciju atsaukšana no iepriekšiestatītajām atmiņas vietām (DAB un FM)

1. Nospiediet ieslēgšanas pogu, lai ieslēgtu radioaparātu.
2. Nospiediet diapazona pogu, lai izvēlētos vajadzīgo viļņu diapazonu.
3. Uzreiz nospiediet nepieciešamo atmiņas pogu. Displejā tiks parādīts iepriekšiestatītās stacijas numurs un frekvence.

## Mūzikas klausīšanās ar Bluetooth straumēšanu

Jums jāsapāro sava Bluetooth ierīce ar radioaparātu, pirms varat to automātiski saslēgt, lai atskaņotu/straumētu Bluetooth mūziku pa radioaparātu. Pārošana izveido "saiti", lai abas ierīces varētu cita citu atpazīt.

**Piezīme:**

Lai iegūtu labāku skaņas kvalitāti, mēs iesakām iestatīt skaļuma līmeni uz vairāk nekā divām trešdaļām savā Bluetooth ierīcē un pēc tam pēc nepieciešamības noregulēt skaļumu radioaparātā.

## Jūsu Bluetooth ierīces sagatavošana pirmajā reizē

1. Nospiediet Barošanas pogu, lai ieslēgtu radioaparātu. Nospiediet Frekvenču joslas pogu, lai izvēlētos Bluetooth režīmu. Bluetooth indikators Programmas pogās sāk mirgot zilā krāsā, norādot, ka radioaparāts ir atklājams.
2. Aktivizējiet Bluetooth savā ierīcē saskaņā ar ierīces lietotāja rokasgrāmatu, lai savienotos ar radioaparātu. Atrodiet Bluetooth ierīču sarakstu un izvēlieties ierīci ar nosaukumu "DMR112". Dažiem mobilajiem tālruņiem (kas ir aprīkoti ar ierīču versijām, kas ir vecākas par BT2.1 Bluetooth), var būt nepieciešams ievadīt paroli "0000".
3. Kad tas ir pievienots, atskanēs apstiprinājuma skaņa, un Bluetooth indikators uz Programmu pogām paliks degam zilā krāsā. Jūs varat vienkārši izvēlēties un atskaņot mūziku no savas avota ierīces. Skaļumu var regulēt no avota ierīces vai tieši radioaparātā.

4. Izmantojiet vadības elementus jūsu Bluetooth saderīgajā ierīcē vai uz radioaparāta, lai atskaņotu/iepausētu un veiktu navigāciju uz vajadzīgajiem ierakstiem.

#### **Piezīme:**

1. Ja 2 Bluetooth ierīces, sapārotas pirmo reizi, abas meklē jūsu radioaparātu, tā pieejamība parādīsies abās ierīcēs. Tomēr, ja viena ierīce savienojas ar šo ierīci pirmā, tad otra Bluetooth ierīce neatradīs to sarakstā.
2. Ja jūsu Bluetooth ierīce uz laiku ir atvienota no radioaparāta, tad nepieciešams atkal manuāli savienot ierīci ar radioaparātu.
3. Ja " DMR112" rāda jūsu Bluetooth ierīču sarakstu, bet jūsu ierīce nevar ar to savienoties, lūdzu, dzēsiet ierakstu no saraksta un vēlreiz sapārojiet ierīci ar radioaparātu, ievērojot soļus, kas aprakstīti iepriekš.
4. Optimālais Bluetooth straumēšanas diapazons ir aptuveni 10 metri (30 pēdas) (redzamības līnija) līdz radioaparātam, bet ir iespējami arī attālumi līdz 30 metriem (100 pēdām).
5. Ja Bluetooth savienojums tiek zaudēts, jo tiek pārsniegts atvienošanas laiks, tiek pārsniegts optimālais attālums, rodas šķēršļi vai citi traucēkļi, var būt nepieciešams atkal savienot ierīci ar radioaparātu.
6. Fiziskie šķēršļi, citas bezvadu ierīces vai elektromagnētiskās ierīces var ietekmēt savienojuma kvalitāti.
7. Bluetooth savienojamības sniegums var atšķirties atkarībā no savienotajām Bluetooth ierīcēm. Lūdzu, skatiet savas ierīces Bluetooth iespējas, pirms pievienot to radioaparātam. Iespējams, ka sapārotās ierīces neatbalsta visas Bluetooth funkcijas.

### **Audio failu atskaņošana Bluetooth režīmā**

Kad esat veiksmīgi pievienojis savu radioaparātu izvēlētajai Bluetooth ierīcei, varat sākt atskaņot savu mūziku, izmantojot pievienotās Bluetooth ierīces vadības elementus.

1. Kad atskaņošana ir sākta, noregulējiet skaļumu uz vajadzīgo iestatījumu, izmantojot jūsu radioaparāta vai iespējamās Bluetooth ierīces skaļuma pogas.
2. Izmantojiet vadības elementus jūsu ierīcē, lai atskaņotu/iepausētu un veiktu navigāciju uz vajadzīgajiem ierakstiem.

#### **Piezīme:**

1. Ne visas atskaņotāja aplikācijas vai ierīces var atsaukties uz visiem šiem vadības elementiem.
2. Daži mobilie tālruņi var uz laiku atvienoties no jūsu radioaparātu, kad veicat vai saņemat zvanus. Dažas ierīces var uz laiku apklusināt savu Bluetooth audio straumēšanu, kad tās saņem īsziņas, e-pastus vai citu iemeslu dēļ, kuri nav saistīti ar audio straumēšanu. Šāda reakcija ir pievienotās ierīces funkcija, un nenorāda uz jūsu radioaparāta kļūmi.

### **Iepriekš sapārotas Bluetooth avota ierīces atskaņošana**

Jūsu radioaparāts var atcerēties līdz 8 sapārotu ierīču komplektiem; kad atmiņa pārsniedz šo daudzumu, vecākā sapārošanas vēsture tiks pārrakstīta. Ja jūsu Bluetooth ierīce jau iepriekš ir sapārota ar radioaparātu, ierīce atcerēsies jūsu Bluetooth ierīci, un tā mēģinās pievienoties atmiņā saglabātajai ierīcei, kura tika pievienota pēdējā. Ja pēdējā pievienotā ierīce nav pieejama, radioaparāts būs atpazīstams.

### **Jūsu Bluetooth ierīces atvienošana**

Nospiediet un turiet Bluetooth sapārošanas pogu 2-3 sekundes, lai atvienotu jūsu Bluetooth ierīci. Bluetooth indikators Programmas pogās sāk mirgot zilā krāsā, norādot, ka radioaparāts atkal ir atklājams.

### **Ārējās (AUX) ieejas ligzda**

Ir pieejamas divas 3,5 mm stereo ārējās ieejas ligzdas. Viena atrodas radioaparāta priekšā (AUX IN 1); otra atrodas akumulatora nodalījumā (AUX IN 2).

1. Pievienojiet ārējo audio ierīci (piemēram, iPod, MP3 vai CD atskaņotāju) ārējās ieejas ligzdai, izmantojot audio vadu.
2. Vairākas reizes nospiediet un atlaidiet Frekvenču joslas pogu, līdz parādās "AUX IN 1" vai "AUX IN 2", tad tiek aktivizēta AUX funkcija.
3. Lai uzlabotu skaņas kvalitāti, mēs iesakām iestatīt skaļumu uz vairāk nekā divu trešdaļu līmeni jūsu audio ierīcē un pēc tam regulējiet skaļumu radioaparātā pēc nepieciešamības.

#### **PIEZĪME:**

Audio vads nav iekļauts kā standarta piederums.

### **PAPILDU IESTATĪJUMI**

#### **Valodu opcijas**

Šim radioaparātam ir pieejamas astoņas valodu opcijas: angļu, vācu, itāļu, franču, holandiešu, dāņu, norvēģu un poļu.

1. Nospiediet paplašināto iestatījumu pogu.
2. Grieziet skaļuma/regulēšanas/atlasas pogu, līdz displejā redzams „Language” (Valoda). Nospiediet skaļuma/regulēšanas/atlasas pogu, lai ievadītu iestatījumu.
3. Pagrieziet skaļuma/regulēšanas/atlasas pogu, lai izvēlētos vajadzīgo valodu. Nospiediet skaļuma/regulēšanas/atlasas pogu, lai apstiprinātu iestatījumu.

#### **Spilgtuma regulēšana**

Pēc tam var regulēt pogu gaismu.

1. Nospiediet paplašināto iestatījumu pogu.
2. Grieziet skaļuma/meklēšanas vadības/izvēles grozāmo pogu, līdz displejā parādās "Button Light" (poga

gaisma). Nospiediet skaļuma/meklēšanas vadības/izvēles grozāmo pogu, lai ievadītu iestatījumu.

3. Grieziet skaļuma/meklēšanas vadības/izvēles grozāmo pogu, lai izvēlētos "On" (ieslēgts) vai "Off" (izslēgts), lai ieslēgtu vai izslēgtu pogu gaismas funkciju, pēc tam nospiediet skaļuma/meklēšanas vadības/izvēles grozāmo pogu, lai apstiprinātu iestatījumu.

### Sistēmas atiestatīšana

Ja radioaparāts vairs nedarbojas pareizi, vai displejā trūkst ciparu vai tie ir nepilnīgi, veiciet šādu procedūru.

1. Nospiediet paplašināto iestatījumu pogu.
2. Grieziet skaļuma/regulēšanas/atlasē pogu, līdz displejā redzams „Factory Reset” (Rūpnīcas iestatījumi). Nospiediet skaļuma/regulēšanas/atlasē pogu, lai ievadītu iestatījumu.
3. Pagrieziet skaļuma/regulēšanas/atlasē pogu, lai izvēlētos „Yes” (Jā). Nospiediet skaļuma/regulēšanas/atlasē pogu, lai apstiprinātu iestatījumu – notiks pilnīga atiestatīšana.

### Programmatūras versija

1. Nospiediet paplašināto iestatījumu pogu.
2. Grieziet skaļuma/regulēšanas/atlasē pogu, līdz displejā redzams „SW Version” (Programmatūras versija). Nospiediet skaļuma/regulēšanas/atlasē pogu, lai apskatītu radioaparātā instalēto programmatūras versiju.

### Mikro USB pieslēgvietas programmatūras jaunināšanai

Nākotnē šim radioaparātam var būt pieejami programmatūras atjauninājumi.

Ja ir pieejami programmatūras atjauninājumi, programmatūra un informācija par atjauninājumu ielādi radioaparātā ir pieejama **Makita tīmekļa vietnē**.

## TEHNISKĀ APKOPE

#### UZMANĪBU:

**Nekad neizmantojiet gāzolinu, benzīnu, atšķaidītāju, spirtu vai līdzīgus šķidrumus. Tas var radīt izbalēšanu, deformāciju vai plaisas.**

## SPECIFIKĀCIJAS

Jaudas prasības	
Maiņstrāvas barošanas bloks	Līdzstrāva – 12 V, 1,2A, centrālais kontakts pozitīvs
Akumulators	Bloka akumulators: 7,2 V - 10,8 V Slīdes akumulators: 10,8 V - 18 V
Frekvences diapazons	FM 87,50 - 108 MHz DAB/DAB+ 174,928-239,200 MHz
DAB/DAB+ kanālu bloks	DAB (III diapazons) 5A-13F
Saderīgs standarts	DAB/DAB+

Bluetooth®	
(Bluetooth® vārdiskā preču zīme un logotipi ir reģistrētas preču zīmes, kuras pieder Bluetooth SIG, Inc.)	
Bluetooth versija	4,0
Bluetooth profili	A2DP/SCMS-T
Pārraides jauda	Jaudas klase 2
Pārraides diapazons	Optimums: Maks. 10 metri (33 pēdas) Iespējams: Maks. 30 metri (100 pēdas) (atkarīgs no lietošanas apstākļiem)
Atbalstītais kodeks	SBC,AAC
Saderīgs Bluetooth profils	A2DP
Maksimālā radio frekvences jauda:	BT EDR: 3,12dBm BT LE: 2,31dBm
Darba frekvence	2402MHz~2480MHz

Shēma	
Skaļrunis	3,5 collas, 32 omi x 2
Izejas jauda	7,2 V: 0,6 W X 2 12V maks: 1,7 W X 2 14,4 V: 3 W X 2 18 V 4,9 W X 2
Ieejas spaile	3,5 mm diam. (AUX IN1/AUX IN2)
Antenas sistēma	DAB/FM: lokanā stieņa antena
Gabarīti (G x P x A)	282 x 163 x 294 mm
Svars	4,3KG (bez akumulatora)

## LIETUVIŲ KALBA (Originali instrukcija)

### BENDROJO VAIZDO PAAIŠKINIMAS (1~5 pav.)

1. Minkšta lankstaus strypo antena
2. Akumuliatoriaus skyriaus stalčiukas
3. Rankena
4. Akumuliatoriaus skyriaus dangtelis (pridengiantis akumuliatoriaus kasetę)
5. DC IN lizdas
6. Pranešėjas
7. Įjungimo mygtukas
8. Paieškos mygtukas
9. Papildomų nustatymų mygtukas
10. Info mygtukas
11. Iš anksto nustatyti 2-5
12. Automatinio derinimo mygtukas
13. Garso/bangų reguliavimo kontrolė/rankenėlė
14. USB jungtis
15. AUX IN 1
16. Iš anksto nustatytas 1/"Bluetooth" poravimo mygtukas
17. LCD ekranas
18. Įvesties terminalas (AUX IN 2)
19. Baterijos skyrius
20. Mikro USB jungtis programinės įrangos atnaujinimui
21. Akumuliatoriaus kasetė

### ŽENKLAI

Toliau nurodyti įrangai naudojami simboliai. Prieš pradėdami jį naudoti, įsitikinkite, kad suprantate jų reikšmes.



Perskaitykite naudojimo instrukciją.



Tiktai ES valstybėms

Neišmeskite elektros įrangos arba akumuliatoriaus bloko į buitinius šiukšlynus!

Atsižvelgiant į ES direktyvas dėl elektros ir elektroninės įrangos atliekų ir dėl baterijų ir akumuliatorių bei baterijų ir akumuliatorių atliekų ir šių direktyvų siekių įgyvendinimą pagal nacionalinius įstatymus, elektros įrangos ir baterijų bei akumuliatorių atliekas būtina surinkti atskirai nuo kitų buitinių atliekų ir atiduoti antrinių žaliavų perdirbimo aplinkai nekenksmingu būdu punktą.

## SVARBIOS SAUGOS INSTRUKCIJOS

### ⚠️ ĮSPĖJIMAS:

Kai naudojate įrankius su akumuliatoriais, laikykitės būtinų saugos priemonių, įskaitant toliau nurodytas, kad sumažintumėte gaisro, skysčio ištekėjimo iš akumuliatorių ir sužeidimo pavojų.

1. Prieš pradėdami naudoti įrenginį, atidžiai perskaitykite šią instrukciją ir kroviklio instrukciją.
2. Valykite tik sausu skudurėliu.
3. Nemontuokite šalia šilumos šaltinių, pavyzdžiui, radiatorių, šilumos skaitiklių, viryklių ar kitų šilumą skleidžiančių prietaisų (įskaitant stiprintuvus).
4. Naudokite tik gamintojo nurodytus įtaisus/priedus.
5. Išjunkite šį prietaisą iš elektros tinklo lizdo audros su žaibais metu arba, jei ilgai nenaudojate šio prietaiso.
6. Akumuliatorinį radiją su integruotais akumuliatoriais arba atskiru akumuliatoriaus bloku galima krauti tik tam akumuliatoriui skirtu krovikliu. Įkroviklis, kuris tinka vienam akumuliatorių tipui įkrauti, gali kelti gaisro pavojų, jei bus naudojamas su kitų tipų akumuliatoriais.
7. Naudokite akumuliatorinį radiją tik su specialiai jam skirtais akumuliatorių blokais. Naudojant bet kokius kitus akumulatorius, galima sukelti gaisrą.
8. Kai akumuliatorius nėra naudojamas, laikykite jį toliau nuo kitų metalinių daiktų, pavyzdžiui, popieriaus sąvaržėlių, monetų, raktų, vinių, varžtų ir kitų mažų metalinių daiktų, dėl kurių gali kilti trumpasis jungimas tarp kontaktų. Akumuliatorių kontaktų trumpasis jungimas gali sukelti žiežirbų, nudegimų ar gaisrą.
9. Venkite kontakto su įžemintais paviršiais, pavyzdžiui, vamzdžiais, radiatoriais, viryklėmis ir šaldytuvais. Elektros smūgio pavojus padidėja, jeigu jūsų kūnu į žemę gali nutekėti srovė.
10. Netinkamai naudojant, iš akumuliatoriaus gali ištekti skysčio; venkite sąlyčio su juo. Jei sąlytis atsitiktinai įvyko, gausiai nuplaukite vandeniu. Jei skysčio pateko į akis, kreipkitės į gydytoją. Iš akumuliatoriaus ištekėjęs skystis gali sudirginti arba nudeginti odą.
11. Nenaudokite baterijos ar prietaiso, kuris yra sugadintas ar pakeistas. Sugadintos ar pakeistos baterijos gali keistai elgtis ir sukelti ugnį, sprogamą ar sužeisti.
12. Neišmeskite baterijos ar įrenginio į ugnį ar aukštą temperatūrą. Kontaktas su ugnimi ar 130 °C temperatūra gali sukelti sprogamą.
13. Laikykitės visų krovimo instrukcijų ir nekraukite baterijos ar įrenginio aukštesnėje nei instrukcijose nurodytoje temperatūroje. Netinkamas ar aukštesnėje nei noridytoje temperatūroje baterijos krovimas gali ją sugadinti bei padidinti gaisro riziką.
14. Maitinimo kištukas yra naudojamas prietaisui išjungti,

- jis turi išlikti lengvai pasiekiamas ir atjungiamas.
15. Produkto ilgą laiką nenaudokite veikiančio dideliu garsu. Norėdami išvengti žalos, produktą naudokite vidutiniu garsu.
  16. (Tik produktams su LCD ekranu) LCD ekranuose yra skysčio, kuris gali sukelti dirginimą ir apnuodijimą. Skysčiui patekus į akis, burną ar odą, išskalaukite vandeniu.
  17. Stenkitės, kad produktas nepatektų į vandenį ar šlapias vietas. Į prietaisą patekus vandeniui, kils elektros šoko rizika.
  18. Šio produkto neturėtų naudoti žmonės, kurie turi problemų su sumažėjusiu fiziniu aktyvumu (įskaitant vaikus), jutimu, protiniais gebėjimais, ar tiesiog neturintys pakankamai patirties bei išmanymo, išskyrus kai jiems buvo suteiktos instrukcijos ir priežiūra dėl produkto naudojimo žmogaus, atsakingo dėl saugumo. Vaikai turi būti prižiūrimi, jog nežaistų su prietaisu. Gaminį laikykite toliau nuo vaikų.

## SAUGOKITE ŠIĄ INSTRUKCIJĄ

### SPECIFINĖS IMTUVO

#### AKUMULATORIAUS KASETEI

1. Prieš naudodami akumulatoriaus kasetę, perskaitykite visus nurodymus ir įspėjamuosius ženklus, esančius ant (1) akumulatoriaus kroviklio, (2) akumulatoriaus ir (3) gaminio, kuriame naudojamas akumulatorius.
2. Neadykit akumulatoriaus kasetės.
3. Jei įrankio veikimo laikas žymiai sutrumpėjo, tuoj pat nutraukite darbą. Tai gali kelti perkaitimo, nudegimų ar net sprogo pavojų.
4. Jei elektrolito pateko į akis, skalaukite jas švariu vandeniu ir nedelsdami kreipkitės į gydytoją. Gali kilti regėjimo praradimo pavojus.
5. Nesujunkite akumulatoriaus kasetės gnybtų trumpuoju jungimu:
  - (1) Nelieskite gnybtų jokiomis elektrai laidžiomis medžiagomis.
  - (2) Stenkitės nelaikyti akumulatoriaus kasetės kartu su kitais metaliniais daiktais, pavyzdžiui, vinimis, monetomis ir pan.
  - (3) Saugokite akumulatoriaus kasetę nuo vandens ir lietaus. Trumpasis jungimas akumulatoriuje gali sukelti stiprią srovę, perkaitimą, galimus nudegimus ar net akumulatoriaus gedimą.
6. Nelaikykite įrankio ir akumulatoriaus kasetės tose vietose, kur temperatūra gali siekti ar viršyti 50°C (122°F).
7. Nedeginkite akumulatoriaus kasetės, net jei ji yra smarkiai apgadinta ar visiškai susidėvėjusi. Ugnyje akumulatoriaus kasetė gali sprogti.

8. Būkite atsargūs, kad nenumestumėte ar nesutrenktumėte akumulatoriaus.
9. Nenaudokite akumulatoriaus, jei jis sugedęs.
10. Norėdami išvengti pavojaus, prieš naudodami, perskaitykite keičiamo akumulatoriaus naudojimo instrukciją. Be to, maks. akumulatoriaus iškrovimo srovė turi lygi 8A arba didesnė.
11. Ličio jonų baterijos yra įtrauktos į Pavojingų prekių teisės aktų nuostatas. Komerciniam transportui, pvz. Trečiųjų šalių, ekspedijavimo agentų, specialus reikalavimai ant pakuotės- senėjimas ir ženklėjimas turi būti stebimas.

Rengiantis šiam gaminiui būti išsiųstam, pasitarkite su ekspertu dėl pavojingų medžiagų. Taip pat laikykitės daugiau galimų nacionalinių teisės aktų. Atvirus kontaktus užklijuokite lipnia juosta ir bateriją supakuokite taip, kad ji įdėta į kitą vietą, laisvai nejudės.
12. Laikykitės vietinių reglamentų, susijusių su akumulatoriaus utilizavimu.
13. Baterijas naudokite tik su gaminiais nurodytais „Makita“. Baterijų įmontavimas į neatitinkančius reikalavimų produktus gali sukelti gaisrą, didelį karštį, sprogo ar elektrolitų išsiskyrimą.

#### **⚠ PERSPĖJIMAS:**

- **Netinkamai pakeitus akumulatorių, kyla sprogo pavojus.**
- **Pakeiskite tokiu pačiu arba jį atitinkančio tipo akumulatoriumi.**
- **Naudokite tik autentiškas „Makita“ baterijas. Ne autentiškų ar pakeistų „Makita“ baterijų naudojimas gali sukelti sprogo, ugnį, jus sužaloti ar sugesti. Tai taip pat panaikins „Makita“ pakrovėjo ir įrankio garantiją.**

#### **Patarimai kaip prailginti baterijos naudojimo trukmę**

1. Pakraukite bateriją paketą prieš jam visiškai išsikraunant. Visada išjunkite prietaisą ir pakraukite baterijas kai pastebite, kad prietaisas veikia silpniau.
2. Niekada neperkraudite pilnai pakrautos baterijos. Perkrovimas trumpina bendrą baterijos naudojimo trukmę.
3. Kraukite baterijas patalpoje, kur temperatūra yra 10°C - 40°C (50°F - 104°F). Leiskite baterijai atvėsti prieš ją pajungiant krauti.
4. Pakraukite baterijas jei nenaudojote jos ilgą laiką (daugiau nei 6 mėnesius).

# VEIKIMO LAIKAS

\* Lentelė parodo veikimo laiką po pilno pakrovimo:

Akumuliatoriaus galia	Akumuliatoriaus kasetės įtampa					GARSIKALBIO NAŠUMAS = 100mW Vienetas: Valanda (Apytiksliai)	
	7,2 V	10,8 V	10,8 V – maks. 12V	14,4 V	18 V	Veikiant radijo arba AUX režimui	veikiant radijo ir kraunant per USB (1,0A)
1,0 Ah	BL7010					5,0	0,7
1,3 Ah		BL1013				7,0	0,9
				BL1415		5,5	1,7
					BL1815	6,0	1,9
1,5 Ah	BL0715					7,5	1,0
			BL1015 BL1016			8,5	1,7
				BL1415N		7,0	2,0
					BL1815N	7,5	2,0
2,0 Ah			BL1020B BL1021B			11	2,0
					BL1820 BL1820B	10	3,0
3,0 Ah				BL1430 BL1430B		12	3,5
					BL1830 BL1830B	14	4,0
4,0 Ah			BL1040B BL1041B			21	4,0
				BL1440		19	5,5
					BL1840 BL1840B	20	6,0
5,0 Ah				BL1450		23	6,5
					BL1850 BL1850B	26	8,0
6,0 Ah				BL1460B		25	7,5
					BL1860B	31	9,5

 : Blokinis akumuliatorius  : Įstumiamas akumuliatorius

## ⚠️ ĮSPĖJIMAS:

**Akumuliatoriaus kasetes naudokite tik išvardintas viršuje. Kitų akumuliatoriaus kasetių naudojimas gali sukelti traumą ir/ar gaisrą.**

## Pastaba:

Pateikti akumuliatoriaus veikimo laiko lentelės duomenys viršuje yra apytiksliai. Realus veikimo laikas gali skirtis priklausomai nuo to, kokį akumuliatorių naudojate, krovimo sąlygų ar naudojimo aplinkos.

# INSTALIACIJA IR MAITINIMO ŠALTINIS

## ⚠ Įspėjimai:

- Akumuliatoriaus dangtelio atidarymo ir uždarymo metu būkite atsargūs, kad neprispaustumėte pirštų.
- Akumuliatoriaus skyriaus stalčiuką, gražinkite į pradinę padėtį, po akumuliatoriaus kasetės instaliavimo ar pašalinimo. Jei ne, akumuliatoriaus kasetė gali atsitiktinai iškristi radijo, sukeldama sužeidimus jums ar kitiems.
- Prieš keldami ar nešdami radiją, visada uždarykite ir užfiksuokite akumuliatoriaus skyriaus stalčiuką.
- Visuomet išjunkite radiją prieš instaliuodami ar išimdami akumuliatoriaus kasetę.
- Saugokite, kad radijas nenukristų ar nebūtų sutrenktas. Suskilusio dalys gali stipriai įpjauti pirštus ar įsmigti į kitas kūno dalis. Sugadintas radijas gali nenusėjamai suveikti, sukeldamas gaisrą, sproginimą ar sužalojimo pavojus.

## SVARBU:

- Mažesnė galia, deformavimas, užsikertantis garsas arba kai ekrane rodomas "POWERFAIL" yra visi požymiai, kada reikia pakeisti pagrindinę baterija.
- Akumuliatoriaus kasetės negalima įkrauti per kintamosios srovės adapterį (kuris yra prie atsarginių datalių).
- Akumuliatoriaus kasetė nėra įtraukta prie aksesuarų ir standartinių priedų.

## ĮSTUMIAMOS AKUMULIATORIAUS KASETĖS ĮDĖJIMAS ARBA IŠĖMIMAS (2 ir 3 pav.)

1. Jei norite įdėti akumuliatoriaus kasetę, sulygiuokite liežuvėlį ant akumuliatoriaus kasetės su grioveliu korpuse ir įstumkite į skirtą vietą. Visuomet įdėkite iki galo, kol spragtelėdama užsifiksuos.
2. Jei matote raudoną indikatorių viršutinėje mygtuko pusėje, jis ne visiškai užfiksuotas. Įkiškite ją iki galo, kol nebematysite raudono indikatoriaus. Priešingu atveju ji gali atsitiktinai iškristi iš radijo ir sužeisti jus ar aplinkinius.
3. Nenaudokite jėgos dėdami akumuliatoriaus kasetę. Jei kasetė sunkiai lenda, ji neteisingai kišama.
4. Kad išimti akumuliatoriaus kasetę, pastumkite ją kartu pastumdami mygtuką kasetės priekyje.

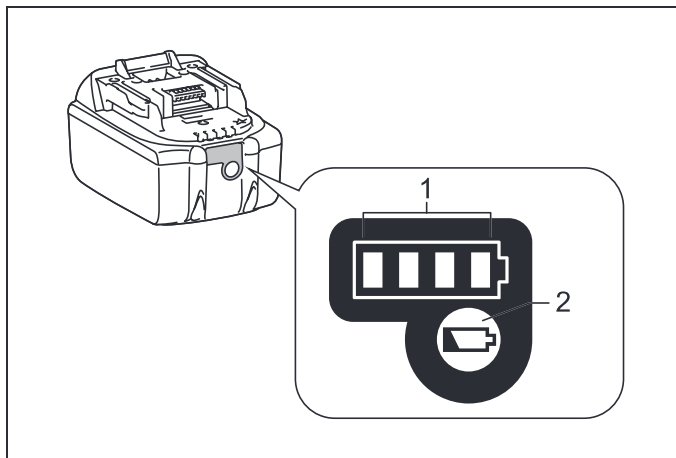
## BLOKINIO AKUMULIATORIAUS KASETĖS ĮDĖJIMAS ARBA IŠĖMIMAS (4 ir 5 pav.)

1. Jei norite įdėti akumuliatoriaus kasetę, sulygiuokite liežuvėlį ant akumuliatoriaus kasetės su grioveliu korpuse ir įstumkite į skirtą vietą.
2. Jei norite išimti akumuliatoriaus kasetę, ištraukite ją iš

įrankio, paspausdami mygtuką, esantį kasetės priekyje.

## LIKUSIOS AKUMULIATORIAUS ENERGIJOS RODYMAS

\* Taikytina tik akumuliatorių kasetėms, kurių modelio numerio gale yra raidė „B“.



➤ **1. Indikatoriaus lemputės** **2. Patikrinimo mygtukas**  
Paspauskite ant akumuliatoriaus kasetės esantį tikrinimo mygtuką, kad būtų rodoma likusi akumuliatoriaus kasetės energija. Kelioms sekundėms užsidegs indikatorių lemputės.

### • 14,4V/18V akumuliatoriai

Lemputės			Baterijos likutis
Deganti	Išsijungusi	Mirkčiojanti	
■ ■ ■ ■			75% ~ 100%
■ ■ ■ □			50% ~ 75%
■ ■ □ □			25% ~ 50%
■ □ □ □			0% ~ 25%
▣ □ □ □			Pakraukite bateriją
■ ■ □ □	↑ ↓	■ ■	Baterija gali būti sugedusi

- **10,8V-12V max akumulatoriai**

Indicator or lamps			Baterijos likutis
Deganti	Išsijungusi	Mirkčiojanti	
			75% ~ 100%
			50% ~ 75%
			25% ~ 50%
			0% ~ 25%

**PASTABA:**

Priklausomai nuo naudojimo sąlygų ir aplinkos temperatūros, lemputčių derinių rodomi likučiai gali skirtis nuo tikrojo likučio.

## LANKSČIOS, NULENKIAMOS ANTENOS NAUDOJIMAS (1 pav.)

Pakelkite lanksčią, nulenkiama antena, kaip parodyta paveikslėlyje.

## KINTAMOSIOS SROVĖS ADAPTERIO NAUDOJIMAS

Norėdami atjungti radiją, maitinimo adapteris turi būti visiškai išimtas iš elektros tinklo.

Nuimkite guminę apsaugą ir įkiškite adapterio kištuką į DC lizdą dešinėje radijo pusėje.

Įjunkite adapterį į standartinį elektros tinklo lizdą.

Kai naudojamas adapteris, baterija automatiškai atsijungia.

**⚠️ ĮSPĖJIMAS:**

- **Prieš ruošdamiesi radiją perkelti iš vienos vietos į kitą, visada visiškai atjunkite kintamosios srovės adapterį. Jei kintamosios srovės adapteris neatjungtas, tai gali sukelti elektros šoką.**
- **Niekada netraukite ir nevilkite adapterio laido. Jei ne, radijas gali atsitiktinai nukristi, sukelti žalą jums ar jūsų aplinkiniams.**

**SVARBU:**

- Maitinimo adapteris naudojamas kaip radijo ryšio su maitinimo šaltiniu priemonė. Radijo tinklui naudojamas lizdas privalo būti prieinamas įprastiniam naudojimui.
- Norėdami atjungti radiją, užtikrinkite, kad maitinimo adapterį visiškai būtų išimtas iš elektros tinklo.
- Naudokite akumulatoriaus maitinimo adapterį pateiktą kartu su gaminiu ar nurodytą „Maikta“ kompanijos.
- Nelaikykite maitinimo kabelio ir kištuko burna. Tą padarius galite gauti elektros šoką.
- Nelieskite maitinimo kištuko drėgnomis ar riebaluotomis rankomis.
- Apgadinti ar susiraizgę laidai gali sukelti elektro šoko pavojų. Jei kabelis sugadintas, norėdami išvengti pavojaus saugumui, jį pakeiskite kreipdamiesi į mūsų

įgaliotus centrus. Nenaudokite jo, kol jis nesutaisytas.

- Po naudojimo, akumulatoriaus maitinimo adapterį visada laikykite toliau nuo vaikų. Žaisdami su kabeliu, jie gali susižeisti.

## ĮKROVIMAS NAUDOJANT USB MAITINIMO PRIEVADĄ

Priekinėje radijo pusėje yra USB prievadas. Galite įkrauti USB prietaisą, prijungę jį prie šio USB prievado.

1. Prijunkite USB prietaisą, pavyzdžiui iPod, MP3 arba kompaktinių diskų grotuvą, naudodami USB kabelį, kurį galite įsigyti specializuotoje parduotuvėje.
2. Įjunkite radiją, paspaudę įjungimo mygtuką.
3. Nesvarbu, ar radijas yra prijungtas prie kintamosios srovės tinklo lizdo, ar naudoja baterijų energiją – įjungus radiją ir pasirinkus FM/DAB radijo režimą, BT režimą arba AUX režimą, kurie yra rodomi prijungus išorinį garso šaltinį, radijas gali įkrauti USB prietaisą.

**Pastaba:**

- Naudojant USB įkrovimui, sumažės maksimalus garsiakalbių garso lygis.
- USB lizde gali būti maks. 1 A, 5 V elektros srovė.

**Svarbu:**

- Prieš prijungdami USB prietaisą prie USB jungties, visada sukurkite atsarginę USB prietaise esančių duomenų kopiją. Antraip gali būti prarasti duomenys.
- Radijas gali neteikti neveikti, priklausomai nuo kitokių USB prietaisų.
- Jeigu USB kabelio nenaudojate arba prietaisą jau įkrovėte, ištraukite USB kabelį ir uždarykite dangtelį.
- Nejunkite energijos šaltinio į USB prievadą. Antraip gali kilti gaisras. USB prievadas skirtas tik žemos įtampos prietaisui įkrauti. Jeigu žemos įtampos prietaiso nekraunate, visada uždenkite USB prievadą dangteliu.
- Nekiškite į USB maitinimo prievadą vinių, laidų ir pan. Antraip gali įvykti trumpasis jungimas ir prietaisas gali pradėti rūkti bei sukelti gaisrą.
- Nesujunkite šio USB lizdo su kompiuterio USB prievadu, nes labai tikėtina, kad bus sugadinti abu įrenginiai.

## NAUDOJIMAS RADIJO KLAUSYMA

Šis radijas turi tris stočių nustatymo būdus: automatinę stočių paiešką, rankinį stočių nustatymą ir iš anksto nustatytų stočių iškvietimą iš atminties.

### STOČIŲ PASIRINKIMAS – DAB

1. Spauskite įjungimo mygtuką, kad įjungtumėte radiją.
2. Spausdami diapazono pasirinkimo mygtuką, parinkite DAB režimą.
3. Paspauskite išplėstinio nustatymo mygtuką ir sukite garso/stočių nustatymo/pasirinkimo rankenėlę, kol ekrane pradės žybcioti užrašas „Station List“ (stočių sąrašas). Spauskite garso/stočių nustatymo/pasirinkimo

rankenėlę, kad būtų atidarytas stočių sąrašas.

4. Sukite garso/stočių nustatymo/pasirinkimo rankenėlę, kad peržiūrėtumėte sąraše esančias stotis. Norėdami pasirinkite stotį, paspauskite rankenėlę.
5. Pereguliuokite garso lygį, sukdami garso/stočių nustatymo/pasirinkimo rankenėlę.

## RODINIŲ REŽIMAI – DAB

Radijui veikiant DAB režimu, galima pasirinkti kelias roдиниų nuostatas:

Spauskite informacijos mygtuką, kad galėtumėte peržiūrėti įvairias parinktis, pateiktas a.–g. punktuose.

- |                               |   |
|-------------------------------|---|
| a. Stoties pavadinimas        | Rodo klausomos radijo stoties pavadinimą.   |
| b. Programos tipas            | Rodo klausomos radijo stoties tipą.<br>Pvz. „Pop“ (popmuzika), „Classics“ (klasika), „News“ (naujienos) ir pan. |
| c. Dauginis pavadinimas       | Rodo DAB dauginio, kuriam priklauso dabartinė stotis, pavadinimą.   |
| d. Laikas ir data             | Rodo dabartinį laiką ir datą.   |
| e. Dažnis ir kanalas          | Rodo tuo metu nustatytos DAB stoties dažnį ir kanalo numerį.  |
| f. Sparta bitais/ garso tipas | Rodo tuo metu nustatytos DAB stoties skaitmeninio garso spartą bitais ir garso tipą.                            |
| g. Signalo stiprumas          | Rodo tuo metu nustatytos DAB stoties signalo stiprumą.  |

## NAUJŲ STOČIŲ SURADIMAS – DAB

Retkarčiais gali atsirasti naujų DAB radijo stočių. Arba jūs galite persikelti į kitą šalies vietą. Tokiu atveju jums gali prireikti suaktyvinti radiją, kad jis surastų naujų stočių. Norint, kad radijas rastų esamas stotis, rekomenduojama atlikti visą visų DAB III diapazono dažnių paiešką.

1. Paspauskite automatinio nustatymo mygtuką.
2. Radijas atliks visą DAB dažnių paiešką. Radus naujų stočių, didės kairėje ekrano pusėje esantis stočių skaitiklio rodmuo ir stotys bus įtraukiamos į sąrašą.

## RANKINIS NUSTATYMAS – DAB

Rankinis nustatymas leidžia jums nustatyti radiją konkrečiam III diapazono DAB dažniui. Šią funkciją taip pat galima naudoti antenos arba radijo padėčiai lengviau nustatyti, kad būtų optimaliai priimami konkretaus kanalo arba dažnio signalai.

1. Paspauskite išplėstinio nustatymo mygtuką ir sukite garso/stočių nustatymo/pasirinkimo rankenėlę, kol ekrane bus rodomas užrašas „Manual Tune“ (rankinis nustatymas). Paspauskite garso/stočių nustatymo/pasirinkimo rankenėlę, kad būtų įjungtas rankinio nustatymo režimas.
2. Sukite garso/stočių nustatymo/pasirinkimo rankenėlę, kad pasirinktumėte norimą DAB kanalą. Paspauskite garso/stočių nustatymo/pasirinkimo rankenėlę, kad

patvirtintumėte pasirinktą dažnį.

## STOČIŲ EILĖS TVARKOS NUSTATYMAS – DAB

Jūsų radijas turi tris stočių eilės tvarkos nuostatas, iš kurių galite pasirinkti bet kurią. Galimos šios stočių eilės tvarkos nuostatos: raidinė skaitmeninė, bendra ir veikianti stotis.

1. Paspauskite išplėstinio nustatymo mygtuką.
2. Sukite garso/stočių nustatymo/pasirinkimo rankenėlę, kol ekrane bus rodoma „Station order“ (stočių eilės tvarka), tada paspauskite garso/stočių nustatymo/pasirinkimo rankenėlę, kad įvestumėte nuostatą.
3. Sukite garso/stočių nustatymo/pasirinkimo rankenėlę, kad pasirinktumėte toliau nurodytas parinktis, ir paspauskite šią rankenėlę, kad patvirtintumėte nuostatą.

Raidinė skaitmeninė	Rūšiuoja stočių sąrašą raidine skaitmenine tvarka: 0...9 A...Z
Bendra	Išdėsto stočių sąrašą pagal DAB dauginį
Veikianti	Rodo tik tas stotis, kurių signalą galima rasti

## DINAMINIO DIAPAZONO VALDYMAS (DRC) – DAB

DRC funkcija gali padėti lengviau išgirsti tylesnius garsus, kai radijas naudojamas triukšmingoje aplinkoje, mažindama dinaminį garso signalo diapazoną. Yra trys glaudinimo lygiai:

- |         |                                    |
|---------|------------------------------------|
| DRC 0   | Glaudinimas neatliekamas.          |
| DRC 1/2 | Atliekamas vidutinis glaudinimas.  |
| DRC 1   | Atliekamas maksimalus glaudinimas. |

1. Spauskite įjungimo mygtuką, kad įjungtumėte radiją.
2. Spauskite diapazono pasirinkimo mygtuką, kad parinktumėte DAB diapazoną.
3. Paspauskite išplėstinio nustatymo mygtuką ir sukite garso/stočių nustatymo/pasirinkimo rankenėlę, kol ekrane bus rodomas užrašas „DRC Value“ (DRC vertė). Tada paspauskite garso/stočių nustatymo/pasirinkimo rankenėlę, kad įvestumėte nuostatą. Ekrane bus rodoma dabartinė DRC vertė.
4. Sukite garso/stočių nustatymo/pasirinkimo rankenėlę, kad pasirinktumėte norimą DRC nuostatą.
5. Paspauskite garso/stočių nustatymo/pasirinkimo rankenėlę, kad patvirtintumėte nuostatą.

## AUTOMATINĖ STOČIŲ PAIEŠKA – FM

1. Spauskite įjungimo mygtuką, kad įjungtumėte radiją.
2. Spausdami diapazono pasirinkimo mygtuką, parinkite norimą radijo bangų diapazoną. Patikrinkite, ar gerai nustatėte lanksčią, nulenkiamą anteną, kad būtų geriausiai priimamos FM bangos. Stenkitės nenaudoti radijo šalia kompiuterio ekrano ar kitų įrenginių, kurie gali kelti radijo trukdžius.
3. Paspauskite automatinio nustatymo mygtuką ir radijas ieškos stočių ir, radęs radijo stotį, automatiškai sustabdys paiešką. Jeigu radus radijo stotį dar kartą nepaspausite

- automatinio nustatymo mygtuko, kad paieška būtų sustabdyta, radijas vėl tęs kitų esamų stočių paiešką.
- Sukite garso/stočių nustatymo/pasirinkimo rankenėlę, kad pasirinktumėte norimą garso lygį. Skystųjų kristalų ekrane bus rodomi garso lygių pakeitimai.
  - Norėdami išjungti radiją, paspauskite įjungimo mygtuką.

## FM PAIEŠKOS SRITIS

Naudojant FM režimą, radiją galima nustatyti taip, kad jis ieškotų arba vietos stočių, arba visų stočių, įskaitant tolimas radijo stotis.

- Spauskite įjungimo mygtuką, kad įjungtumėte radiją.
- Paspauskite paieškos mygtuką, kad pasirinktumėte FM paiešką.
- Paspauskite papildomo nustatymo mygtuką, tada pasukite garso/reguliavimo valdymo/pasirinkimo rankenėlę, kol ekrane pasirodys "FM Scan Zone". Norėdami įvesti nustatymą, paspauskite garso/reguliavimo valdymo/pasirinkimo rankenėlę.
- Pasukite garso/reguliavimo valdymo/rankenėlę, kad apatinėje ekrano eilutėje perjungtumėte tarp galimų "Local" (geriausios stotys) ir "Distant" (visos stotys) nustatymų. "Distant" pasirinkimas leis radijui nuskaityti silpnesnius signalus paieškos metu.
- Paspauskite garso/reguliavimo valdymo/pasirinkimo rankenėlę, kad patvirtintumėte savo pasirinkimą. "Local" ir "Distant" nustatymai, išsaugomi radijo stotyje ir lieka galioti tol, kol jie yra pasikeičiami arba sistemai persikrovus.

## RANKINIS NUSTATYMAS – FM

- Spauskite įjungimo mygtuką, kad įjungtumėte radiją.
  - Norėdami pasirinkti norimą bangų juostą, paspauskite diapazono pasirinkimo mygtuką. Nustatykite anteną, kaip aprašyta pirmiau.
  - Sukant garso/stočių nustatymo/pasirinkimo rankenėlę, dažnis bus keičiamas tokiomis padalomis: FM: 50 kHz
- Pastaba:**
- Norėdami naudoti garso/stočių nustatymo/pasirinkimo rankenėlę norimai stotčiai rasti, paspauskite garso/stočių nustatymo/pasirinkimo rankenėlę, kad įjungtumėte nustatymo valdymo režimą.
- Toliau sukite garso/stočių nustatymo/pasirinkimo rankenėlę, kol ekrane bus rodomas norimas dažnis.
  - Sukite garso/stočių nustatymo/pasirinkimo rankenėlę, kad pasirinktumėte norimą garso lygį.
  - Norėdami išjungti radiją, paspauskite įjungimo mygtuką.

## RODINIŲ REŽIMAI – FM (RDS)

Radijui veikiant FM radijo režimu, galima pasirinkti kelias roдиниų nuostatas.

Pakartotinai paspauskite Informacijos mygtuką, kad peržiūrėtumėte stoties, kurią klausote, RDS (RADIJO DUOMENŲ SISTEMA) informaciją.

- |                          |  |
|--------------------------|--|
| a. Programos stotis      | Rodo klausomos radijo stoties pavadinimą.  |
| b. Dažnis                | Rodo FM signalo dažnį.   |
| c. Radijo tekstas        | Rodo tekstinius pranešimus, pavyzdžiui, naujienas ir pan.  |
| d. Programos pavadinimas | d. Rodo klausomos stoties tipą, pavyzdžiui, „Pop“ (popmuzika), „Classic“ (klasika), „News“ (naujienos) ir pan. |
| e. Laikas ir data        | Rodo dabartinį laiką ir datą.  |

## STOČIŲ IŠSAUGOJIMAS IŠ ANKSTO NUSTATYTŲ STOČIŲ ATMINTYJE (DAB IR FM)

Kiekvienai radijo bangų juostai galima iš anksto nustatyti ir atmintyje išsaugoti 5 radijo stočių nuostatas.

- Spauskite įjungimo mygtuką, kad įjungtumėte radiją.
- Raskite norimą radijo stotį vienu iš pirmiau aprašytų būdų.
- Paspauskite ir palaikykite nuspaudę norimą iš anksto nustatytos radijo stoties mygtuką, kol ekrane bus rodomas iš anksto nustatytos radijo stoties numeris, pavyzdžiui, „P2 Saved“ (P2 išsaugotas). Tuomet stotis yra išsaugota ir priskirta pasirinktam iš anksto nustatytos radijo stoties mygtukui.
- Pakartokite šiuos veiksmus likusioms išankstinėms nuostatomis atlikti.
- Atmintyje išsaugotas radijo stotis galima perrašyti atlikus pirmiau nurodytus veiksmus.

## STOČIŲ IŠKVIETIMAS IŠ ANKSTO NUSTATYTŲ STOČIŲ ATMINTIES (DAB IR FM)

- Spauskite įjungimo mygtuką, kad įjungtumėte radiją.
- Norėdami pasirinkti norimą bangų juostą, paspauskite diapazono pasirinkimo mygtuką.
- Spustelėkite norimos iš anksto nustatytos stoties mygtuką. Ekrane pasirodys iš anksto nustatytos radijo stoties numeris ir dažnis.

## MUZIKOS KLAUSYMAS PER BLUETOOTH

„Bluetooth“ įrenginį turite pirma derinti su radijo. Po to muzika galės groti automatiškai. Derinimas sukurs dviejų įrenginių ryšį todėl jie galės vienas kitą atpažinti.

**Pastaba:**

Norėdami išgauti geresnę garso kokybę, rekomenduojame garsą nustatyti daugiau nei du trečdalius jūsų „Bluetooth“ įrenginio ir tada pakoreguoti radijo garsą

## BLUETOOTH PRIETAISO PORAVIMAS PIRMĄ KARTĄ

- Paspauskite įjungimo mygtuką, kad įjungtumėte radiją. Paspauskite paieškos mygtuką, kad pasirinktumėte

Bluetooth režimą. "Bluetooth" indikatorius ant iš anksto nustatytų mygtukų mirksės mėlynai, tam, kad parodytų, kad radijas yra surandamas poravimui.

2. Aktyvuokite Bluetooth savo įrenginyje kaip nurodyta prietaiso vartotojo instrukcijoje, kad galėtumėte prijungti prie radijo. Suraskite Bluetooth įrenginių sąrašą ir pasirinkite įrenginį pavadinimu "DMR112". Kai kurie mobilieji telefonai gali prašyti įvesti slaptažodį "0000" (tie kuriuose įdiegta ankstesnė nei BT2.1 versija).
3. Kai prisijungs, suskambės patvirtinimo signalas ir Bluetooth indikatorius nustos mirksėti ir liks mėlynas. Galėsite pasirinkti ir groti muziką iš jūsų įrenginio. Garso reguliavimas gali būti atliekamas iš jūsų prijungti įrenginio arba tiesiai iš radijo.
4. Naudokite savo Bluetooth prijungto prietaiso ar radijo valdiklius, kad galėtumėte groti/sustabdyti ir vaikščioti per dainas.

#### **Pastaba:**

1. Jeigu du prietaisai, kuriais prie radijo jungiamas pirmą kartą, ieškos jūsų radijo, jis atsiras abiejų prietaisų sąrašuose. Visgi, kai vienas iš prietaisų prisijungs prie radijo, kitas Bluetooth prietaisas nebegalės jo rasti.
2. Jeigu jūsų Bluetooth prietaisas yra laikinai atsijungęs nuo radijo, jį reiks prijungti prie radijo dar kartą rankiniu būdu.
3. Jeigu "DMR112" atsiranda Bluetooth prietaisų sąrašė tačiau kitas prietaisas prie jo prisijungti negali, ištrinkite radiją iš prietaisų sąrašo ir pridėkite jį iš naujo sekdami prieš tai pateiktas instrukcijas.
4. Optimalus "Bluetooth" srauto diapazonas yra maždaug 10 metrų (30 pėdų) (matomumui nedingstant) radijui, tačiau atstumas iki 30 metrų (100 pėdų) yra įmanomas.
5. Jei "Bluetooth" ryšys prarandamas dėl to, kad viršijamas atskyrimo laikas, viršijamas optimalus atstumas, kliūtys ar kitu atveju, gali prireikti vėl prijungti savo prietaisą su radiju.
6. Fizinės kliūtys, kiti belaidžiai įrenginiai ar elektromagnetiniai įtaisai gali turėti įtakos ryšio kokybei.
7. Bluetooth sąjungos efektyvumas gali skirtis priklausomai nuo prijungtų prietaisų. Pasidomėkite savo prietaiso Bluetooth galimybėmis prieš prijungdami jį prie radijo. Ne visos funkcijos gali būti atkurimos prijungiant tam tikrus prietaisus.

### **Audio failų grojimas Bluetooth režime**

Kai sėkmingai prijungėte savo prietaisą prie radijo, galite groti muziką naudodami valdymo mygtukus and savo Bluetooth įrenginio.

1. Kai daina jau groja, galite reguliuoti garsą naudodami Garso mygtukus ant savo radijo ar Bluetooth įrenginio.
2. Naudokite mygtukus ant savo įrenginio, kad paleistumėte/sustabdytumėte ar pasirinktumėte dainą.

#### **Pastaba:**

1. Ne visi grotuvai ar įrenginiai gali reaguoti į šiuos mygtukus.
2. Kai kurie mobilieji telefonai gali laikinai atsijungti nuo

jūsų radijo kai jūs skambinate arba gaunate skambutį. Kai kurie prietaisai gali trumpam nutildyti Bluetooth garso perdavimą kai gaunate žinutę, laišką ar dėl kitų priežasčių nesusijusių su grojimo funkcijomis. Tokie dalykai yra jūsų prijungto prietaiso funkcijos ir nerodo, kad jūsų radijas yra sugedęs.

### **NEBE PIRMĄ KARTĄ SUPORUOTŲ PRIETAISŲ PER BLUETOOTH REŽIMĄ NAUDOJIMAS**

Jūsų radijas gali įsiminti iki 8 prijungtų įrenginių, kai šis skaičius yra viršijamas, seniausias prijungtas prietaisas bus perrašytas į naują. Jeigu jūsų įrenginys kartą jau buvo prijungtas prie radijo, šis atsimins įrenginį ir bandys prie jo prisijunti naudodamas įsimintus duomenis. Jeigu paskutinis prijungtas įrenginys nebus aptiktas, radijas atsiras prieinamų Bluetooth įrenginių sąrašė.

### **Bluetooth įrenginio atjungimas**

Paspauskite ir palaikykite Bluetooth poravimo mygtuką 2-3 sekundes, tam, kad atjungtumėte nuo savo Bluetooth prietaiso. Bluetooth indikatorius vėl mirksės mėlynai, rodydamas kad radijas gali būti pasiekiamas suporavimui.

### **PAPILDOMI ĮVESTIES LIZDAI**

Yra du 3,5 mm stereo papildomi įvesties lizdai. Vienas yra jūsų radijo priekyje (AUX IN 1); kitas yra baterijos skyriuje (AUX IN 2).

1. Prijunkite išorinį garso šaltinį (pavyzdžiui, iPod, MP3 ar CD grotuvą) prie pagalbinės įvesties lizdo su garso laido pagalba.
2. Pakartotinai paspauskite ir atleiskite paieškos mygtuką, kol pasirodys "AUX IN 1" arba "AUX IN 2", tada AUX funkcija bus įjungta.
3. Norint užtikrinti geresnę garso kokybę, rekomenduojame jūsų garso įrenginyje nustatyti garsą daugiau kaip dviem trečdaliais, o tada reguliuoti garsą ant radijo imtuvo, jei reikia.

#### **PASTABA:**

garso laidas nėra priskirtas prie standartinių priedų.

### **KITI NUSTATYMAI**

#### **KALBŲ PARINKTYS**

Radijuje galima pasirinkti bet kurią iš aštuonių kalbų: anglų, vokiečių, italų, prancūzų, olandų, danų, norvegų ir lenkų.

1. Paspauskite išplėstinio nustatymo mygtuką.
2. Sukite garso/stočių nustatymo/pasirinkimo rankenėlę, kol ekrane bus rodoma „Language“ (kalba). Paspauskite garso/stočių nustatymo/pasirinkimo rankenėlę, kad įvestumėte nuostatą.
3. Sukite garso/stočių nustatymo/pasirinkimo rankenėlę, kad pasirinktumėte norimą kalbą. Paspauskite

garso/stočių nustatymo/pasirinkimo rankenėlę, kad patvirtintumėte nuostatą.

## ŠVIESUMO VALDYMAS

Mytukas Light gali būti pakoreguotas.

1. Paspauskite išplėstinio nustatymo mygtuką.
2. Pasukite garso/reguliavimo valdymo/rankenėlę, kol ekrane pasirodys "Button Light". Norėdami įvesti nustatymą, paspauskite garso/reguliavimo valdymo/pasirinkimo rankenėlę.
3. Pasukite garso/reguliavimo valdymo/rankenėlę, kad pasirinktumėte "Įjungta" arba "Išjungta", kad įjungtumėte arba išjungtumėte mygtuko apšvietimo funkciją, tada patvirtinkite nustatymą paspausdami garso/reguliavimo valdymo/rinkimo mygtuką.

## SISTEMOS ATITAIŠYMAS

Jeigu radijas veikia netinkamai arba ekrane nerodomi kai kurie skaitmenys arba jie rodomi netinkamai, atlikite šiuos veiksmus.

1. Paspauskite išplėstinio nustatymo mygtuką.
2. Sukite garso/stočių nustatymo/pasirinkimo rankenėlę, kol ekrane bus rodoma „Factory Reset“ (gamyklos parametru atkūrimas). Paspauskite garso/stočių nustatymo/pasirinkimo rankenėlę, kad įvestumėte nuostatą.
3. Sukite garso/stočių nustatymo/pasirinkimo rankenėlę ir pasirinkite „Yes“ (taip). Paspauskite garso/stočių nustatymo/pasirinkimo rankenėlę, kad patvirtintumėte nuostatą, ir sistema bus visiškai atkurta.

## PROGRAMINĖS ĮRANGOS VERSIJA

1. Paspauskite išplėstinio nustatymo mygtuką.
2. Sukite garso/stočių nustatymo/pasirinkimo rankenėlę, kol ekrane bus rodoma „SW Version“ (programinės įrangos versija). Spauskite garso/stočių nustatymo/pasirinkimo rankenėlę, kad būtų rodoma radijuje įdiegtos programinės įrangos versija.

## „MICRO-USB“ PRIEVADAS PROGRAMINEI ĮRANGAI NAUJINTI

Vėliau gali būti sukurtos ir pateiktos naujos programinės įrangos versijos.

Atsiradus naujų programinės įrangos versijų, informacijos, kaip atnaujinti savo radiją, rasite „Makita“ tinklavietėje.

## TECHNINĖ PRIEŽIŪRA

### ⚠ PERSPĖJIMAS:

Niekada nenaudokite gazolino, benzino, tirpiklio, spirito arba panašių medžiagų. Gali atsirasti išblukimų, deformacijų arba įtrūkimų.

## TECHNINIAI DUOMENYS

Maitinimo sistemos reikalavimai	
Kintamosios srovės adapteris	DC 12 V 1,2A, centrinis kontaktas teigiamas
Akumulatorius	Blokinis akumulatorius: 7,2 V - 10,8 V Įstumiamas akumulatorius: 10,8 V - 18 V
Dažnių juosta	FM 87,50 - 108 MHz DAB/DAB+ 174,928-239,200 MHz
DAB/DAB+ Kanalių paketas	DAB (III dažnių juosta) 5A-13F
Suderinamas standartas	DAB/DAB+

Bluetooth®	
(Žodis „Bluetooth®“ ir logotipai yra „Bluetooth SIG, Inc.“ registruotieji prekių ženklai)	
„Bluetooth“ versija	4,0
„Bluetooth“ aplinka	A2DP/SCMS-T
Transliacijos pajėgumas	Galingumo klasė 2
Transliacijos veikimo zona	Optimalus: Max.10 metrų (33 pėdų) Įmoanomas: Max. 30 metrų (100 pėdų) (gali skirtis, priklausomai nuo naudojimo sąlygų)
Palaikomos koduotės	SBC,AAC
Tinkama „Bluetooth“ aplinka	A2DP
Maksimali radijo dažnio jėga:	BT EDR: 3,12dBm BT LE: 2,31dBm
Veikimo dažnis	2402MHz~2480MHz

Elektros grandinės savybės	
Garsiakalbis	3,5 colio, 320mų x 2
Išvesties galia	7,2 V: 0,6 W X 2 12Vmax: 1,7 W X 2 14,4 V: 3 W X 2 18 V: 4,9 W X 2
Įvesties lizdas	3,5 mm skersmens (AUX IN1/AUX IN2)
Antenos sistema	DAB/FM: lanksti, nulenkiama antena
Matmenys (I x P x A)	282 x 163 x 294 mm
Svoris	4,3KG (be akumulatoriaus)

## ÜLDVAATE SELGITUS (Joon. 1–5)

1. Pehme painutatav varras-antenn
2. Akupesa
3. Käepide
4. Akupesa kaas (katab akut)
5. DC IN pistikupesa
6. Kõlar
7. Toitenupp
8. Band nupp
9. Täiendav seadistusnupp
10. Info nupp
11. Eelseade 2-5
12. Automaatne häälestusnupp
13. Helitugevuse/Reguleerimise/Valiku nupp
14. USB-toiteallikas
15. Sisend 1 (AUX IN 1)
16. Eelseade 1/Bluetooth-i sidumisnupp
17. LCD ekraan
18. Sisend 2 (AUX IN 2)
19. Akupesa
20. Micro USB-port tarkvara uuendamiseks
21. Aku

## SÜMBOLID

Järgnevalt kirjeldatakse seadmel kasutatavaid sümboleid. Veenduge, et olete nende tähendusest aru saanud enne seadme kasutamist.



Lugege kasutusjuhendit.



Üksnes ELi liikmesriikidele  
Ärge käideldge kasutuskõlbmatuks muutunud elektriseadmeid ega akusid koos olmejäätmetega!  
Vastavalt Euroopa Parlamendi ja Nõukogu direktiividele elektri- ja elektroonikaseadmete jäätmete kohta ning patareide ja akude ning patareid ja akujäätmete kohta ning nende nõuete kohaldamisele liikmesriikides tuleb kasutuskõlbmatuks muutunud elektriseadmed ja akud koguda eraldi ja keskkonnasäästlikult korduskasutada või ringlusse võtta.

## TÄHTSAD OHUTUSJUHISED

### ⚠ HOIATUS:

Elektriseadmete kasutamisel tuleb tulekahju-, elektrilöögi-

ja vigastumise ohu vähendamiseks alati järgida peamisi ohutusjuhiseid ettevaatusabinõusid, kaasa arvatud järgmisi:

1. Enne kasutamist tutvuge põhjalikult selle kasutusjuhendiga ja laadija kasutusjuhendiga.
2. Puhastamisel kasutage ainult kuiva lappi.
3. Vältige seadme paigaldamist soojusallikate lähedale, näiteks radiaatorite, küttesüsteemi ventilatsioonirestide, ahjude ja muude soojusallikate (kaasa arvatud võimendajad) lähedale.
4. Kasutage ainult tootja poolt ette nähtud lisaseadmeid.
5. Äikesetormide ajal või pikaajalisel mittekasutamisel ühendage seade toitevõrgust lahti.
6. Akuraadios kasutatavate akude või eraldi akude laadimiseks on lubatud kasutada ainult selleks ettenähtud laadijat. Laadija, mis sobib ühte tüüpi akudega, võib teist tüüpi akude kasutamisel tekitada tuleohtu.
7. Kasutage akuraadiot üksnes ettenähtud akudega. Mis tahes muude akude kasutamine võib tekitada tuleohtu.
8. Kui te parajasti akut ei kasuta, ärge hoidke seda koos muude metallesemetega, nagu kirjaklambrid, mündid, võtmed, naelad, kruvid jm väiksed metallesemed, mis võivad tekitada ühenduse klemmide vahel. Akuklemmide lühistamine võib põhjustada sädemeid, põletusi või tulekahju.
9. Vältige keha kokkupuudet maandatud pindadega, nagu torud, radiaatorid, pliidid ja külmikud. Maandatud keha korral on elektrilöögi oht oluliselt suurem.
10. Väärkasutamise tagajärjel võib akut välja valguda vedelikku – vältige kokkupuudet sellega. Kui olete vedelikuga siiski kogemata kokku puutunud, loputage saastunud kohta veega. Kui vedelik on sattunud silma, pöörduge kohe arsti poole. Akust väljalagunenud vedelik võib põhjustada ärritust ja põletusi.
11. Ärge kasutage aku kassetti või tööriista, mis on viga saanud või mida on muudetud. Viga saanud või muudetud akud võivad käituda ettearvamatu ning tekitada tulekahju, plahvatada või muul moel vigastusi tekitada.
12. Hoidke aku kassett või tööriist eemal leekidest ja kõrgetest temperatuuridest. Leekide läheduses või temperatuuridel üle 130 °C võib aku plahvatada.
13. Järgige laadimisel kaasasolevad juhendeid ning ärge laadige akut või tööriista kui temperatuurid on madalamad või kõrgemad juhendites näidatust. Ebakorrektnel laadimine või laadimine valel temperatuuridel võib akut kahjustada ja suurendada tuleohtu.
14. Toitepistikut kasutatakse seadme vooluvõrgust lahutamiseks, see peab olema hõlpsasti ligipääsetav.
15. Ärge kasutage toodet kõrgel helitugevusel pika aja jooksul. Kuulmiskahjustuste vältimiseks kasutage toodet vaid mõõduka helitugevusega.

16. (Ainult vedelkristallekraaniga (LCD) toodete puhul) LCD ekraanid sisaldavad vedelikku, mis võib põhjustada ärritust ja mürgitust. Kui see vedelik satub silma, suhu või nahale loputage seda veega ja pöörduge arsti poole.
17. Kaitske toodet vihma ja vee eest. Kokkupuude veega suurendab elektrilöögi ohtu.
18. See toode ei ole ette nähtud kasutamiseks isikutele (sealhulgas lastele), kellel on ebapiisavad füüsilised, sensoorsed või vaimsed võimed, või puuduvad kogemused ja teadmised, välja arvatud juhul, kui neil on järelvalve või nende ohutuse eest vastutav isik on neid juhendanud. Lapsi tuleks jälgida, et nad ei mängiks tootega. Hoidke toodet lastele kättesaamatus kohas.

## HOIDKE JUHEND ALLES!

# OHUTUSE ERINÕUDED

### AKU KOHTA

1. Enne akukasseti kasutamist lugege läbi kõik (1) akulaadijal, (2) akul ja (3) akut kasutaval tootel olevad juhised ja hoiatused.
2. Ärge monteerige akukassetti lahti.
3. Kui tööaeg lüheneb märgatavalt, lõpetage koheselt kasutamine. Edasise kasutamisega võib kaasned a ülekuumenemisoht, põletused või isegi plahvatus.
4. Kui elektrolüüti satub silma, loputage silmi puhta veega ja pöörduge kohe arsti poole. See võib põhjustada pimedaks jäämist.
5. Ärge tekitage akukassettis lühist:
  - (1) Ärge puutuge klemme elektrijuhtidega.
  - (2) Ärge hoidke akukassetti tööriistakastis koos metallesemetega, nagu naelad, mündid jne.
  - (3) Ärge tehke akukassetti märjaks ega jätke seda vihma kätte. Aku lühis võib põhjustada tugevat elektrivoolu, ülekuumenemist, põletusi ning ka seadet tõsiselt kahjustada.
6. Ärge hoidke tööriista ega akukassetti kohtades, kus temperatuur võib tõusta üle 50 °C.
7. Ärge põletage akukassetti isegi siis, kui see on saanud tõsiselt kahjustada või on täiesti kulunud. Akukassett võib tules plahvatada.
8. Olge ettevaatlik ja ärge laske akul maha kukkuda ning vältige lööke selle pihta.
9. Ärge kasutage kahjustatud akut.
10. Ohu vältimiseks tuleb enne kasutamist lugeda väljavahetatava aku kasutusjuhendit. Aku maksimaalne tühjenemisvool peaks olema 8 A või suurem.
11. Kaasasolevatele liitium-ioon akudele kehtivad ohtlike kaupade kohta käivad seadused ja nõuded. Kommerts-eesmärgil transportimiseks, nt kolmandate

osapoolte ja ekspordifirmade poolt, tuleb järgida pakkimise ja märgistamise erinõudeid.

Valmistades toodet ette tarnimiseks on nõutav konsulteerida ohtlike toodete eksperdiga. Palun kontrollige ka detailseid kohalikke nõudeid. Katke ja kaitske lahtiseid aku kontakte ja pakendage aku selliselt, et see ei saa pakendi sees liikuda.

12. Akut utiliseerides järgige kohalikku seadusandlust.
13. Kasutage akusid vaid Makita poolt määratud toodetega. Muude mittesobivate toodetega kasutamine on tule- ja plahvatusohtlik ning võib kaasa tuua ülekuumenemise ja lekkimise.

### **ETTEVAATUST:**

- **Valesti välja vahetatud aku põhjustab plahvatusohtu.**
- **Kasutage väljavahetamiseks ainult sama või võrdväärset tüüpi akut.**
- **Kasutage vaid ehtsaid Makita akusid. Järgi tehtud Makita akude või muudetud akude kasutamine võib tekitada tulekahju, kehalisi vigastusi ja kahju. See tühistab ka Makita tööriistadele ja laadijale kehtiva Makita garantii.**

### **Nõuandeid aku eluea pikendamiseks**

1. Laadige akut enne, kui see täielikult tühjeneb. Kui märkate kõlari töövõimsuse vähenemist, lülitage see välja ning laadige akut.
2. Ärge kunagi laadige täislaetud akut. Ülelaadimine lühendab aku eluiga.
3. Laadige akut toatemperatuuril 10°C – 40°C (50°F – 104°F). Laske kuumenenud akul esiti maha jahtuda.
4. Laadige akut, kui te pole seda pikema aja jooksul kasutanud (rohkem kui 6 kuu jooksul).

# KASUTUSAEG

\* Järgnev tabel näitab aku kestust ühekordse laadimisega.

Aku mahtuvus	Akukasseti pinge					KÕLARI VÄLJUND = 100mW Ühik: tund (ligikaudne)	
	7,2 V	10,8 V	10,8 V – 12Vmax	14,4 V	18 V	Raadios või AUX-is	USB Laadimisega Raadios (1,0A)
1,0 Ah	BL7010					5,0	0,7
1,3 Ah		BL1013				7,0	0,9
				BL1415		5,5	1,7
					BL1815	6,0	1,9
1,5 Ah	BL0715					7,5	1,0
			BL1015 BL1016			8,5	1,7
				BL1415N		7,0	2,0
					BL1815N	7,5	2,0
2,0 Ah			BL1020B BL1021B			11	2,0
					BL1820 BL1820B	10	3,0
3,0 Ah				BL1430 BL1430B		12	3,5
					BL1830 BL1830B	14	4,0
4,0 Ah			BL1040B BL1041B			21	4,0
				BL1440		19	5,5
					BL1840 BL1840B	20	6,0
5,0 Ah				BL1450		23	6,5
					BL1850 BL1850B	26	8,0
6,0 Ah				BL1460B		25	7,5
					BL1860B	31	9,5

□ : kobaraku □ : liugaku

## ⚠ HOIATUS:

**Kasutage ainult ülaltoodud akut. Muude akude kasutamine võib põhjustada vigastusi ja/või tulekahju.**

## Märkus:

Aku tööaja tabel on vaid võrdluseks. Tegelik tööaeg sõltub konkreetsest aku tüübist, laadimistingimustest ja kasutuskeskkonnast.

# PAIGALDAMINE JA TOID

## ⚠ ETTEVAATUST:

- Aku katete avamisel ja sulgemisel olge ettevaatlik, et mitte sõrmi vahele jätta.
- Pärast aku paigaldamist või eemaldamist pange akupesa kate algsesse asendisse. Kui seda ei tee, võib aku juhuslikult raadiost välja tulla, põhjustades vigastusi teile või kellelegi teie ümber.
- Enne raadio liigutamist sulgege ja lukustage alati akupesa.
- Enne aku paigaldamist või eemaldamist lülitage raadio alati välja.
- Olege ettevaatlik, et raadio maha ei kukuks ega puruneks. Purunenud kere võib lõigata sõrme või teid muul moel vigastada. Kahjustatud raadio võib ettearvamatult käituda, nt põhjustada vigastusi, tulekahju või plahvatada.

## OLULINE:

- Aku tuleb välja vahetada, kui võimsus väheneb, aku moonduv, kostub katkendlikku heli, või kui ekraanile ilmub kiri "POWERFAIL".
- Akut ei saa laadida kaasasoleva vahelduvvooluadapteri kaudu.
- Aku ei kuulu standardsete tarvikute hulka.

## Liugaku paigaldamine või eemaldamine (Joon. 2 ja 3)

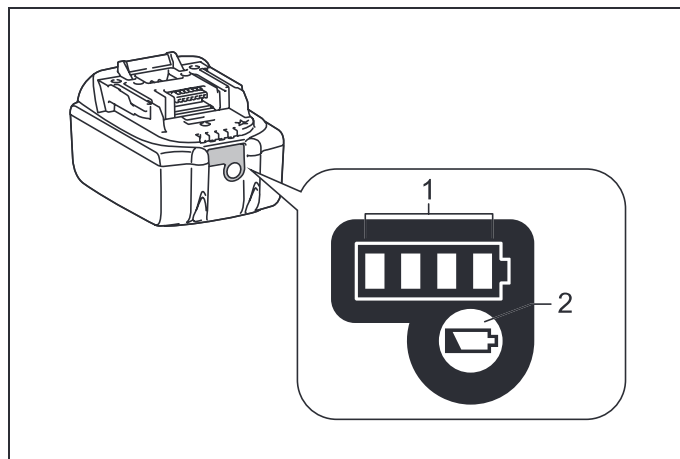
1. Aku paigaldamiseks joondage akukasseti keel korpuse soonega ja libistage kassett kohale. Paigaldage aku nii kaugemale, et see lukustuks klõpsatusega oma kohale.
2. Kui näete nupu ülaosas punast indikaatorit, pole aku täielikult lukustunud. Paigaldage see täies ulatuses nii, et punane indikaator ei jääks näha. Vastasel korral võib aku raadiost välja kukkuda ning vigastada teid või läheduses viibivaid inimesi.
3. Ärge kasutage aku paigaldamisel jõudu. Kui aku ei lähe kergesti sisse, pole see õigesti paigaldatud.
4. Aku eemaldamiseks libistage see raadiost välja, samal ajal aku esiosas olevast nupust liigutades.

## Kobaraku paigaldamine või eemaldamine (Joon. 4 ja 5)

1. Aku paigaldamiseks joondage aku keel korpuse soonega ja libistage see kohale.
2. Aku eemaldamiseks võtke see klemmi küljest lahti, vajutades samal ajal aku küljel paiknevaid nuppe.

## Aku järelejäänud mahtuvuse näit

\* Ainult need akud, mille mudeli numbri lõpus on „B“.



## ➤ 1. Näidik 2. Kontrollnupp

Vajutage akul olevat kontrollinuppu, et näidata aku järelejäänud mahtuvust. Märkulambid hakkavad mõneks sekundiks põlema.

## • 14,4V/18V akud

Näidiku tuled			Allesolev akutase
Tuli sees	Tuli väljas	Tuli vilgub	
■ ■ ■ ■			75% ~ 100%
■ ■ ■ □			50% ~ 75%
■ ■ □ □			25% ~ 50%
■ □ □ □			0% ~ 25%
▬ □ □ □			Laadige akut
■ ■ □ □	↑ ↓	■ ■	Aku töös võib esineda probleeme

## • 10,8V-12V max akud

Näidiku tuled			Allesolev akutase
Tuli sees	Tuli väljas	Tuli vilgub	
■ ■ ■ ■			75% ~ 100%
■ ■ ■ □			50% ~ 75%
■ ■ □ □			25% ~ 50%
■ □ □ □			0% ~ 25%

## MÄRKUS:

Sõltuvalt kasutustingimustest ja ümbritsevast temperatuurist, võib näidik tegelikust akutasemest veidi

erineda.

## Pehme painduva varrasantenni kasutamine (Joon. 1)

Tõstke pehme painduv varrasantenn üles vastavalt joonisele.

## Kaasasoleva vahelduvvooluadapteri kasutamine

Eemaldage kummikork ja asetage adapteri pistik raadiosaatja paremal küljel asuvasse DC pesasse. Ühendage adapter standardse pistikupesaga. Kui kasutate adapterit, katkeb aku kasutamine automaatselt.

### ⚠ ETTEVAATUST:

- Enne raadio teisaldamist eemaldage selle küljest alati täielikult vahelduvvooluadapter. Kui vahelduvvooluadapterit ei eemaldata, võib sellelt saada elektrilöögi.
- Ärge kunagi tõmmake ega vinnake järgi adapteri juhut. Vastasel juhul võib raadio kukkuda ja vigastada teid endid või kõrvalseisjaid.

### OLULINE:

- Võrguadapterit kasutatakse raadio ühendamiseks võrgutoitega. Raadio jaoks kasutatav pistikupesa peab normaalse kasutuse ajal olema ligipääsetav.
- Raadio lahtiühendamiseks tuleb pistik täielikult välja tõmmata.
- Kasutage vaid seadmega kaasas olevat või Makita poolt soovitatud vahelduv-vooluadapterit.
- Ärge hoidke toitekaablit ega pistikut suuga. See võib põhjustada elektrilöögi.
- Ärge puudutage toitepistikut märgade või rasvade kätega.
- Kahjustunud või põimunud juhtmed tõstavad elektrišoki riski. Kui juhtmed on viga saanud, asendage need ohu vältimiseks vaid meie volitatud teeninduskeskus. Ärge kasutage seadet enne remonti.
- Pärast kasutamist hoidke alati vahelduv-vooluadapterit lastele kättesaamatus kohas. Kui lapsed mängivad juhtmetega, võivad nad vigastada saada.

## Laadimine USB toitepordiga

Raadio esiküljel on USB-port. Te saate USB-seadmeid laadida USB-pordi kaudu.

1. Ühendage USB-seade, nagu iPod, MP3- või CD-mängija, turul saadavaloleva USB-kaabliga.
2. Vajutage toitenuppu, et raadio sisse lülitada.
3. Olenemata sellest, kas raadio on vahelduvvoolutoitega või akutoitega, laeb raadio USB- seadet sel ajal, kui raadio on sisse lülitatud ja FM/DAB raadio režiimis, BT-režiimis või AUX-režiimis, mis ilmub välise audioallika ühendamisel.

### Märkus:

- Kõlari maksimaalne väljundvõimsus väheneb, kui USB laeb.
- USB-pesa tagab max elektrivoolu 1 A 5 V.

### Tähtis:

- Enne USB-seadme ühendamist USB pordigaa varundage alati USB-seadme andmed. Vastasel juhul võivad andmed kaotsi minna.
- Raadio toide mõnele USB-seadmele võib olla puudulik.
- Kui olete kasutamise või laadimise lõpetanud, eemaldage USB-kaabel ja sulgege kate.
- Ärge ühendage toiteallikat USB-porti. Sellega võib kaasneda tulekahju. USB-port on mõeldud ainult madalapingeseadmete laadimiseks. Asetage alati USB-pordile kate, kui te ei laadi madalapingeseadet.
- Ärge pange USB toiteporti naelu, traati jne. Vastasel juhul võib tekkinud lühis põhjustada suitsu ja tulekahju.
- Ärge ühendage seda USB-d oma arvuti USB porti, kuna see võib suure tõenäosusega põhjustada seadmete rikke.

## RAADIO KUULAMINE

Raadiol on kolm häälestusmeetodit – skaneeriv häälestus, käsijuhtimisega häälestus ja mälu eelseadistuste kasutamine.

### Jaama valimine – DAB

1. Raadio sisselülitamiseks vajutage toitenuppu.
2. Valige DAB-režiim, vajutades laineala nuppu.
3. Vajutage täiustatud seadistuse nuppu ja keerake helitugevuse/häälestamise/valimise nuppu, kuni näidikul hakkab vilkuma „Station List“ (jaamade loend). Jaamade loendisse sisenemiseks vajutage helitugevuse/häälestamise/valimise nuppu.
4. Saadavalolevate jaamade sirvimiseks keerake helitugevuse/häälestamise/valimise nuppu. Jaama valimiseks vajutage nuppu.
5. Reguleerige helitugevus sobivaks, keerates helitugevuse/häälestamise/valimise nuppu.

### Näidiku režiimid – DAB

Raadio näidikul on DAB-režiimis mitmesugused võimalused.

Vajutage teabenuppu, et sirvida erinevaid võimalusi, mis on näidatud järgmiste tähtedega (a. kuni g.).

- |                       |  |
|-----------------------|--|
| a. Jaama nimi         | Kuvab kuulatava jaama nime.  |
| b. Programmi tüüp     | Kuvab kuulatava jaama tüübi. Nt Pop (popmuusika), Classics (klassikaline muusika), News (uudised) jne. |
| c. Multipleksi nimi   | Kuvab selle DAB multipleksi nime, kellele käesolev jaam kuulub.  |
| d. Kellaeg ja kuupäev | Kuvab praeguse kellaaja ja kuupäeva.   |

e. Sagedus ja kanal	Kuvab praegu häälestatud DAB jaama sageduse ja kanali numbri.
f. Bitikiirus/heli tüüp	Kuvab praegu häälestatud DAB jaama digitaalse heli bitikiiruse ja heli tüübi.
g. Signaali tugevus	Kuvab praegu häälestatud DAB jaama signaali tugevuse.

Komplekt	Korrastab jaamade loendit DAB multiplexi järgi
Kehtiv	Kuvab ainult need jaamad, mille signaali saab leida

## Uute jaamade otsimine – DAB

Aeg-ajalt võetakse kasutusele uued DAB raadiojaamad. Või siis teie kolite riigi teise piirkonda. Sellisel juhul võib teil tekkida vajadus aktiveerida oma raadio, et skaneerida uusi jaamasid.

Selleks, et võimaldada raadiol otsida saadavalolevaid jaamasid, on soovitatav teha kogu DAB laineala III sageduste täielik skaneerimine.

1. Vajutage automaatse häälestuse nuppu.
2. Raadio teostab DAB sageduste täieliku skaneerimise. Uute jaamade leidmisel hakkab näidiku vasakpoolisel küljel olev jaamaloendur suurenema ning jaamad lisatakse loendisse.

## Käsijuhtimisega häälestus – DAB

Käsijuhtimisega häälestus võimaldab teil häälestad oma raadio konkreetsele DAB sagedusele lainealas III. Seda funktsiooni saab kasutada ka antenni või raadio positsioonimiseks, et optimeerida konkreetse kanali või sageduse vastuvõttu.

1. Vajutage täiustatud seadistuse nuppu ja keerake helitugevuse/häälestamise/valimise nuppu, kuni näidikule kuvatakse „Manual Tune“ (käsijuhtimisega häälestus). Käsijuhtimisega häälestuse režiimi sisenemiseks vajutage helitugevuse/häälestamise/valimise nuppu.
2. Sobiva DAB kanali valimiseks keerake helitugevuse/häälestamise/valimise nuppu. Valitud sageduse kinnitamiseks vajutage helitugevuse/häälestamise/valimise nuppu.

## Jaama järjekorra häälestus – DAB

Raadiol on 3 jaama järjekorra seadistust, mille seast saate valida. Jaama järjekorra seadistused on tähelisnumbriline, komplekt ja kehtiv jaam.

1. Vajutage täiustatud seadistuse nuppu.
2. Keerake helitugevuse/häälestamise/valimise nuppu, kuni näidikule kuvatakse „Station order“ (jaama järjekord), seejärel vajutage helitugevuse/häälestamise/valimise nuppu, et siseneda seadistusse.
3. Keerake helitugevuse/häälestamise/valimise nuppu, et valida järgmisi suvandeid, ja seadistuse kinnitamiseks vajutage seda nuppu.

Tähelisnumbriline      Sorteerib jaamade loendit tähelisnumbriliselt 0...9 A...Z

## Dünaamilise diapasoni reguleerimine (Dynamic Range Control (DRC)) – DAB

DRC funktsioon muudab vaiksemad helid paremini kuuldavaks raadio kasutamisel mürarikas keskkonnas, vähendades helisignaali dünaamilist diapasoni.

Kompressiooni tasemeid on kolm:

DRC 0	Kompressiooni ei rakendata.
DRC 1/2	Rakendatakse keskmisel tasemel kompressiooni.
DRC 1	Rakendatakse maksimaalsel tasemel kompressiooni.

1. Raadio sisselülitamiseks vajutage toitenuppu.
2. DAB laineala valimiseks vajutage laineala nuppu.
3. Vajutage täiustatud seadistuse nuppu ja keerake helitugevuse/häälestamise/valimise nuppu, kuni näidikule kuvatakse „DRC Value“ (DRC väärtus). Seejärel vajutage helitugevuse/häälestamise/valimise nuppu, et siseneda seadistusse. Näidikule kuvatakse praegune DRC väärtus.
4. Sobiva DRC seadistuse valimiseks keerake helitugevuse/häälestamise/valimise nuppu.
5. Seadistuse kinnitamiseks vajutage helitugevuse/häälestamise/valimise nuppu.

## Skaneeriv häälestamine – FM

1. Raadio sisselülitamiseks vajutage toitenuppu.
2. Soovitud laineala valimiseks vajutage laineala nuppu. Veenduge, et pehme painutatav varrasantenn asub parimas FM laineala vastuvõtualas. Vältige raadio kasutamist arvutikuvari ning muude raadiohäireid põhjustavate seadmete läheduses.
3. Vajutage automaatse häälestuse nuppu ja raadio alustab otsingut ning lõpetab selle automaatselt, kui leiab raadiojaama. Raadio jätkab järgmise saadavaloleva jaama otsimist, välja arvatud juhul, kui kasutaja vajutab automaatse häälestuse nuppu, et skaneerimine lõpetada.
4. Sobiva helitugevuse taseme valimiseks keerake helitugevuse/häälestamise/valimise nuppu. LCD-näidikule ilmub muudetud helitugevuse tase.
5. Raadio väljalülitamiseks vajutage toitenuppu.

## FM skaneerimise tsoon

FM režiimi kasutamisel saab raadio seadistada kas kohalike jaamade skaneerimiseks või kõigi jaamade (sh kaugraadiojaamad) skaneerimiseks.

1. Raadio sisselülitamiseks vajutage toitenuppu.
2. FM-raadiojaama valimiseks vajutage nuppu Band.
3. Vajutage nuppu Advanced (Täpsemalt) ja seejärel

pöörake Helitugevuse/Reguleerimise/Valiku nuppu, kuni ekraanile ilmub "FM Scan Zone". Seadistuse sisestamiseks vajutage Helitugevuse/Reguleerimise/Valiku nuppu.

4. Pöörake Helitugevuse/Reguleerimise/Valiku nuppu, et lülitada ekraani alumises reas kuvatavate "Kohalikud" ("Local") (ainult tugevad jaamad) ja "Kauged" ("Distant") (kõik jaamad) jaamade vahel. "Kauged" ("Distant") võimaldab raadiol leida ka nõrgemaid signaale.
5. Valiku kinnitamiseks vajutage Helitugevuse/Reguleerimise/Valiku nuppu. "Kohalikud" ("Local") või "Kauged" ("Distant") seade salvestatakse raadios ja see jääb jõusse, kuni see muudetakse või kuni süsteem lähtestatakse.

## Käsijuhtimisega häälestamine – FM

1. Raadio sisselülitamiseks vajutage toitenuppu.
  2. Soovitud laineala valimiseks vajutage laineala nuppu. Reguleerige antenn vastavalt eelpool kirjeldatule.
  3. Helitugevuse/häälestamise/valimise nupu keeramine muudab sagedust järgmise sammuga: FM: 50 kHz
- Märkus:**  
Selleks, et kasutada helitugevuse/häälestamise/valimise nuppu soovitud jaama leidmiseks, vajutage helitugevuse/häälestamise/valimise nuppule, et lülitada häälestuse režiim sisse.
4. Keerake helitugevuse/häälestamise/valimise nuppu seni, kuni näidikule kuvatakse soovitud sagedus.
  5. Sobiva helitugevuse taseme valimiseks keerake helitugevuse/häälestamise/valimise nuppu.
  6. Raadio väljalülitamiseks vajutage toitenuppu.

## Näidiku režiimid – FM (RDS)

Raadio ekraanil on FM raadio režiimis mitmesugused võimalused.

Raadijaama RDS-teabe vaatamiseks vajutage korduvalt nuppu RDS (Raadio andmesüsteem) Info.

- |                       |   |
|-----------------------|---|
| a. Programmi jaam     | Kuvab kuulatava jaama nime.   |
| b. Sagedus            | Kuvab FM signaali sageduse.   |
| c. Raadiotekst        | Kuvab raadio tekstiteavet, nagu näiteks järgmist pala vms.  |
| d. Programmi tüüp     | Kuvab kuulatava jaama tüübi, nt Pop (popmuusika), Classic (klassikaline muusika), News (uudised) jne. |
| e. Kellaeg ja kuupäev | Kuvab praeguse kellaaja ja kuupäeva.  |

## Jaamade salvestamine mälusse (DAB ja FM)

Igal lainealal on võimalik salvestada 5 sagedust.

1. Raadio sisselülitamiseks vajutage toitenuppu.
2. Häälestage raadio soovitud raadiojaamale kasutades ühte eelpool kirjeldatud meetodit.

3. Vajutage ja hoidke eelseadistusnuppu, kuni näidikule kuvatakse eelseadistuse number, näiteks „P2 Saved“ (P2 salvestatud). Jaam salvestatakse seejärel valitud eelseadistusnupus.
4. Korra ke antud tegevust järelejäädud eelseadistusnuppude jaoks.
5. Mälusse salvestatud jaamad on võimalik eespool kirjeldatud protseduure järgides üle kirjutada.

## Mälusse salvestatud jaamade kasutamine (DAB ja FM)

1. Raadio sisselülitamiseks vajutage toitenuppu.
2. Soovitud laineala valimiseks vajutage laineala nuppu.
3. Vajutage hetkeks soovitud eelseadistusnuppu. Näidikule kuvatakse eelseadistuse number ja raadiojaama sagedus.

## BLUETOOTH VOOGESITUSE KAUDU MUUSIKA KUULAMINE

Enne kui saate raadio Bluetoothi kaudu muusikat automaatselt esitada/edastada, peate oma Bluetooth-seadme raadioga paarima. Paarimine loob "sideme", nii et kaks seadet saavad üksteist ära tunda.

### Märkus:

Parema helikvaliteedi saavutamiseks soovitame Bluetooth-seadmel helitugevust seada üle kahe kolmandiku tasemest, ja seejärel vajadusel reguleerida raadio helitugevust.

## Bluetooth seadme esmakordne paarimine

1. Raadio sisselülitamiseks vajutage toitenuppu. Bluetoothi režiimi valimiseks vajutage nuppu Band. Eelseadistatud nuppude Bluetoothi sinine märgutuli vilgub, et näidata raadio tuvastatavust.
2. Raadio ühendamiseks aktiveerige oma seadme Bluetooth'i ühendus vastavalt seadme kasutusjuhendile. Leidke oma seadmest üles saadaolevate Bluetooth seadmete nimekiri ja valige seade nimega "DMR112". Mõningad mobiilseadmed (kui nende Bluetooth seadeldise versioon on varasem kui BT2.1) nõuavad turvakoodi "0000" sisestamist.
3. Kui see on ühendatud, kuulduv kinnitussignaal ja eelseadistatud nuppude Bluetoothi tähis jääb siniseks. Võite valida ja mängida mis tahes muusikat oma muusikaseadmest. Helitugevust saab reguleerida kas seadmest või otse raadiost.
4. Muusikapalade esitamiseks, peatamiseks või edasi ja tagasi liikumiseks võite kasutada nii oma Bluetooth seadet kui raadiot.

### Märkus:

1. Kui kaks Bluetooth'i seadet, mis ühenduvad esimest

korda, otsivad te raadiot, on see nähtav mõlemas seadmes. Kuid kui üks neist ühendub esimesena, ei näe teine seade seda enam.

2. Kui teie Bluetooth'i seadme ühendus raadioga on ajutiselt katkenud, tuleb teil raadioga käsitsi uus ühendus luua.
3. Kui DMR112 on te Bluetooth'i seadmes nähtav kuid sellega ei õnnestu ühendust luua, kustutage see palun oma Bluetooth'i seadmete nimekirjast ning ühendage see raadioga uuesti järgides eelnevalt kirjeldatud samme.
4. Optimaalne Bluetoothi voogesitusvahemik on umbes 10 meetri ulatuses raadiost, kuid võimalik on ka kuni 30 meetrine ulatus.
5. Kui Bluetooth-ühendus katkeb liiga pika kasutuspausi, vahemaa või muude takistuste tõttu, võib vajalikuks osutuda seadme taasühendamine raadioga.
6. Füüsilised takistused, muud traadita seadmed või elektromagnetilised seadmed võivad mõjutada ühenduse kvaliteeti.
7. Bluetooth ühenduse töökindlus võib sõltuda ühendatud Bluetooth'i seadmest. Palun kontrollige oma seadme Bluetooth'i võimsust enne selle raadio ühendamist. Kõik funktsioonid ei pruugi mõne Bluetooth seadmega ühendades saadaval olla.

## Helifailide esitamine Bluetooth'i kaudu

Kui olete oma raadio edukalt Bluetooth'i seadmega ühendanud, saate esitada oma muusikat kasutades oma Bluetooth seadme menüüd.

1. Kui lugu esitatakse, saate reguleerida helitugevust vastavalt soovile kas raadio helitugevuse nuppudega või oma Bluetooth seadme kaudu.
2. Kasutage oma Bluetooth seadme menüüd, et esitada/peatada lugu või lugude vahel liikuda.

### Märkus:

1. Kõik rakendused või seadmed ei pruugi ühtmoodi töötada.
2. Mõningad mobiiltelefonid võivad ajutiselt raadio ühenduse katkestada, kui alustate väljaminevat või võtate vastu sissetuleva telefonikõne. Mõningad seadmed võivad ajutiselt vaigistada Bluetooth'i heliesituse, kui saabub tekstisõnum, e-kiri või mõnel muul põhjusel, mis pole heli esitusega seotud. Sellistel juhtudel on tegemist ühendatud seadme vastava funktsiooniga ning see ei viita raadio rikkele.

## Varasemalt ühendatud Bluetoothi seadme mängimine

Teie raadio võib meelde jätta kuni 8 sellega paaritud seadet. Kui mälu saab täis, kirjutatakse vanim ajalugu üle. Kui raadio on eelnevalt juba paarinud te Bluetooth seadmega, jätab see teie Bluetooth seadme meelde ning püüab luua ühendust selle seadmega, mis on mällu

viimati salvesatud. Kui viimati ühendatud seade ei ole saadaval, on raadio teistele seadmetele taas leitav.

## Bluetooth seadmega ühenduse katkestamine

Bluetooth-seadmega ühenduse katkestamiseks hoidke Bluetooth-sidumisnuppu 2-3 sekundit all. Eelseadistatud nuppude Bluetoothi tähis vilgub siniselt, näidates, et raadio on paaristamiseks jällegi leitav.

## LISATARVIKUTE PISTIKUPESA

Saadaval on kaks 3,5 mm stereo lisatarvikute pistikupesa. Üks on teie raadio eesosas (AUX IN 1); teine asub akuhoidikus (AUX IN 2).

1. Ühendage väline heliallikas (näiteks iPod, MP3 või CD-mängija) lissisendi pesaga audio juhtme abil.
2. Vajutage ja vabastage Band nuppu korduvalt, kuni kuvatakse "AUX IN 1" või "AUX IN 2", seejärel aktiveeritakse AUX-funktsioon.
3. Parema helikvaliteedi saavutamiseks soovitame häälestada seadme helitugevust rohkem kui kahele kolmandikule ja seejärel kohandada raadio helitugevust vastavalt vajadusele.

### TÄHELEPANU:

Audiojuhet ei kaasata standard seadmete hulgas.

## MUUD SEADED

### Keele valikuvõimalused

Raadios on saadaval kaheksa keelt:

inglise, saksa, itaalia, prantsuse, hollandi, taani, norra ja poola.

1. Vajutage täiustatud seadistuse nuppu.
2. Keerake helitugevuse/häälestamise/valimise nuppu seni, kuni näidikule kuvatakse „Language“ (keel). Seadistusse sisenemiseks vajutage helitugevuse/häälestamise/valimise nuppu.
3. Sobiva keele valimiseks keerake helitugevuse/häälestamise/valimise nuppu. Seadistuse kinnitamiseks vajutage helitugevuse/häälestamise/valimise nuppu.

### Heleduse reguleerimine

Heleduse nuppu Light saab reguleerida.

1. Vajutage täiustatud seadistuse nuppu.
2. Keerake Helitugevuse/Reguleerimise/Valiku nuppu, kuni ekraanile ilmub "Button Light". Seadistuse sisestamiseks vajutage Helitugevuse/Reguleerimise/Valiku nuppu.
3. Pöörake Helitugevuse/Reguleerimise/Valiku nuppu, et valida nuppude valgusfunktsiooni sisse- või väljalülitamine ("On" või "Off"), seejärel vajutage seadistuse kinnitamiseks Helitugevuse/Reguleerimise/

Valiku nappu.

## Süsteemi lähtestamine

Kui raadio ei tööta õigesti või mõned numbrid puuduvad näidikult või numbrid ei ole täielikud, siis teostage järgmine protseduur.

1. Vajutage täiustatud seadistuse nappu.
2. Keerake helitugevuse/häälestamise/valimise nappu seni, kuni näidikule kuvatakse „Factory Reset“ (tehaseseadete lähtestamine). Seadistusse sisenemiseks vajutage helitugevuse/häälestamise/valimise nappu.
3. Keerake helitugevuse/häälestamise/valimise nappu, et valida „Yes“ (jah). Vajutage helitugevuse/häälestamise/valimise nappu, et kinnitada seadistus, ning seejärel teostatakse täielik lähtestamine.

## Tarkvara versioon

1. Vajutage täiustatud seadistuse nappu.
2. Keerake helitugevuse/häälestamise/valimise nappu seni, kuni näidikule kuvatakse „SW Version“ (tarkvara versioon). Vajutage helitugevuse/häälestamise/valimise nappu, et vaadata raadiosse installitud tarkvara versiooni.

## Mikro-USB-port tarkvara täiendamiseks

Raadio jaoks võivad tulevikus saadaval olla tarkvara versiooni täiendused.

Kui uus tarkvara versioon on saadaval, leiate vastava tarkvara ja teabe raadio ajakohastamise kohta **Makita** veebilehelt.

## HOOLDUS

### ⚠ ETTEVAATUST:

Ärge kunagi kasutage bensiini, vedeldit, alkoholi ega midagi muud sarnast. Selle tulemuseks võib olla luitumine, deformatsioon või pragunemine.

## TEHNILISED ANDMED

Elektritoite nõuded	
Vahelduvvoolu adapter	alalisvool 12 V 1,2A, keskmine kontakt positiivne
Aku	Kobaraku: 7,2 V - 10,8 V Liugaku: 10,8 V - 18 V
Sagedusala	FM 87,50 - 108 MHz DAB/DAB+ 174,928-239,200 MHz
DAB/DAB+ kanaliplokk	DAB (Iaineala III) 5A-13F
Ühilduv standard	DAB/DAB+

Bluetooth®	
(Bluetooth®-i sõnamärk ja logod on ettevõttele Bluetooth SIG, Inc. kuuluvad registreeritud kaubamärgid)	
Bluetooth-i versioon	4,0
Bluetooth-i profiilid	A2DP/SCMS-T
Ülekandevõimsus	Energiaklass 2
Ülekande ulatus	Tavaline: 10 meetrit Võimalik: Maks. 30 meetrit (sõltub kasutustingimustest)
Toetatud koodek	SBC, AAC
Bluetooth-i profiil	A2DP
Maksimaalne raadiosageduse võimsus:	BT EDR: 3,12dBm BT LE: 2,31dBm
Kasutussagedus	2402MHz~2480MHz

Süsteemi omadused	
Kõlar	3,5 tolli 32-oomine x 2
Väljundvõimsus	7,2 V: 0,6 W X 2 12Vmax: 1,7 W X 2 14,4 V: 3 W X 2 18 V: 4,9 W X 2
Sisendterminal	3,5 mm diameeter (AUX IN1/AUX IN2)
Antennisüsteem	DAB/FM: pehme paindub varrasantenn
Mõõtmed (P x L x K)	282 x 163 x 294 mm
Kaal	4,3KG (ilma akuta)

# РУССКИЙ

## (Оригинальные инструкции)

### EXPLANATION OF GENERAL VIEW (Fig. 1~5)

1. Мягкая изогнутая стержневая антенна
2. Замок отсека для батареи
3. Ручка
4. Крышка отсека для батареи (закрывающая картридж батареи)
5. Входной разъем DC
6. Динамик
7. Кнопка питания
8. Кнопка переключения группы
9. Кнопка дополнительной настройки
10. Информационная кнопка
11. Предустановка 2-5
12. Кнопка автоматической настройки
13. Регулятор громкости/настройки/выбора
14. USB-порт источника питания
15. Ауксиальный вход 1
16. Кнопка предварительной настройки 1/Блютуз
17. ЖК-дисплей
18. Входной разъем (Ауксиальный вход 2)
19. Отсек для батареи
20. Микро-USB порт для обновления программного обеспечения
21. Картридж батареи

### СИМВОЛЫ

Ниже приводятся символы, используемые в оборудовании. Убедитесь, что Вы понимаете их значение, прежде чем приступить к использованию.



Прочитайте руководство по использованию.



Применимо только к странам Евросоюза  
Не выбрасывайте электрооборудование или аккумуляторы вместе с прочими бытовыми отходами!

В целях соблюдения директив Евросоюза по утилизации электрооборудования, его компонентов, батарей, аккумуляторов и их компонентов, а также соблюдения связанных с ними государственных положений, все электрооборудование и элементы питания, вышедшие из эксплуатации, должны быть отдельно собраны и доставлены на предприятие

по утилизации.

### ВАЖНЫЕ ИНСТРУКЦИИ БЕЗОПАСНОСТИ

#### ⚠ ПРЕДОСТЕРЕЖЕНИЕ:

При работе с электрическим оборудованием следует соблюдать общепринятые правила безопасности, чтобы предотвратить риск возникновения пожара, электрического шока и травм. Для этого следует:

1. Внимательно прочитать данное руководство, а также инструкцию к зарядному устройству, прежде чем приступить к их использованию.
2. Для чистки использовать только сухую тряпку.
3. Не устанавливать оборудование возле таких источников тепла, как, например, радиаторы, обогреватели, печи или др. устройства (включая усилители).
4. Используйте только те приспособления/аксессуары, которые рекомендованы производителем.
5. Отключайте данное оборудование от сети во время грозы или если Вы не планируете его использовать длительное время.
6. Радио с питанием от встроенного или внешнего аккумулятора следует заряжать только с помощью специального зарядного устройства. Зарядное устройство, подходящее для одного типа аккумуляторов, может привести к пожару при его использовании с другим аккумулятором.
7. Используйте радио только с рекомендованными аккумуляторными блоками. Использование других аккумуляторов может привести к пожару.
8. Если вы не используете батареи, храните их вдали от изделий из металла, например: скрепки, монеты, ключи, гвозди, винты или др. мелкие металлические предметы, которые могут замкнуть контакты батареи. Короткое замыкание в контактах батареи может вызвать искру и стать причиной возгорания или пожара.
9. Избегайте контакта тела с заземленными поверхностями, такими как трубы, радиаторы, плиты и холодильники, поскольку существует повышенный риск поражения электрическим током, если ваше тело заземлено.
10. При неправильном обращении батарея может потечь. Избегайте контакта с жидкостью из батареи. При случайном попадании электролита на кожу смойте его водой. Если жидкость попала в глаза, немедленно обратитесь за медицинской помощью. Жидкость из батареи может вызвать раздражение или ожоги.
11. Не используйте для работы поврежденные или иным образом измененные батареи или компоненты устройства. Использование поврежденных или измененных батарей может привести к непредсказуемым последствиям, включая травмы, взрыв или возгорание.
12. Не подвергайте батарею воздействию открытого огня или высоких температур. Воздействие открытого огня или температуры свыше 130 °C может привести к взрыву батареи.
13. Внимательно следуйте инструкции по зарядке и не заряжайте батарею при температурах отличных от указанного в инструкции диапазона. Неверная зарядка батареи или зарядка при температурах отличных от

- указанного в инструкции диапазона может привести к повреждению батареи и возгоранию.
14. СЕТЕВОЙ штепсель используется для отключения от сети, а потому он должен оставаться легко доступным.
  15. Не используйте устройство на большой громкости длительный период времени. Во избежание повреждения слуха используйте это устройство при умеренной громкости.
  16. (Для продуктов с ЖК-дисплеем) ЖК-дисплеи содержат жидкость, которая может вызвать раздражение и отравления. Если жидкость попала в глаза, рот или кожу, промойте их водой и обратитесь к врачу.
  17. Не держите устройство под дождем или во влажных условиях. Если вода попадет в устройство, возможен риск поражения электрическим током.
  18. Данный продукт не предназначен для использования лицами (включая детей) с ограниченными физическими, тактильными или умственными способностями или отсутствием опыта и знаний, кроме случаев, когда они находятся под наблюдением или выполняют указания лица, ответственного за их безопасность, относительно использования продукта. Следите за тем, чтобы дети не играли с устройством. Храните устройство в недоступном для детей месте.

## СОХРАНИТЕ ДАННОЕ РУКОВОДСТВО

### СПЕЦИАЛЬНЫЕ ПРАВИЛА БЕЗОПАСНОСТИ

#### ДЛЯ АККУМУЛЯТОРНОГО КАРТРИДЖА

1. Прежде чем приступать к работе с аккумуляторным картриджем, прочитайте все инструкции и предупреждающие замечания, касающиеся (1) зарядного устройства для батареи, (2) батареи (3) оборудования, работающего на батареях.
2. Не разбирайте батареи и аккумуляторы.
3. Если срок работы батареи значительно сократился, немедленно прекратите работу, поскольку это может вызвать перегрев, возгорание и даже взрыв.
4. Если Вам в глаза попал электролит, немедленно промойте их чистой водой и сразу же обратитесь за медицинской помощью. В противном случае Вы можете потерять зрение.
5. Не допускайте замыкания контактов батареи, а именно:
  - (1) Не прикасайтесь к контактам никакими материалами, проводящими ток.
  - (2) Не храните батареи в контейнерах, где присутствуют другие металлические предметы, например, гвозди, монеты и др.
  - (3) Не допускайте попадания на батарею влаги и воды. Это может привести к замыканию батареи, результатом чего может стать перенапряжение, перенагревание, возгорание или поломка.
6. Не храните оборудование и батареи в местах, где температура может достигать или превышать 50°C (122°F).

7. Не бросайте батареи в огонь, даже если они сильно повреждены или полностью изношены, поскольку в огне батареи могут взорваться.
8. Не роняйте батареи и не подвергайте их механическим воздействиям и ударам.
9. Не используйте поврежденные батареи.
10. Для минимизации подобных рисков перед использованием батареи внимательно изучите прилагаемую инструкцию. Максимальный ток разряда батареи должен быть равен или превышать 8А.
11. Содержащиеся в картридже литий-ионные батареи входят в класс вредных веществ, потому обращение с ними должно осуществляться в соответствии с применимыми законодательными нормами. В случае коммерческой транспортировки третьими лицами экспедитор является ответственным за соблюдение специальных требований к упаковке и маркировке перевозимого груза. Перед транспортировкой продукта необходима консультация эксперта по опасным материалам. Пожалуйста, перед транспортировкой ознакомьтесь с соответствующими законодательными нормами своего государства. Перед транспортировкой необходимо обеспечить фиксированное положение батареи внутри упаковки и изолировать ее контакты.
12. Для инструкции по утилизации отслуживших батарей обратитесь к соответствующим положениям местного законодательства.
13. Используйте батареи только с оборудованием, одобренным компанией-производителем «Makita». Установка батареи в иные устройства может привести к возгоранию, чрезмерному нагреву батареи, взрыву или утечке электролита.

#### **⚠ ОСТОРОЖНО:**

- Риск взрыва при замене на неверный тип батареи.
- Заменить батарею можно только батареей того же или аналогичного типа.
- **Используйте только оригинальные батареи от компании-производителя «Makita». Использование батарей отличных от оригинальных, произведенных компанией «Makita», может привести к возгоранию, травмам и повреждению имущества. Также это приведет к утрате гарантии компании «Makita» на приобретенное электрооборудование и прилагающееся зарядное устройство.**

#### Советы по обеспечению

#### максимального срока службы батарей

1. Заряжайте батарею до того, как она полностью разрядилась. Как только Вы заметите, что оборудование работает с меньшей мощностью, остановите работу и поставьте батарею на зарядку.
2. Не ставьте на подзарядку батарею, которая была полностью заряжена. Перезарядка сокращает срок службы батареи.
3. Подзаряжайте батареи в помещениях при температуре от 10° C до 40° C (50° F - 104° F). Если батарея нагрелась, остудите её, прежде чем ставить на подзарядку.
4. Подзаряжайте батарейки время от времени, если вы не используете оборудование длительный период (более чем шесть месяцев).

# ВРЕМЯ УПРАВЛЕНИЯ

\* В следующей таблице приводится время работы после зарядки.

Емкость аккумулятора	Напряжение аккумуляторного блока					ПРИ ВЫХОДЕ НА ДИНАМИКЕ = 100 мВт Час (примерно)	
	7,2 В	10,8 В	10,8 В - макс. 12 В	14,4 В	18 В	В режиме радио или AUX	В режиме радио с USB-зарядкой (0,1А)
1,0 Ач	BL7010					5,0	0,7
1,3 Ач		BL1013				7,0	0,9
				BL1415		5,5	1,7
					BL1815	6,0	1,9
1,5 Ач	BL0715					7,5	1,0
			BL1015 BL1016			8,5	1,7
				BL1415N		7,0	2,0
					BL1815N	7,5	2,0
2,0 Ач			BL1020B BL1021B			11	2,0
					BL1820 BL1820B	10	3,0
3,0 Ач				BL1430 BL1430B		12	3,5
					BL1830 BL1830B	14	4,0
4,0 Ач			BL1040B BL1041B			21	4,0
				BL1440		19	5,5
					BL1840 BL1840B	20	6,0
5,0 Ач				BL1450		23	6,5
					BL1850 BL1850B	26	8,0
6,0 Ач				BL1460B		25	7,5
					BL1860B	31	9,5

 : Аккумуляторный блок  : Выдвижной аккумулятор

## ⚠ ВНИМАНИЕ:

Используйте только перечисленные выше картриджи. Использование любых других картриджей может привести к травмам и/или пожару.

## Примечание:

Таблица времени работы аккумулятора даётся только для справки. Фактическое время работы может отличаться в зависимости от типа аккумулятора, условий зарядки или среды использования.

## УСТАНОВКА И ИСТОЧНИК ПИТАНИЯ

### ⚠ ВНИМАНИЕ:

- Будьте осторожны, чтобы не прищипить пальцы при открывании и закрывании крышки отсека для батареи.
- После установки или снятия картриджа верните замок отсека для батареи в исходное положение. В противном случае батарейный картридж может случайно выпасть из радиоприёмника, причинив вред Вам или кому-либо другому.
- Перед перемещением радиоприёмника всегда закрывайте и блокируйте отсек для батареи.
- Всегда выключайте радиоприёмник перед установкой или извлечением батарейного картриджа.
- Будьте осторожны, чтобы не уронить приёмник и не ударить по нему. О повреждённую оболочку можно прорезать палец или другие части тела. Повреждённый приёмник может привести к пожару, взрыву или стать причиной травм.

### ВАЖНО:

- Пониженная мощность, искажение и прерывание звука или появление на дисплее надписи «POWERFAIL» являются признаками того, что батарею необходимо заменить.
- Батарейный картридж не заряжается через прилагаемый адаптер питания переменного тока.
- Батарейный картридж не входит в комплект поставки.

## УСТАНОВКА ИЛИ СНЯТИЕ ВЫДВИЖНОГО АККУМУЛЯТОРНОГО БЛОКА (РИС. 2 И 3)

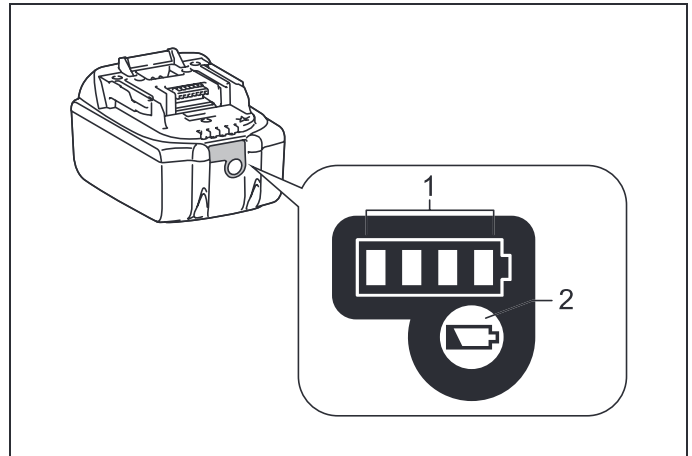
1. Для установки аккумуляторного блока совместите выступ аккумуляторного блока с пазом в корпусе и задвиньте его на место. Всегда устанавливайте блок до упора так, чтобы он зафиксировался на месте с небольшим щелчком.
2. Если вы можете видеть красный индикатор на верхней стороне кнопки, аккумулятор установлен на место неполностью. Установите его до конца так, чтобы красный индикатор был не виден. В противном случае он может выпасть из радио и нанести травму вам или другим людям.
3. Не применяйте силу при установке аккумуляторного блока. Если блок не двигается свободно, значит он вставлен неправильно.
4. Чтобы извлечь батарейный картридж, вытолкните его из радио, переместив кнопку на передней части картриджа.

## УСТАНОВКА ИЛИ СНЯТИЕ АККУМУЛЯТОРНОГО БЛОКА (РИС. 4 И 5)

1. Для установки аккумуляторного блока совместите выступ блока с пазом в корпусе и задвиньте его на место.
2. Для снятия аккумуляторного блока нажмите кнопку сбоку блока и извлеките аккумулятор из гнезда.

## ИНДИКАЦИЯ ОСТАВШЕГОСЯ ЗАРЯДА АККУМУЛЯТОРА

\* Только для аккумуляторных блоков с буквой "В" в конце номера модели







➤ **1. Лампочки индикаторов 2. Кнопка контроля**  
Нажмите кнопку проверки на аккумуляторном блоке для проверки оставшегося заряда. Индикаторы включатся на несколько секунд.

### • Аккумуляторы 14,4В/18В

Лампочки индикаторов			Оставшийся заряд
Горит	Выкл	Мигает	
■	■	■	75% ~ 100%
■	■	□	50% ~ 75%
■	□	□	25% ~ 50%
□	□	□	0% ~ 25%
▬	□	□	Зарядите батарею
■	□	□	Возможно, батарея вышла из строя
□	□	■	

- **Аккумуляторы 10,8В-12В макс**

Лампочки индикаторов			Оставшийся заряд
 Горит	 Выкл	 Мигает	
			75% ~ 100%
			50% ~ 75%
			25% ~ 50%
			0% ~ 25%

**ПРИМЕЧАНИЕ:**

В зависимости от условий использования и температуры окружающей среды показания могут немного отличаться от фактической ёмкости батареи.

### ИСПОЛЬЗОВАНИЕ ГИБКОЙ ШТЫРЕВОЙ АНТЕННЫ (РИС. 1)

Выпрямите штыревую антенну как показано на рисунке.

### ИСПОЛЬЗОВАНИЕ ПРИЛАГАЕМОГО АДАПТЕРА ПИТАНИЯ

Удалите резиновую защиту и вставьте вилку адаптера в гнездо DC, расположенное справа на приёмнике. Подключите адаптер к стандартной розетке. Если используется адаптер, батарейный картридж автоматически отключается.

**⚠ ВНИМАНИЕ:**

- **Всегда отсоединяйте адаптер питания АС, прежде чем перемещать приёмник. Если не отсоединить адаптер АС, это может вызвать электрическое замыкание.**
- **Никогда не тяните адаптер за шнур. В противном случае это может привести к неожиданной поломке и травмировать Вас или окружающих.**

**ВАЖНО:**

- Сетевой адаптер используется в качестве средства подключения радиоприёмника к электросети. Сетевая розетка, используемая для радио, должна оставаться доступной во время обычного использования.
- Чтобы отключить радиоприёмник, сетевой адаптер следует полностью извлечь из электрической розетки.
- Используйте адаптер переменного тока АС, который поставляется в комплекте с устройством или те адаптеры, которые одобрены Makita.
- Не держите кабель питания во рту и не пытайтесь закрепить его ртом. Это может привести к поражению электрическим током.

- Не касайтесь розетки питания мокрыми или жирными руками.
- Повреждённые или запутанные шнуры повышают риск поражения электрическим током. Если шнур повреждён, его нужно заменить в нашем авторизованном сервисном центре, чтобы избежать опасности. Не используйте устройство, пока его не отремонтируете.
- После использования всегда храните адаптер переменного тока АС в местах, недоступных для детей. Если дети потянут устройство за шнур, они могут пострадать.

### ЗАРЯДКА С ПОМОЩЬЮ ГНЕЗДА ПИТАНИЯ USB

На лицевой панели радио предусмотрено гнездо USB. Через гнездо USB можно заряжать устройство USB.

1. Подключите устройство USB, например iPod, MP3- или CD-плеер, с помощью кабеля USB, приобретаемого на рынке.
2. Нажмите кнопку питания, чтобы включить радиоприёмник.
3. Независимо от типа питания (от сети переменного тока или батарей) радиоприёмник можно использовать для зарядки устройства USB. Для этого радиоприёмник должен быть включен в режиме FM/DAB радио, BT или AUX, который отображается при подключении внешнего аудиоисточника.

**ПРИМЕЧАНИЕ:**

- Во время зарядки через USB максимальный уровень выходной мощности динамика будет снижен.
- Максимальный уровень тока в гнезде USB составляет 1 А 5 В.

**ВАЖНАЯ ИНФОРМАЦИЯ:**

- Перед подключением устройства USB к USB-порту обязательно выполните резервное копирование данных с устройства USB. В противном случае возможна потеря данных.
- Радиоприёмник может не подавать питание на некоторые устройства USB.
- Если функция не используется или после завершения зарядки извлеките кабель USB и закройте крышку.
- Не подключайте источник питания к гнезду USB. В противном случае существует риск возгорания. Гнездо USB предназначено только для зарядки устройств с более низким напряжением. Обязательно установите крышку на гнездо USB, когда не выполняется зарядка устройства с более низким напряжением.
- Не вставляйте гвоздь, провод и т. д. в гнездо питания USB. В противном случае короткое

замыкание может стать причиной задымления и возгорания.

- Не подключайте гнездо USB к USB-порту ПК, поскольку в этом случае высока вероятность поломки устройств.

## ПРОСЛУШИВАНИЕ РАДИО

Существует три варианта настройки радио – сканирование, ручная настройка и вызов предустановок из памяти.

### ВЫБОР СТАНЦИИ – DAB

1. Нажмите кнопку питания, чтобы включить радиоприемник.
2. Выберите нужный режим DAB, нажав кнопку Band.
3. Нажмите кнопку расширенных настроек и поверните регулятор громкости/настройки/выбора, чтобы на экране появилась мигающая индикация “Список станций”. Нажмите регулятор громкости/настройки/выбора, чтобы ввести список станций.
4. Вращайте регулятор громкости/настройки/выбора, чтобы прокрутить список доступных станций. Для выбора станции нажмите регулятор.
5. Настройте нужный уровень громкости с помощью регулятора громкости/настройки/выбора.

### РЕЖИМЫ ОТОБРАЖЕНИЯ – DAB

Для режима DAB предусмотрены различные параметры дисплея:

Нажмите кнопку Info для прокручивания различных опций, обозначенных буквами а – г.

- |                       |   |
|-----------------------|---|
| a. Название станции   | Отображение названия прослушиваемой станции.  |
| b. Тип программы      | Отображение типа прослушиваемой станции. Например, Pop (Поп- музыка), Classics (Классика), News (Новости) и т. п. |
| c. Мультиплексное имя | Отображение имени мультиплексора DAB, к которому относится текущая станция.                                       |
| d. Время и дата       | Отображает текущее время и дату.  |
| e. Частота и канал    | Отображает частоту и номер канала текущей станции DAB.  |
| f. Битрейт/Тип звука  | Отображает битрейт и тип цифрового звука текущей станции DAB.   |
| g. Мощность сигнала   | Отображает мощность сигнала текущей станции DAB.  |

## ПОИСК НОВЫХ СТАНЦИЙ – DAB

Время от времени могут появляться новые радиостанции DAB. Либо вы можете оказаться в другой части страны. В этом случае необходимо включить режим сканирования для поиска новых станций.

Чтобы радиоприемник обнаружил доступные станции, рекомендуется провести полное сканирование всего диапазона III DAB.

1. Нажмите кнопку Auto tune.
2. Радиоприемник проведет полное сканирование частот DAB. При обнаружении новых станций счетчик в левой части дисплея будет увеличиваться, а станции – добавляться в список.

### РУЧНАЯ НАСТРОЙКА – DAB

Ручная настройка позволяет настроить радиоприемник на определенную частоту DAB в диапазоне III.

Эту функцию можно использовать для помощи в ориентировании антенны или радиоприемника с целью оптимизации приема определенного канала или частоты.

1. Нажмите кнопку расширенных настроек и поверните регулятор громкости/настройки/выбора, чтобы на экране появилась индикация “Ручная настройка”. Нажмите регулятор громкости/настройки/выбора, чтобы включить режим ручной настройки.
2. Вращайте регулятор громкости/настройки/выбора, чтобы выбрать нужный канал DAB. Нажмите регулятор громкости/настройки/выбора, чтобы подтвердить выбранную частоту.

### НАСТРОЙКА ПОРЯДКА СТАНЦИЙ – DAB

В радиоприемнике предусмотрены варианты 3 настройки порядка следования станций. Станции можно организовать по алфавиту, группам или действительным станциям.

1. Нажмите кнопку расширенных настроек.
2. Поверните регулятор громкости/настройки/выбора, чтобы на экране появилась индикация “Порядок станций”, затем нажмите регулятор громкости/настройки/выбора для ввода настройки.
3. Поверните регулятор громкости/настройки/выбора, чтобы выбрать следующие опции, затем нажмите регулятор для подтверждения настройки.

Буквенной-цифровой	Сортировка списка станций по номерам/алфавиту: 0...9 A...Z
Группа	Организация списка станций по мультиплексору DAB
Действительные	Отображаются только те станции, сигнал которых найден

## РЕГУЛИРОВКА ДИНАМИЧЕСКОГО ДИАПАЗОНА (DRC) – DAB

Если радиоприемник используется в шумной среде, функция DRC позволяет лучше слышать негромкие звуки за счет сокращения динамического диапазона аудиосигнала. Существует три уровня сжатия:

DRC 0	Сжатие отсутствует.
DRC 1/2	Используется средний уровень сжатия.
DRC 1	Используется максимальное сжатие.

1. Нажмите кнопку питания, чтобы включить радиоприемник.
2. Нажмите кнопку Band, чтобы выбрать диапазон DAB.
3. Нажмите кнопку расширенных настроек и поверните регулятор громкости/настройки/выбора, чтобы на экране появилась индикация "Значение DRC". Затем нажмите регулятор громкости/настройки/выбора, чтобы ввести значение. На дисплее появится текущее значение DRC.
4. Вращайте регулятор громкости/настройки/выбора, чтобы выбрать нужную настройку DRC.
5. Нажмите регулятор громкости/настройки/выбора, чтобы подтвердить настройку.

## НАСТРОЙКА МЕТОДОМ СКАНИРОВАНИЯ – FM

1. Нажмите кнопку питания, чтобы включить радио.
2. Выберите нужный диапазон частот, нажав кнопку Band. Убедитесь, что штыревая антенна установлена в оптимальное положение для приема в диапазоне FM. Не рекомендуется использовать радио рядом с монитором компьютера и другим оборудованием, которое может вызвать помехи для радиоприемника.
3. Нажмите кнопку Auto tune, радиоприемник выполнит поиск, останавливаясь автоматически при обнаружении радиостанции. Радиоприемник продолжит поиск следующей доступной станции, если оператор не нажмет кнопку Auto tune для прекращения сканирования.
4. Вращайте регулятор громкости/настройки/выбора, чтобы выбрать нужный уровень громкости. На ЖК-экране отображается изменение уровня громкости.
5. Для выключения радио нажмите кнопку питания.

## ЗОНА СКАНИРОВАНИЯ FM

В режиме FM радиоприемник можно настроить на сканирование местных станций либо всех станций, включая удаленные.

1. Нажмите кнопку питания, чтобы включить радио.
2. Нажмите кнопку "Группа", чтобы выбрать FM-диапазон.
3. Нажмите кнопку "Дополнительные настройки", а затем поверните ручку регулировки громкости/

настройки/выбора, пока на дисплее не появится «Зона FM-сканирования». Нажмите кнопку громкости/настройки/выбора, чтобы подтвердить настройку.

4. Поверните ручку регулировки громкости/настройки/выбора для переключения между параметрами «Локальные» (только сильные станции) и «Дистанционные» (все станции) в нижней строке дисплея. Опция «Дистанционные» позволяет находить слабые радиосигналы при сканировании.
5. Нажмите ручку регулировки громкости/настройки/выбора, чтобы подтвердить свой выбор. Локальная или дистанционная настройка сохраняется в радио и действует до тех пор, пока не будет изменена, или до сброса системных настроек.

## РУЧНАЯ НАСТРОЙКА – FM

1. Нажмите кнопку питания, чтобы включить радио.
2. Нажмите кнопку Band (Полоса частот), чтобы выбрать необходимый диапазон. Отрегулируйте антенну как описано выше.
3. Вращайте регулятор громкости/настройки/выбора изменяет частоту со следующим шагом: FM: 50 кГц

### Примечание:

Чтобы использовать регулятор громкости/настройки/выбора для поиска нужной станции, нажмите регулятор громкости/настройки/выбора для переключения в режим настройки.

4. Вращайте регулятор громкости/настройки/выбора до тех пор, пока нужная частота не отобразится на дисплее.
5. Вращайте регулятор громкости/настройки/выбора, чтобы выбрать нужный уровень громкости.
6. Для выключения радио нажмите кнопку питания.

## РЕЖИМЫ ДИСПЛЕЯ – FM (RDS)

Для режима FM предусмотрены различные параметры дисплея:

Повторно нажимайте информационную кнопку, чтобы получать информацию RDS (система радиоданных) о радиостанции, которую прослушиваете.

- |                    |  |
|--------------------|--|
| a. Станция вещания | Отображение названия прослушиваемой станции.   |
| b. Частота         | Отображает частоту сигнала FM.   |
| c. Радиотекст      | Отображение текстовых сообщений, например, новые элементы и т. д.                    |
| d. Тип программы   | Отображение типа прослушиваемой станции (Популярная, Классическая, Новости и т. д.). |
| e. Время и дата    | Отображает текущее время и дату.   |

## СОХРАНЕНИЕ СТАНЦИЙ В ПАМЯТИ В КАЧЕСТВЕ ПРЕДВАРИТЕЛЬНОЙ НАСТРОЙКИ (DAB И FM)

Для каждого диапазона доступно 5 предварительных настройки.

1. Нажмите кнопку питания, чтобы включить радио.
2. Настройтесь на нужную станцию одним из описанных выше способов.
3. Нажмите и удерживайте необходимую кнопку Preset, пока на дисплее не появится номер предварительной настройки, например, "Сохранено в P2". При этом станция сохраняется под выбранной кнопкой Preset.
4. Повторите процедуру для оставшихся предварительных настроек.
5. Станции, сохраненные в качестве предварительной настройки, можно изменить, выполнив описанные выше процедуры.

## ВЫЗОВ СТАНЦИЙ ИЗ ПАМЯТИ ПРЕДВАРИТЕЛЬНОЙ НАСТРОЙКИ (DAB И FM)

1. Нажмите кнопку питания, чтобы включить радио.
2. Нажмите кнопку Band (Полоса частот), чтобы выбрать нужный диапазон.
3. Нажмите и отпустите кнопку Preset. На экране отобразятся заданный номер и частота станции.

## ПРОСЛУШИВАНИЕ МУЗЫКИ ЧЕРЕЗ ПОТОКОВЫЙ БЛЮТУЗ

Вам необходимо соединить Ваше Bluetooth-устройство с радио, прежде чем Вы сможете автоматически переходить к воспроизведению/стриму блютуз-музыки с помощью радио. Соединение устанавливает «связь», благодаря чему два устройства могут распознавать друг друга.

### ПРИМЕЧАНИЕ:

Чтобы улучшить качество звука, мы рекомендуем установить громкость на уровне более двух третей на Вашем Bluetooth-устройстве, а затем отрегулировать громкость на радио по своему желанию.

## ПЕРВОЕ ПОДКЛЮЧЕНИЕ БЛЮТУЗ-УСТРОЙСТВА

1. Нажмите кнопку питания, чтобы включить радио. Нажмите кнопку "Группа", чтобы выбрать режим блютуза. Индикатор блютуза на кнопках предустановки мигает синим цветом, показывая, что радио доступно для обнаружения.
2. Включите блютуз на своём устройстве в соответствии с руководством по эксплуатации

- устройства для подключения к радио. Найдите список блютуз-устройств и выберите устройство с именем «DMR112». На некоторых мобильных телефонах (которые оснащены более ранними версиями, чем блютуз-устройство BT2.1), может потребоваться ввести код доступа «0000».
3. После подключения раздастся сигнал подтверждения, а индикатор блютуза на кнопках предустановки будет гореть синим цветом. Можно просто выбрать и запустить воспроизведение любой музыки с исходного устройства. Уровень громкости можно отрегулировать с Вашего исходного устройства или непосредственно с радио.
4. Используйте элементы управления на Вашем блютуз-устройстве или на радио для запуска воспроизведения/паузы и навигации по трекам.

### ПРИМЕЧАНИЕ:

1. Если два блютуз-устройства, впервые подключившись, оба обнаруживают радио, оно покажет свою доступность на обоих устройствах. Однако, если одно устройство первым соединится с данным приёмником, другое блютуз-устройство не найдёт его в списке.
2. Если Ваше Bluetooth-устройство временно отключено от радио, необходимо его снова подключить.
3. Если в списке блютуз-устройств отображается «DMR112», но Ваше устройство не может подключиться к нему, удалите элемент из списка и снова подключите устройство к радио, следуя инструкциям, описанным выше.
4. Оптимальный диапазон потоковой передачи блютуза составляет около 10 метров (30 футов) до приёмника (в пределах видимости), но возможно расстояние и до 30 метров (100 футов).
5. Если Bluetooth-соединение потеряно из-за превышения оптимального расстояния или времени разъединения, препятствий или по другой причине, может потребоваться повторное подключение Вашего устройства к радио.
6. Физические препятствия, другие беспроводные устройства или электромагнитные устройства могут повлиять на качество соединения.
7. Эффективность Bluetooth-соединения может варьироваться в зависимости от подключённых Bluetooth-устройств. Прежде чем подключаться к радио, проверьте функции блютуза Вашего устройства. Не все функции могут поддерживаться на некоторых подключённых Bluetooth-устройствах.

## ВОСПРОИЗВЕДЕНИЕ АУДИОФАЙЛОВ В РЕЖИМЕ БЛЮТУЗА

Если Вы успешно подключили радио к выбранному Bluetooth-устройству, можно начать воспроизведение музыки с помощью элементов управления на

подключённом блютуз-устройстве.

1. После начала воспроизведения отрегулируйте громкость до нужного уровня с помощью регулятора громкости на радио или на Вашем подключённом блютуз-устройстве.
2. Используйте кнопки управления на устройстве для воспроизведения/паузы и навигации по трекам.

#### **ПРИМЕЧАНИЕ:**

1. Не все приложения или устройства могут реагировать на все элементы управления.
2. Некоторые мобильные телефоны могут временно отключиться от радио, если Вы совершаете или принимаете звонки. Некоторые устройства могут временно отключить потоковое аудио через блютуз, когда поступают текстовые сообщения, электронные письма или по другим причинам, не связанным с потоковой передачей аудио. Такое поведение является функцией подключённого устройства и не свидетельствует о неисправности радиоприёмника.

### **ВОСПРОИЗВЕДЕНИЕ С РАНЕЕ ПОДКЛЮЧЁННОГО БЛЮТУЗ-ИСТОЧНИКА**

Радиоприёмник способен запомнить 8 устройств. Когда достигается предел памяти, самая старая запись удаляется, освобождая место для новой записи. Если Ваше блютуз-устройство уже было ранее подключено к радиоприёмнику, он запомнит Ваше блютуз-устройство и выполнит подключение того устройства, которое было подключено к нему последним. Если последнее подключённое устройство недоступно, радио будет готово к обнаружению и подключению.

### **ОТКЛЮЧЕНИЕ ВАШЕГО БЛЮТУЗ-УСТРОЙСТВА**

Нажмите и удерживайте кнопку соединения блютуза в течение 2-3 секунд, чтобы отключить Ваше блютуз-устройство. Кнопки блютуз-индикатора начнут мигать синим цветом, сигнализируя о том, что радио снова готово к обнаружению и подключению.

### **ГНЕЗДО АУКСИАЛЬНОГО ВХОДА**

В приёмнике имеется два ауксильных стереовхода 3,5 мм. Один расположен впереди (AUX IN 1); а второй находится на отсеке для батареи (AUX IN 2).

1. Подключите внешний аудиоисточник (например, iPod, MP3 или CD-плеер) к гнезду ауксильного входа с помощью аудиошнура.
2. Поочерёдно нажимайте и отпускайте кнопку "Группа", пока на дисплее не высветится "AUX IN 1" или "AUX IN 2", после чего ауксильная функция активируется.

3. Чтобы добиться лучшего качества звука, рекомендуем настроить на Вашем устройстве громкость на более чем две трети мощности, а затем отрегулировать громкость на радио по своему желанию.

#### **ПРИМЕЧАНИЕ:**

Аудиошнур не входит в стандартный комплект.

## **МНОЖЕСТВЕННЫЕ НАСТРОЙКИ**

### **ЯЗЫК**

Радиоприёмник поддерживает восемь языков интерфейса:

английский, немецкий, итальянский, французский, голландский, датский, норвежский и польский.

1. Нажмите кнопку расширенных настроек.
2. Вращайте регулятор громкости/настройки/выбора до тех пор, пока на дисплее не отобразится индикация "Язык". Нажмите регулятор громкости/настройки/выбора, чтобы ввести настройку.
3. Вращайте регулятор громкости/настройки/выбора, чтобы выбрать нужный язык. Нажмите регулятор громкости/настройки/выбора, чтобы подтвердить настройку.

### **РЕГУЛИРОВКА ЯРКОСТИ**

Подсветка кнопок может быть отрегулирована.

1. Нажмите кнопку расширенных настроек.
2. Поворачивайте кнопку Громкость/Настройки/Выбор, пока на дисплее не высветится "Подсветка кнопок". Нажмите кнопку Громкость/Настройки/Выбор, чтобы войти в настройки.
3. Поворачивайте кнопку Громкость/Настройки/Выбор, чтобы выбрать "Вкл" или "Выкл", чтобы активировать или деактивировать функцию подсветки кнопок, а затем нажмите на кнопку Громкость/Настройки/Выбор, чтобы подтвердить настройку.

### **СБРОС СИСТЕМЫ**

Если радио работает ненадлежащим образом или некоторые цифры на экране отсутствуют или неполные, выполните следующую процедуру.

1. Нажмите кнопку расширенных настроек.
2. Вращайте регулятор громкости/настройки/выбора до тех пор, пока на дисплее не отобразится индикация "Сброс к заводским настройкам". Нажмите регулятор громкости/настройки/выбора, чтобы ввести настройку.
3. Вращайте регулятор громкости/настройки/выбора, чтобы выбрать "Да". Нажмите регулятор громкости/настройки/выбора, чтобы подтвердить настройку;

при этом будет выполнен полный сброс настроек.

## ВЕРСИЯ ПРОГРАММНОГО ОБЕСПЕЧЕНИЯ

1. Нажмите кнопку расширенных настроек.
2. Вращайте регулятор громкости/настройки/выбора до тех пор, пока на дисплее не отобразится индикация "Версия ПО". Нажмите регулятор громкости/настройки/выбора, чтобы просмотреть версию программного обеспечения радиоприемника.

## ПОРТ MICRO USB ДЛЯ ОБНОВЛЕНИЯ ПРОГРАММНОГО ОБЕСПЕЧЕНИЯ

В дальнейшем могут быть доступны обновления программного обеспечения для радиоприемника. По мере появления обновлений программного обеспечения данное ПО и информация о способе обновления прошивки радиоприемника будут публиковаться на [веб-сайте Makita](#).

## ОБСЛУЖИВАНИЕ

### **⚠ ПРЕДУПРЕЖДЕНИЕ:**

Запрещается использовать бензин, лигроин, растворитель, спирт и т.п. Это может привести к изменению цвета, деформации и появлению трещин.

## ТЕХНИЧЕСКИЕ ХАРАКТЕРИСТИКИ

Требования к электропитанию	
Адаптер переменного тока	12 В пост. Тока 1,2А, центральный контакт положительный
Аккумулятор	Аккумуляторный блок: 7,2 В - 10,8 В Выдвижной аккумулятор: 10,8 В - 18 В
Диапазон частот	FM 87,50 - 108МГц DAB/DAB+ 174,928-239,200МГц
Блок каналов DAB/DAB+	DAB (диапазон III) 5A-13F
Совместимый стандарт	DAB/DAB+

Bluetooth®	
(Словесный знак и логотипы Bluetooth® являются зарегистрированными товарными знаками компании Bluetooth SIG, Inc.)	
Версия Bluetooth	4,0
Конфигурации Bluetooth	A2DP/SCMS-T
Электропередача	Класс мощности 2
Диапазон передачи	Оптимальное расстояние: Макс. 10 м (33 фута) Возможно: Макс. 30 м (100 фута) (в зависимости от условий использования)
Поддерживаемый кодек	SBC, AAC
Совместимые конфигурации Bluetooth	A2DP
Максимальная мощность радиочастоты	BT EDR: 3,12дБм BT LE: 2,31дБм
Рабочая частота	2402МГц~2480МГц

Параметры контура	
Акустическая система	3,5 дюйма 32 Ом x 2
Выходная мощность	7,2 В: 0,6 Вт x 2 12 В макс.: 1,7 Вт x 2 14,4 В: 3 Вт x 2 18 В: 4,9 Вт x 2
Входной разъем диам	3,5 мм (AUX IN1/AUX IN2)
Антенная система	DAB/FM: штыревая антенна
Размеры (Д x Ш x В)	282 x 163 x 294 mm
Масса	4,3кг (без аккумулятора)

**Makita Europe N.V.** Jan-Baptist Vinkstraat 2,  
3070 Kortenberg, Belgium

**Makita Corporation** 3-11-8, Sumiyoshi-cho,  
Anjo, Aichi 446-8502 Japan

3A81cP5Z6000A  
DMR112-SE8-1810

[www.makita.com](http://www.makita.com)

SJN