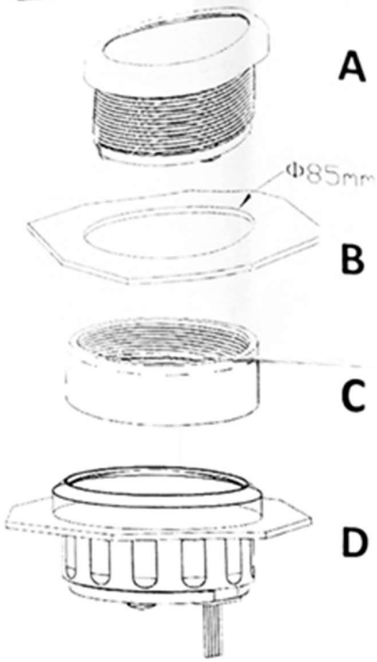


# Owner's Manual



Picture B: Before installation, firstly, to open a hole  $\Phi 85\text{mm}$  (3 3/8") of the panel, make sure there is a space with (55mm backyard of panel) as well.

Picture D: Put the gauge in the hole and screw down.

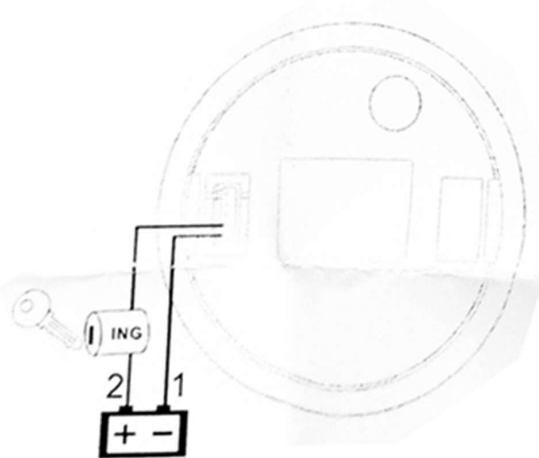
## installation instructions



Installed in front



Can't receive GPS signal



### Connection

- 1 Black: Ground(-)
- 2 Red: 9-30VDC



GPS antenna

SOG: Speed Over Ground

COG: Course Over Ground

TRIP: Return zero when off electricity

ODO: Accumulated odometer

Touch the back button of the meter, we can switch the unit: knot, MPH, km/h and save automatically.