



GARAGE DOOR OPENER

CASAR® 600 / 800

INSTALLATION INSTRUCTION AND OWNER'S MANUAL

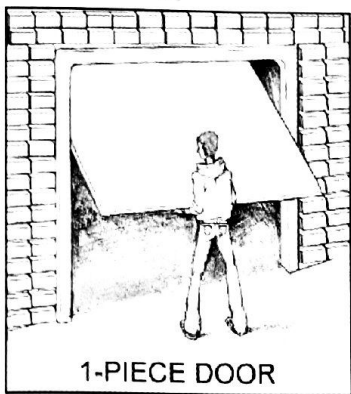
WARNING: Important safety instructions. It is important for the safety of persons to follow all instruction. Save these instructions.

CE EMC 

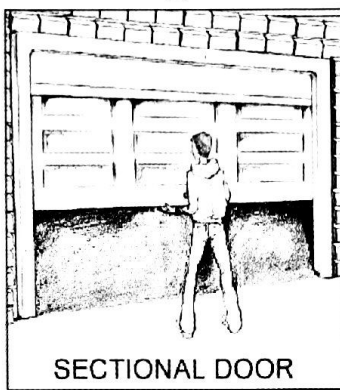
REV 15a

1

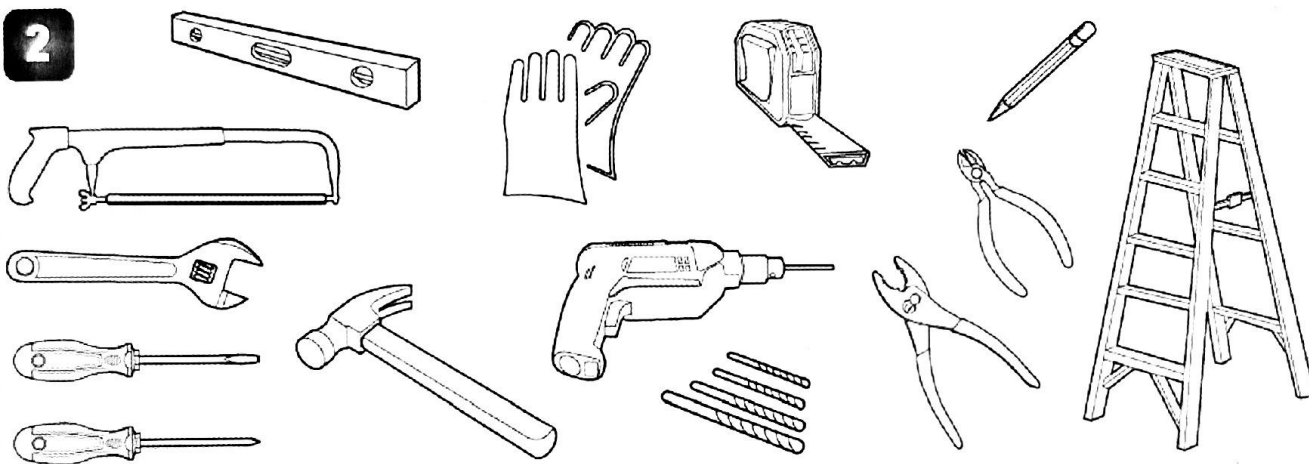
A



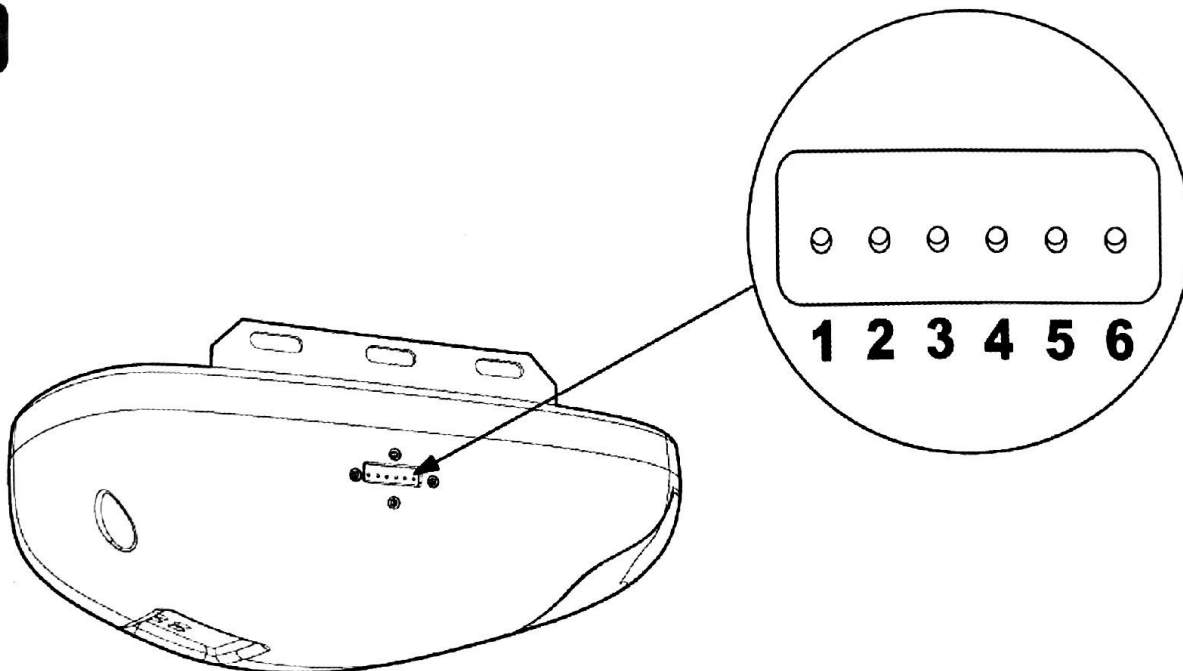
B

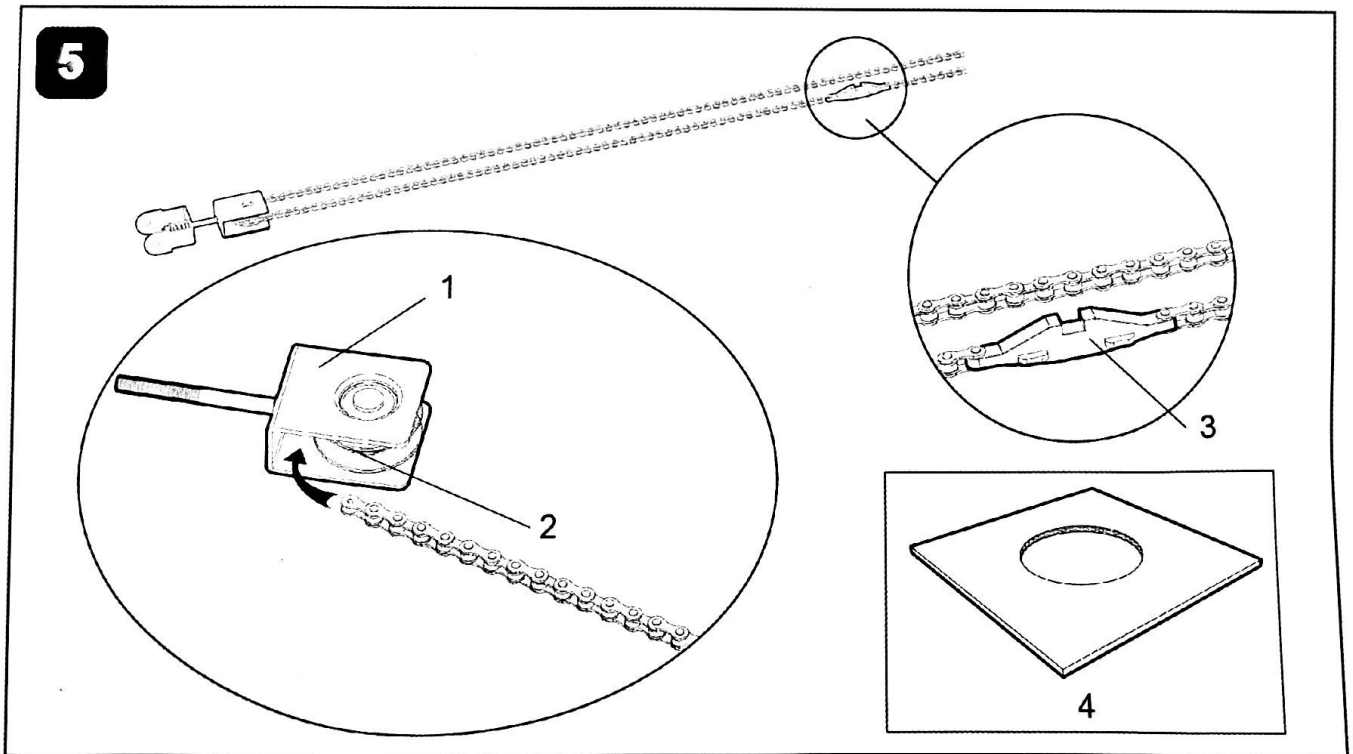
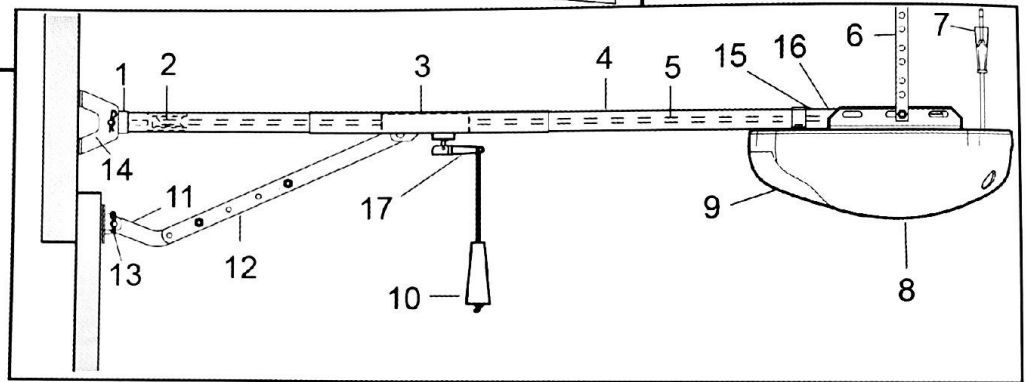
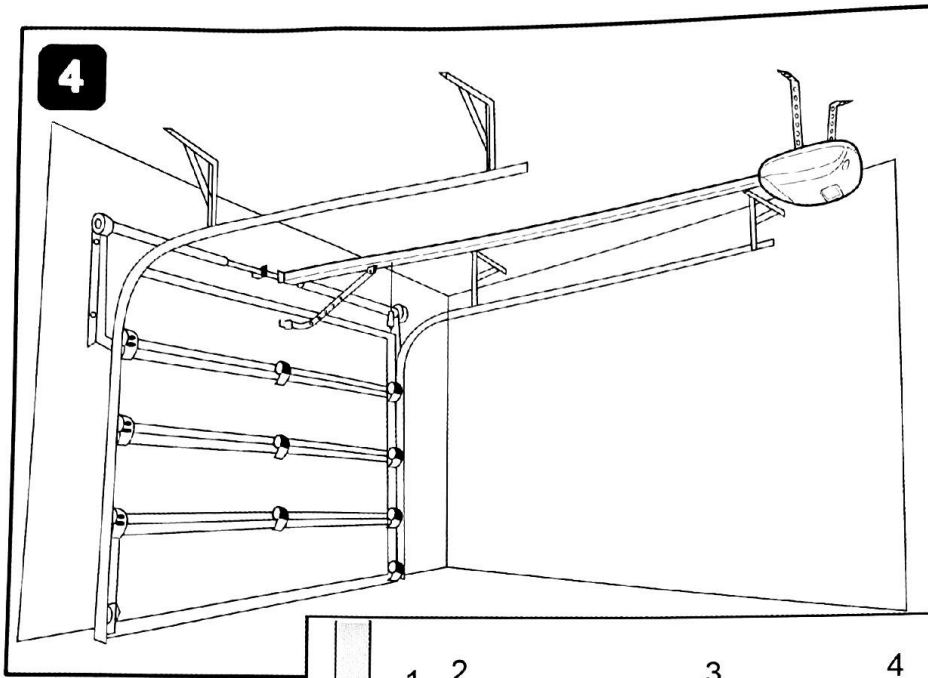


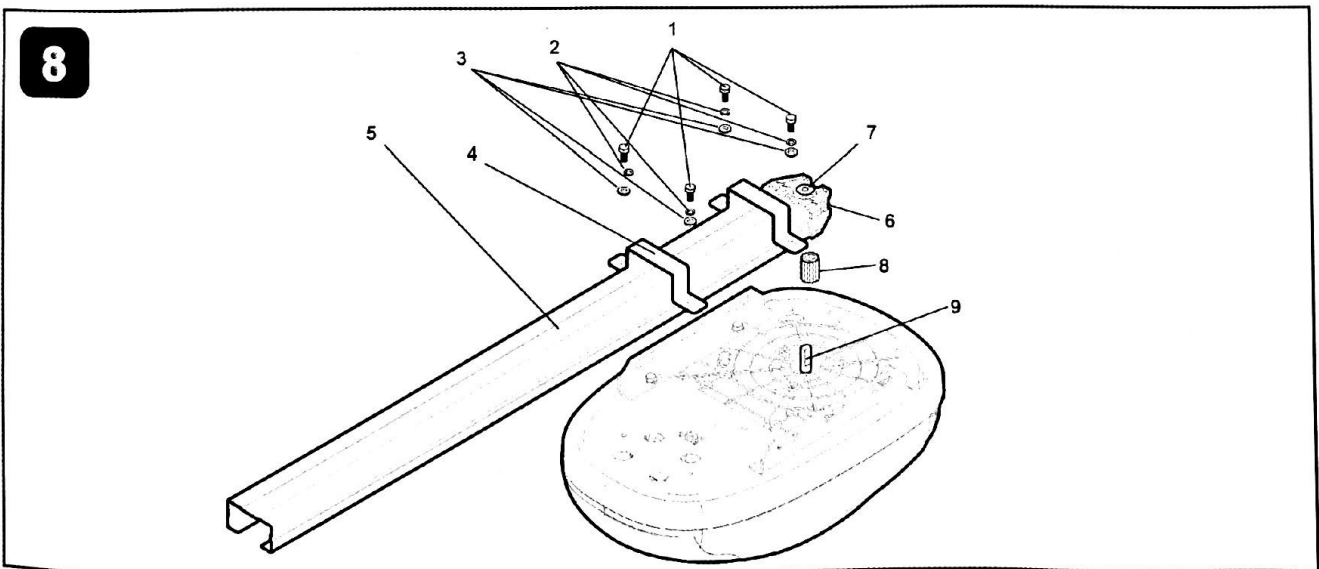
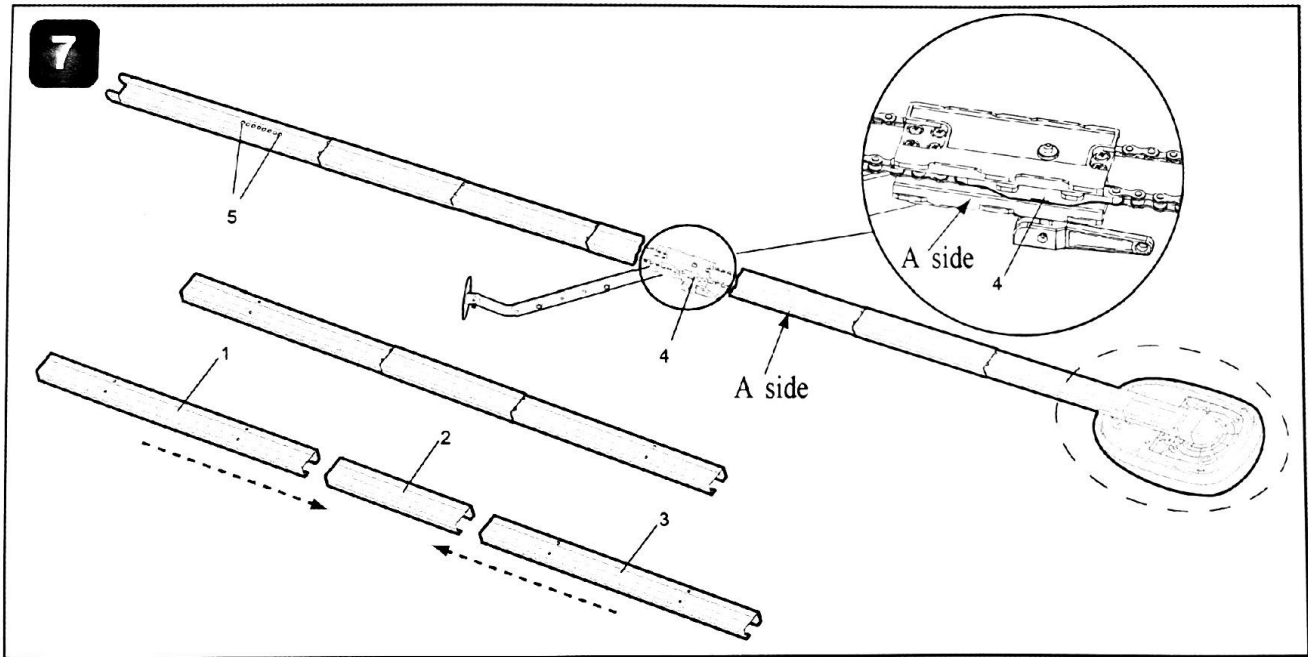
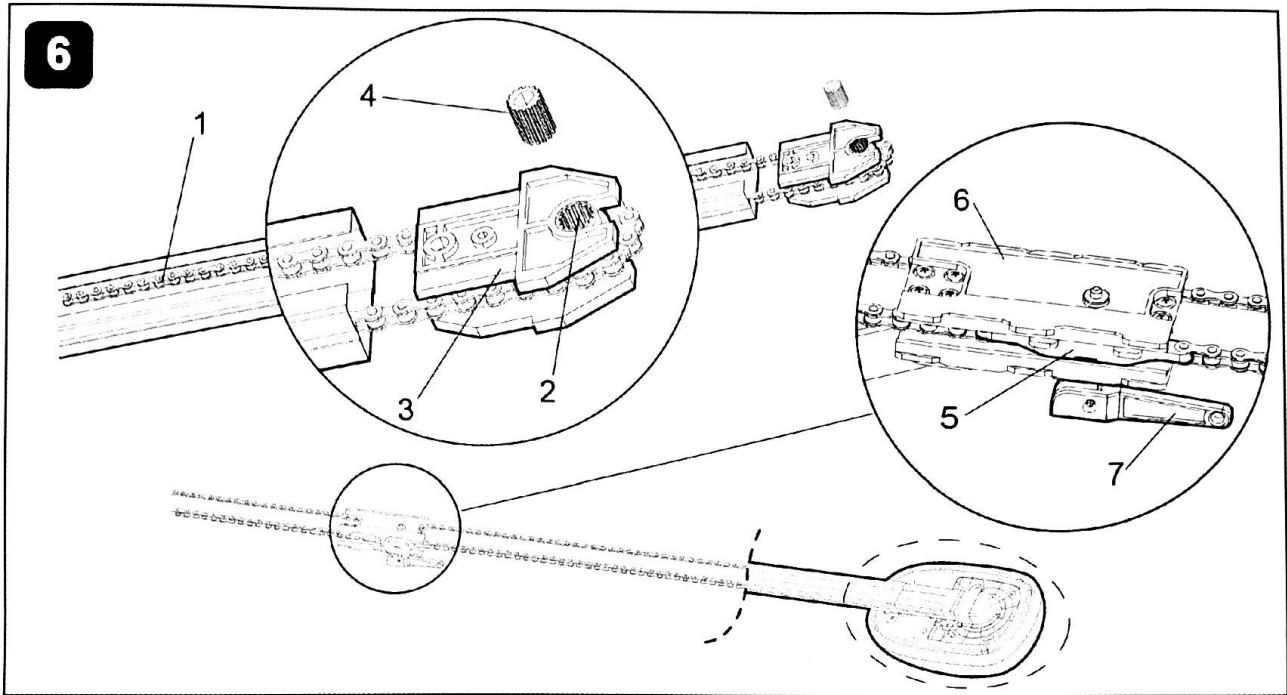
2



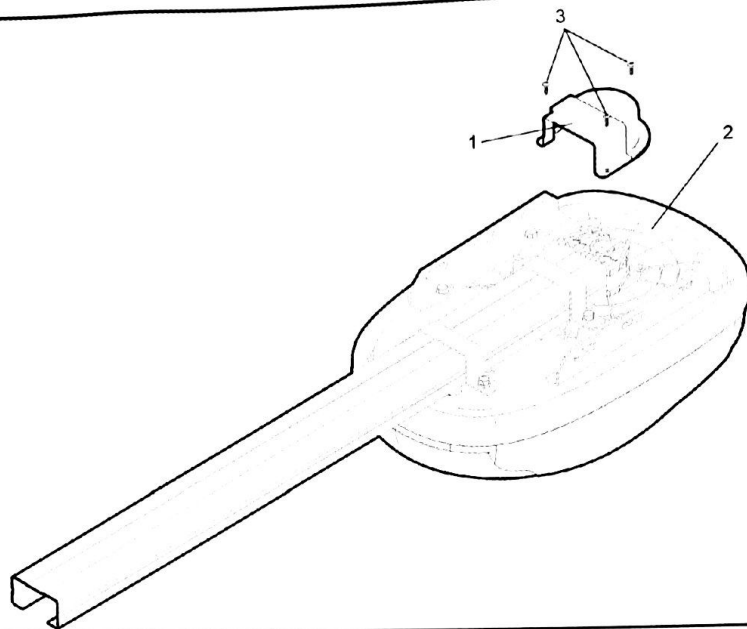
3



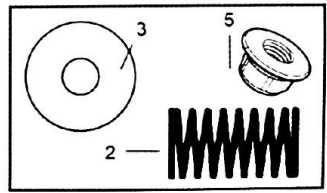
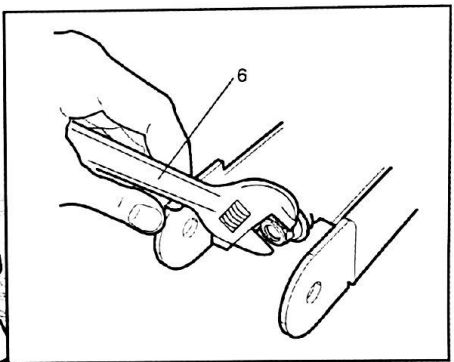
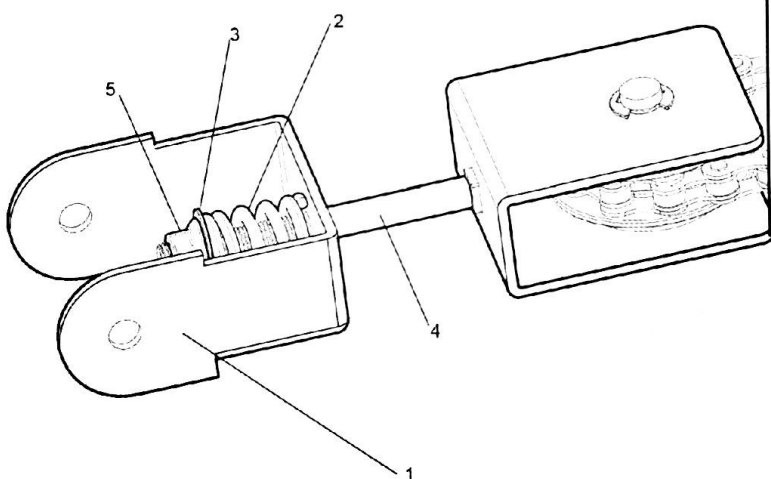




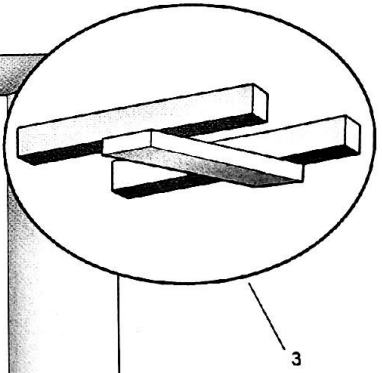
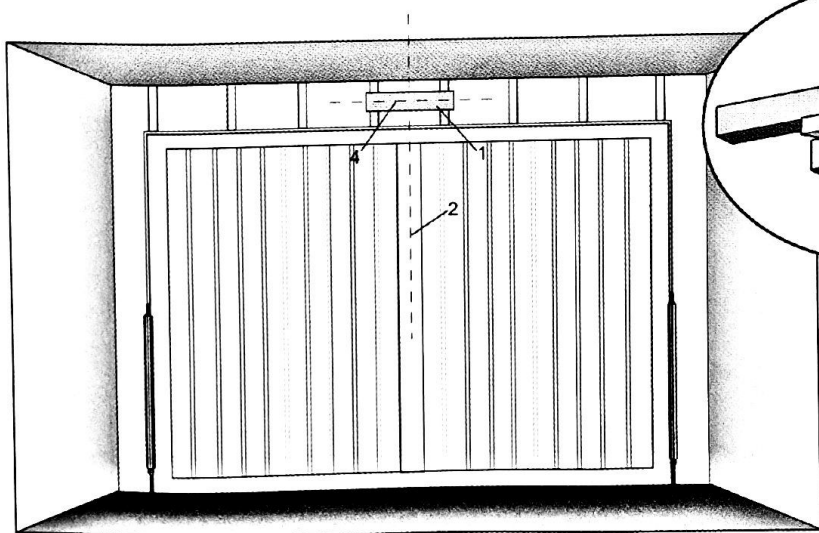
9



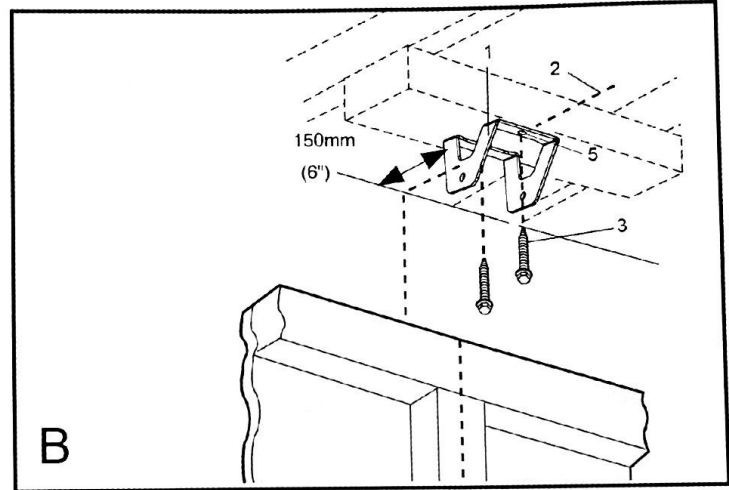
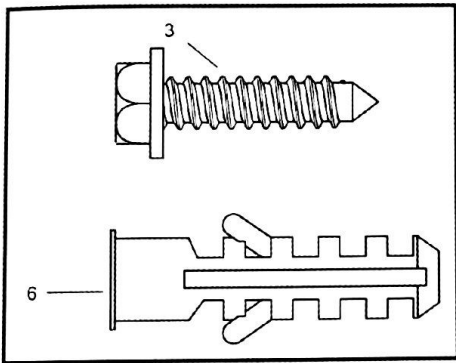
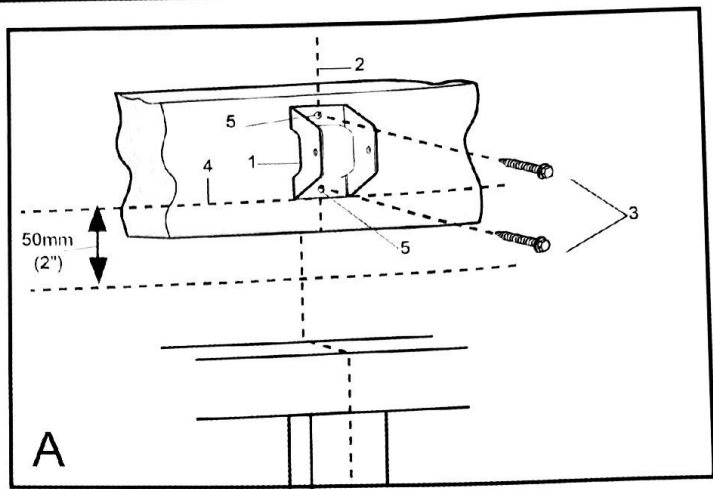
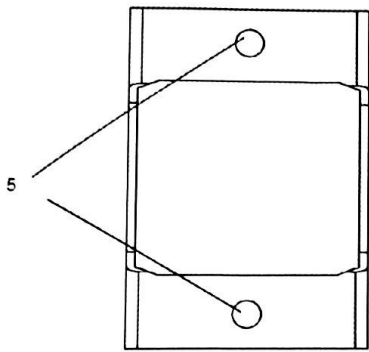
10



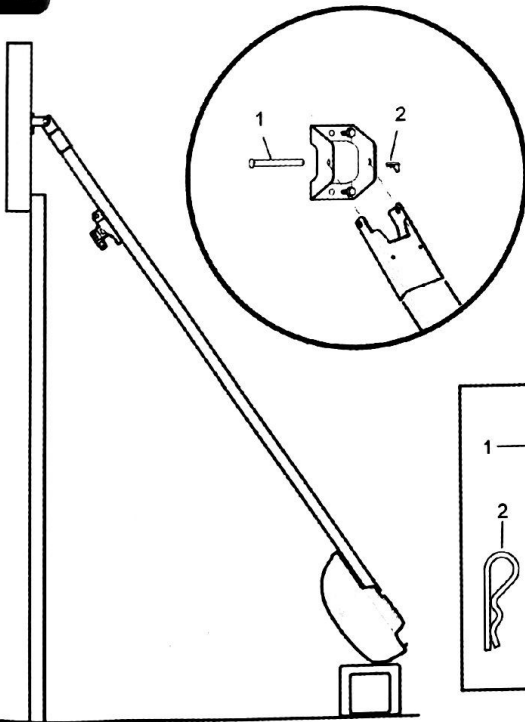
11



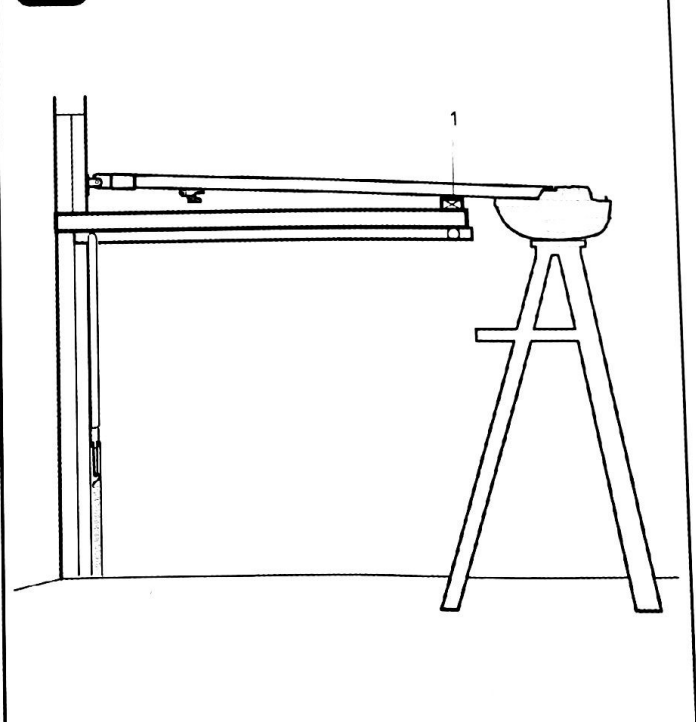
12



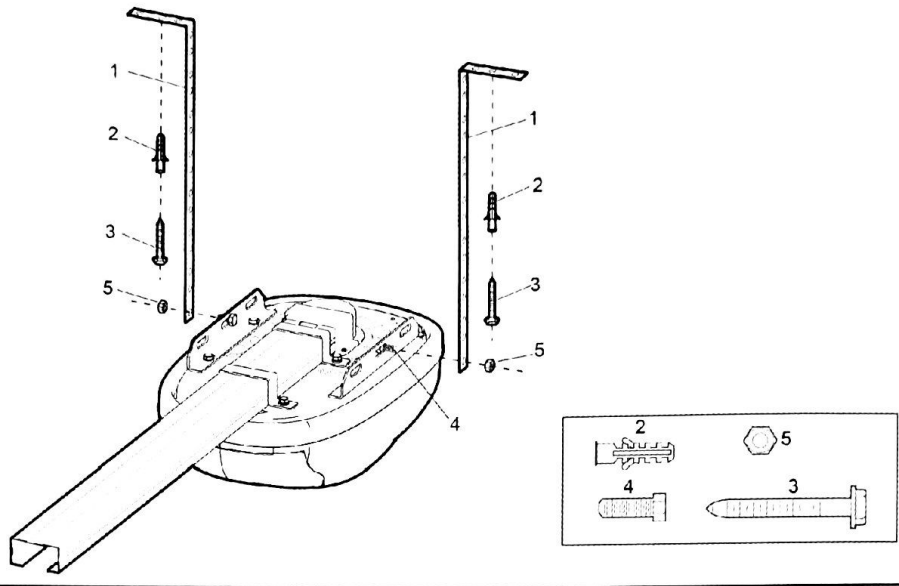
13



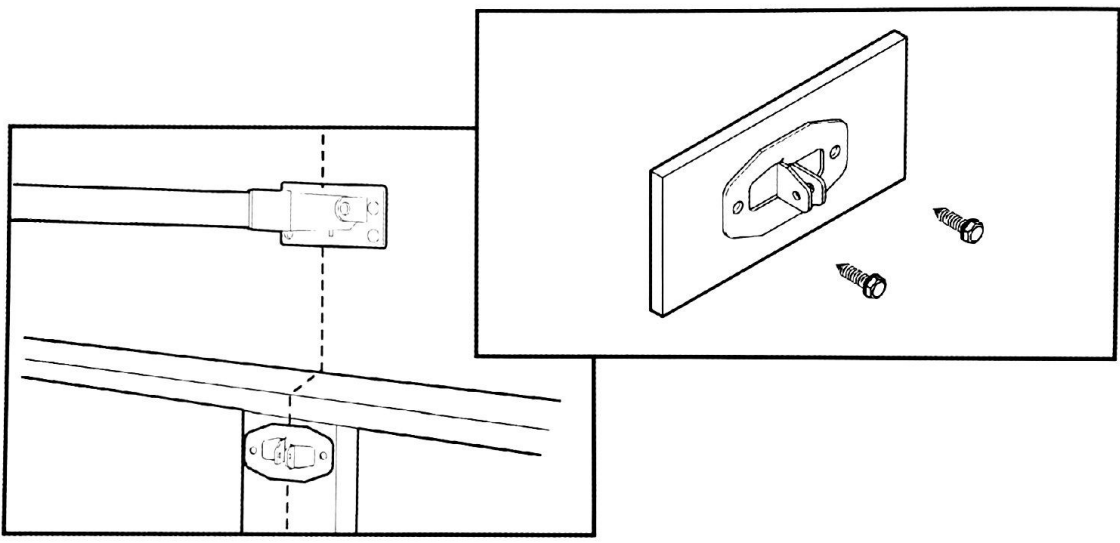
14



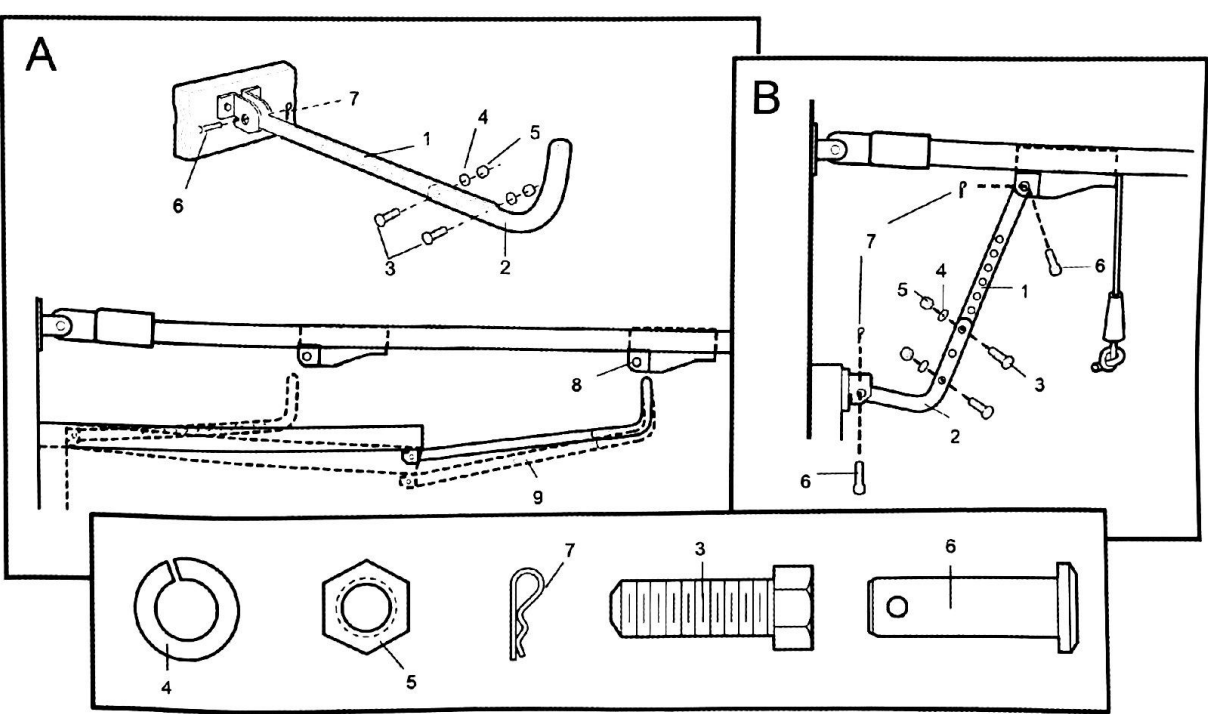
15



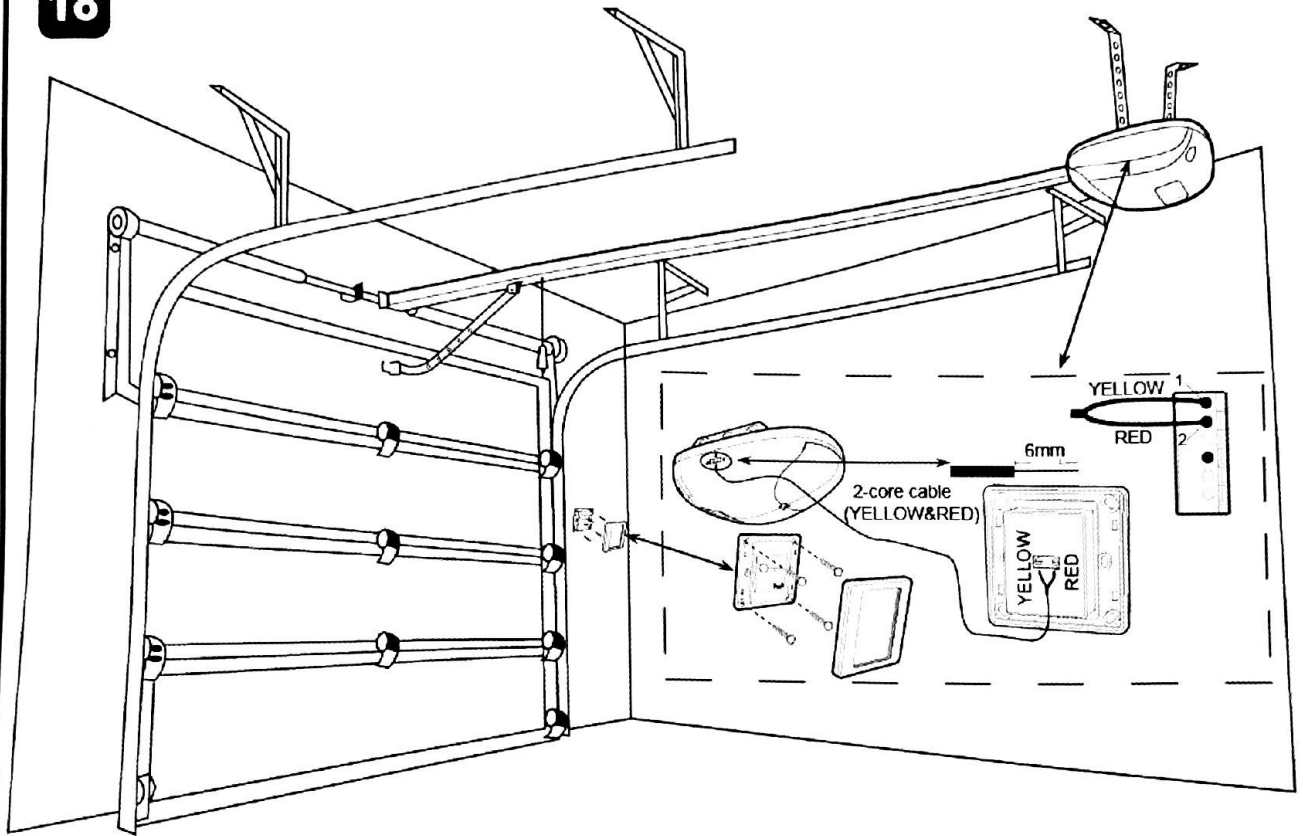
16



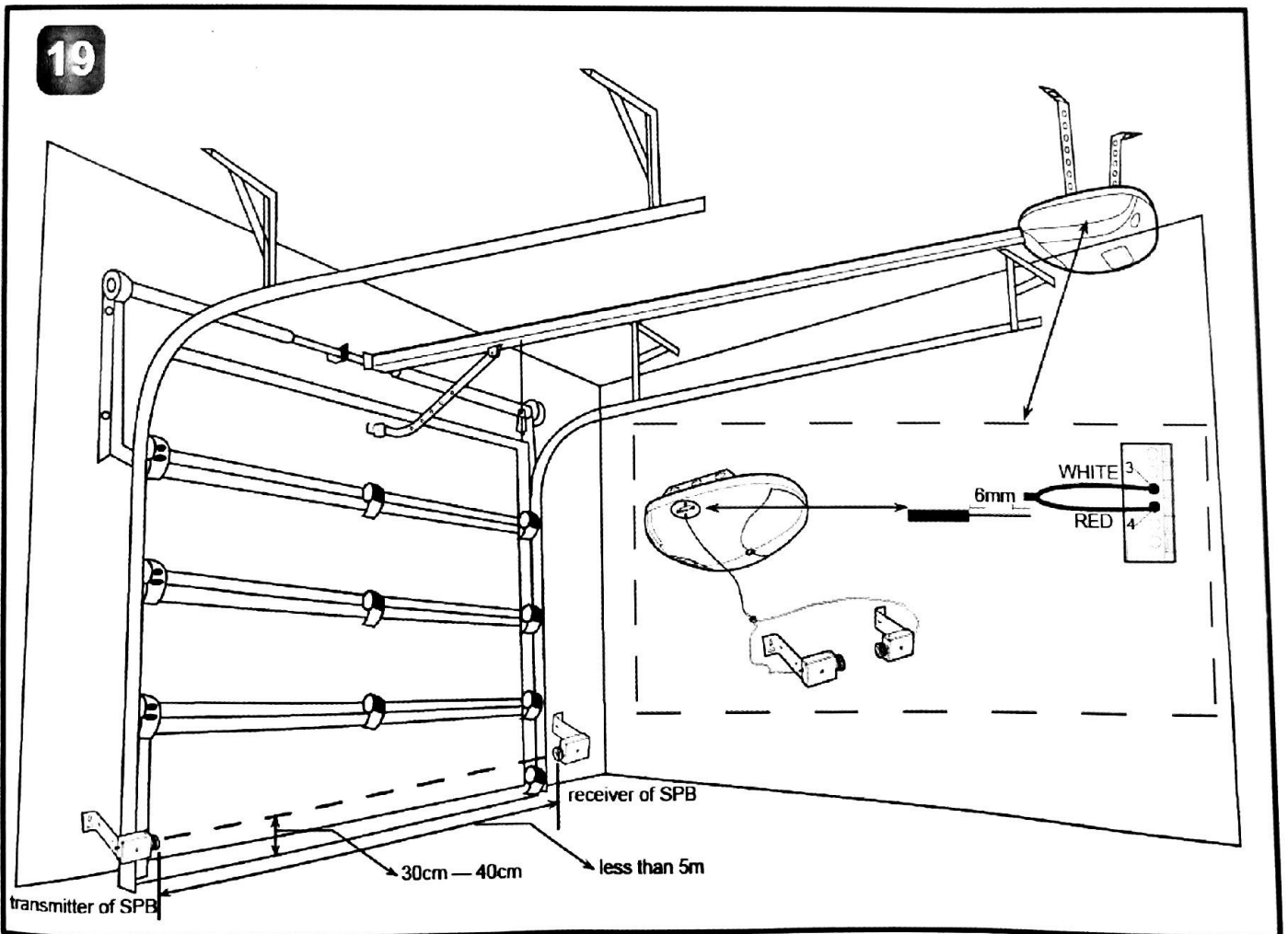
17

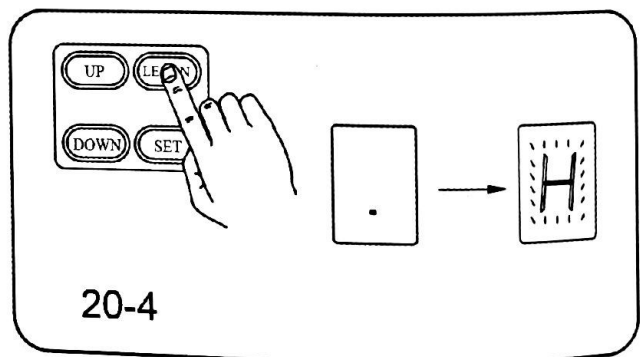
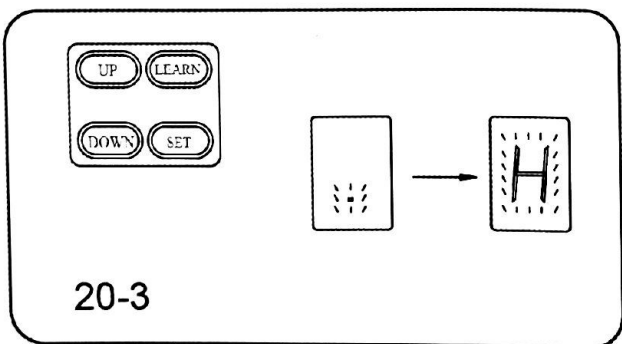
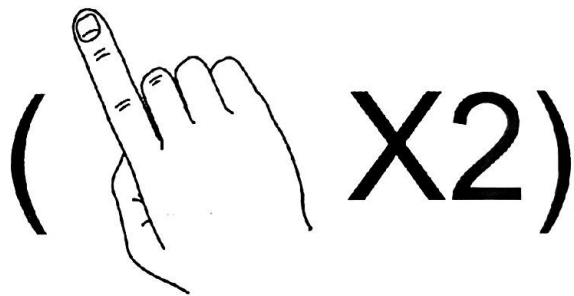
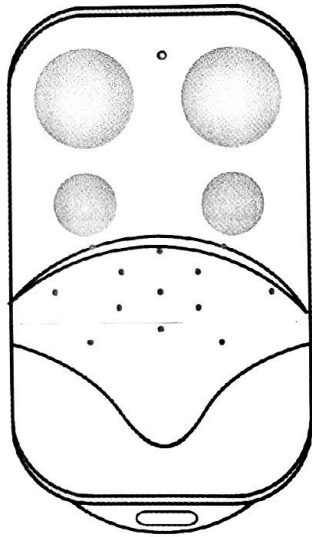
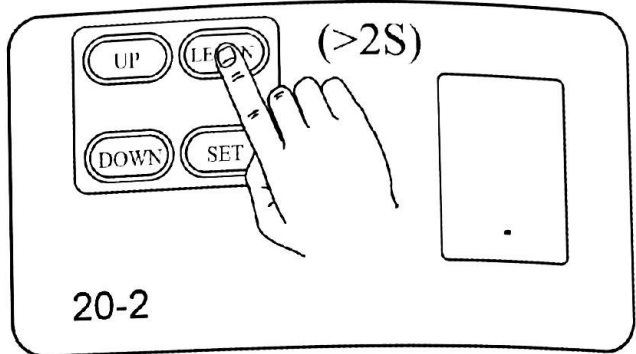
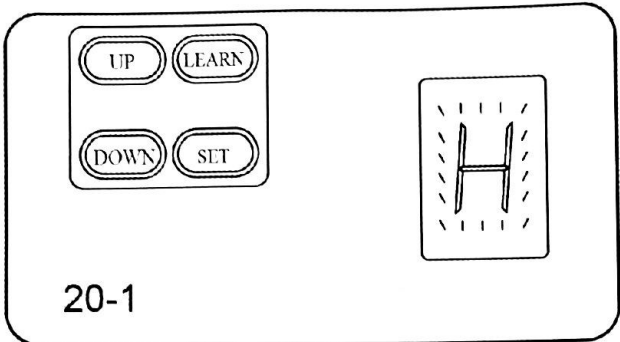


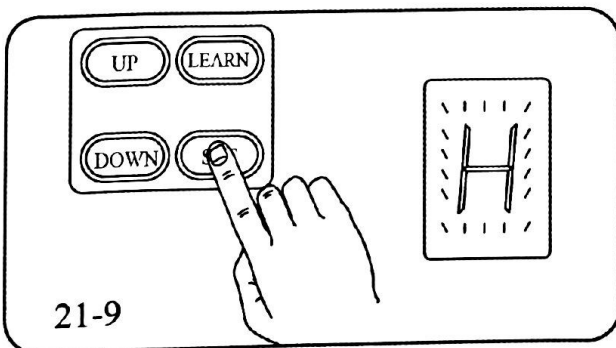
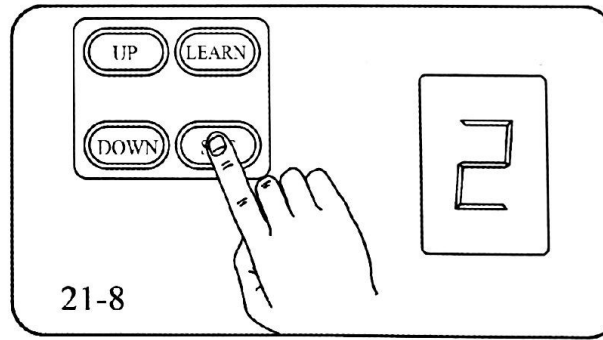
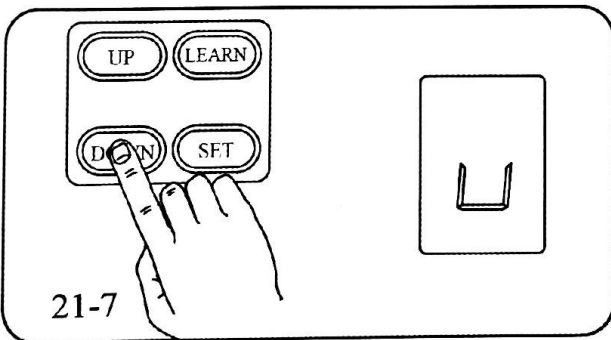
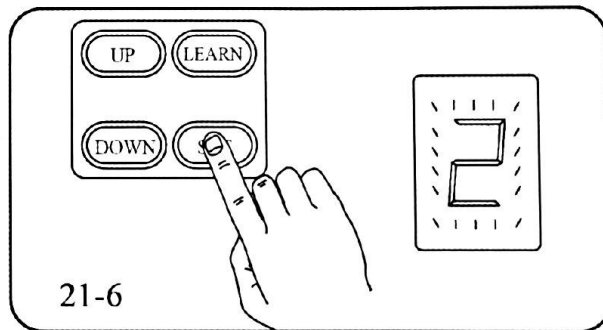
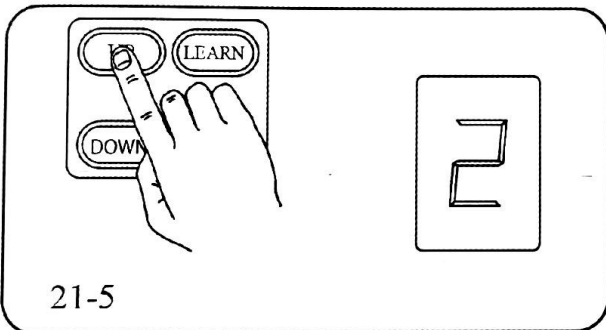
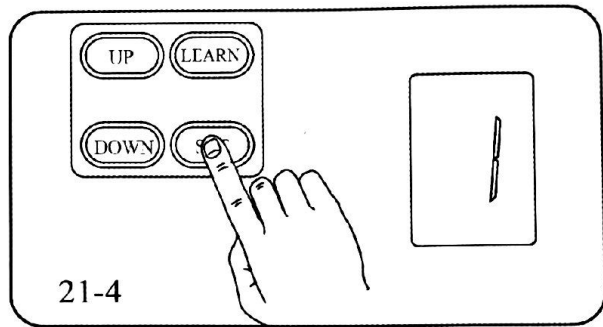
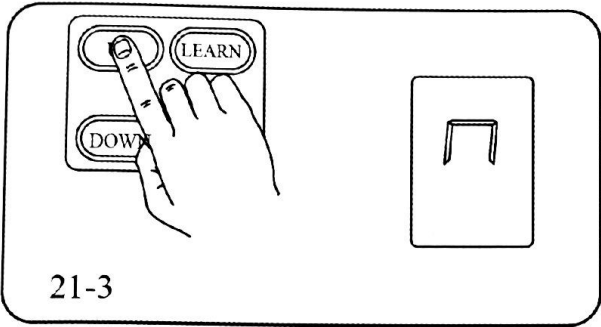
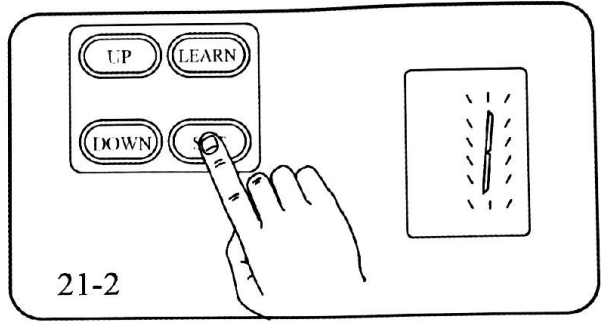
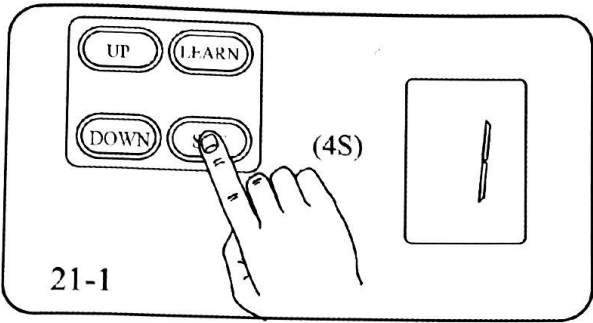
18



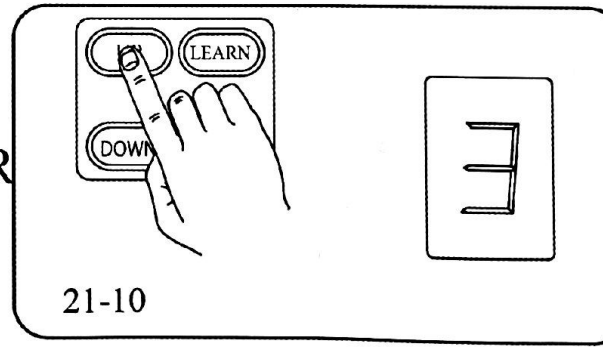
19

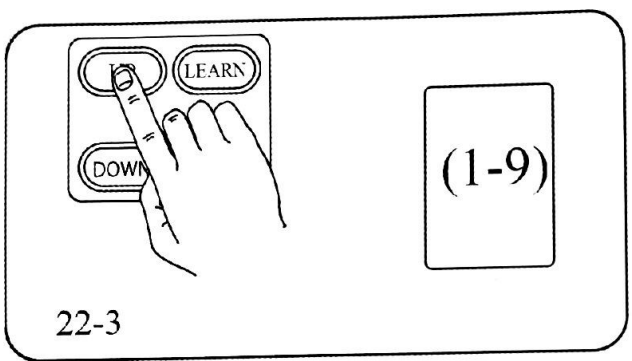
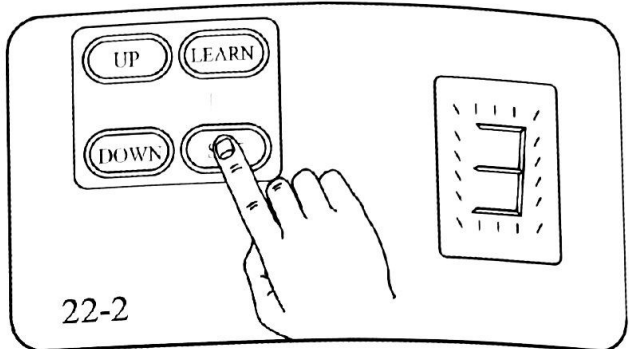
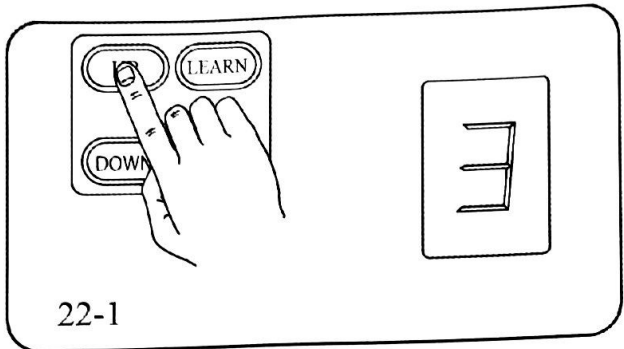




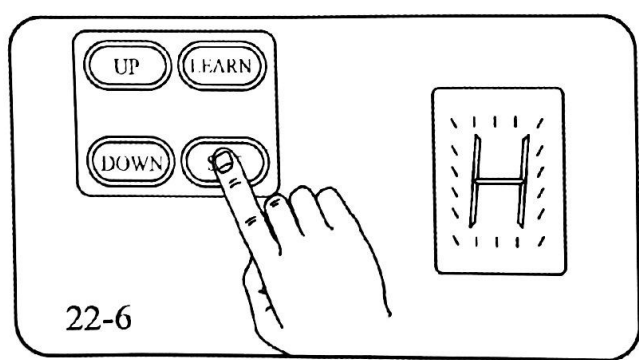
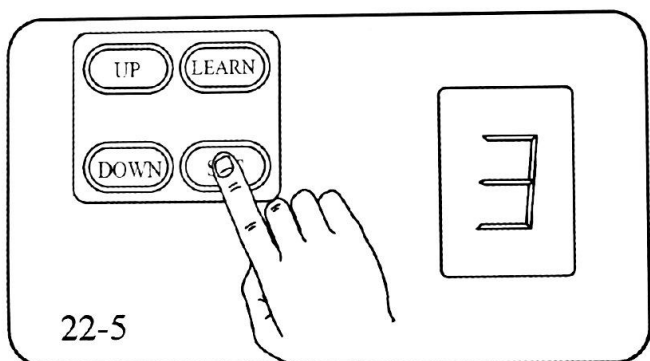
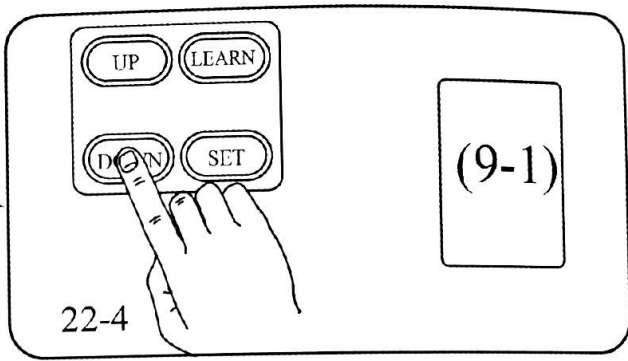


OR

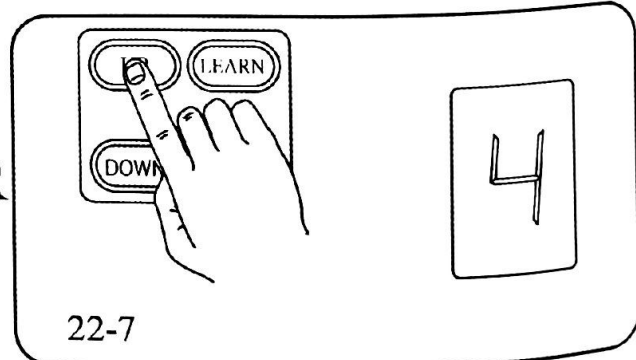


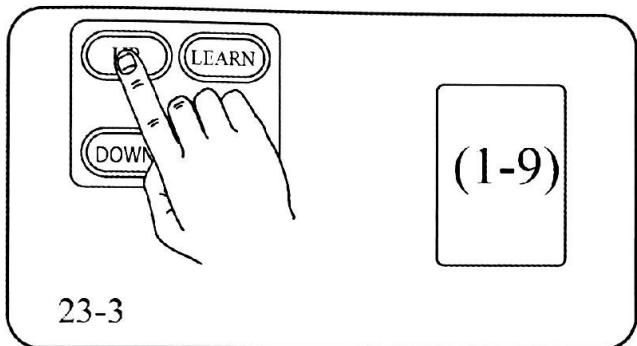
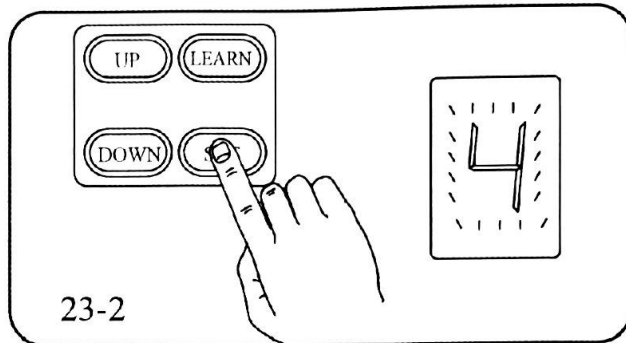
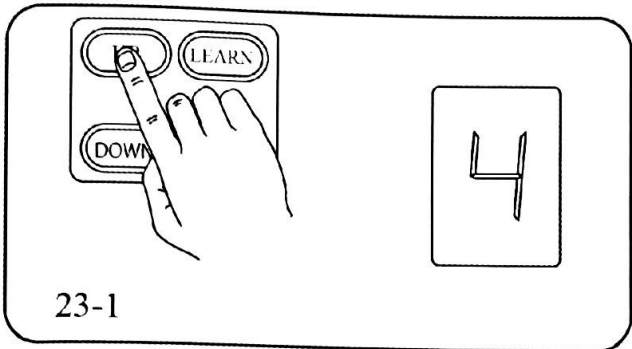


OR

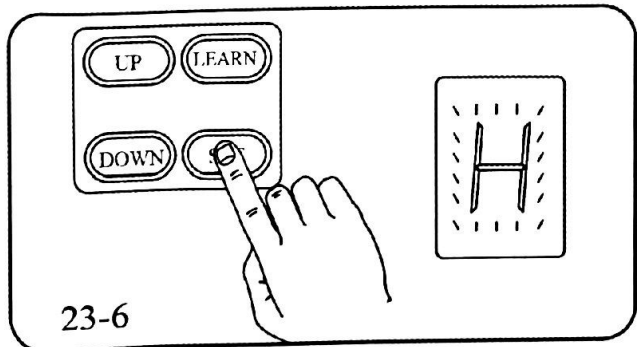
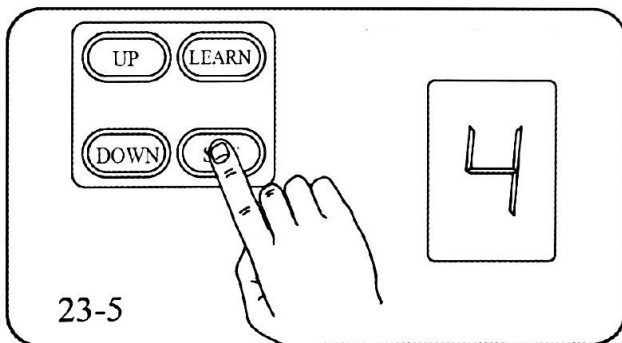
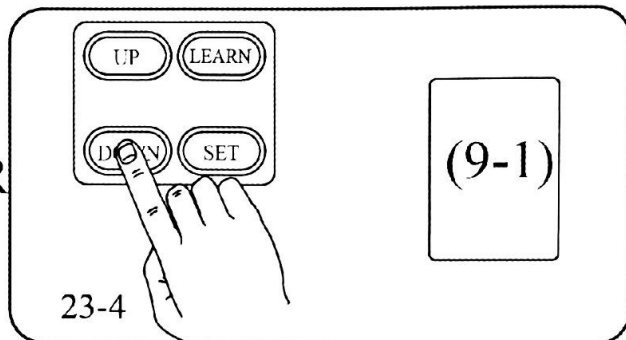


OR

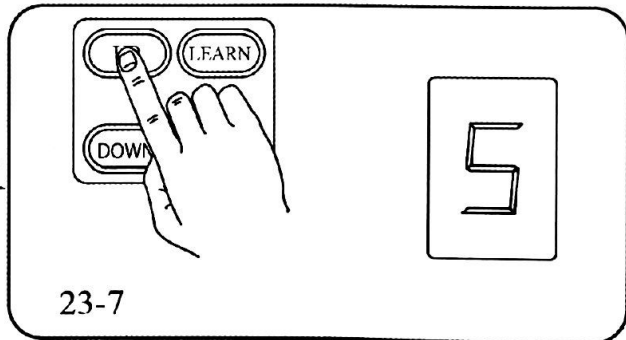


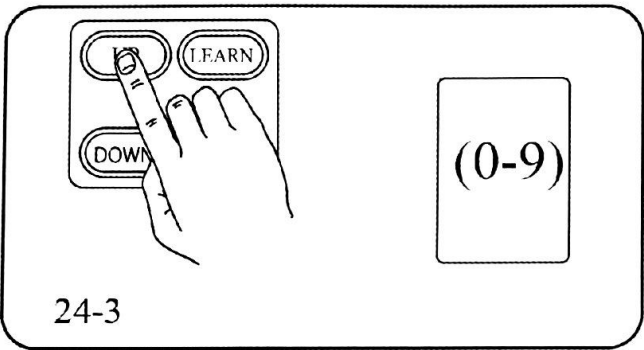
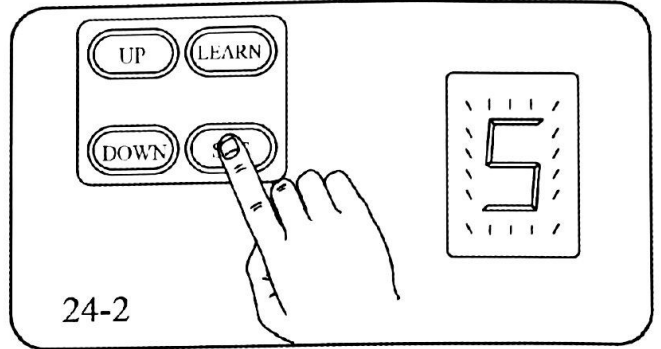
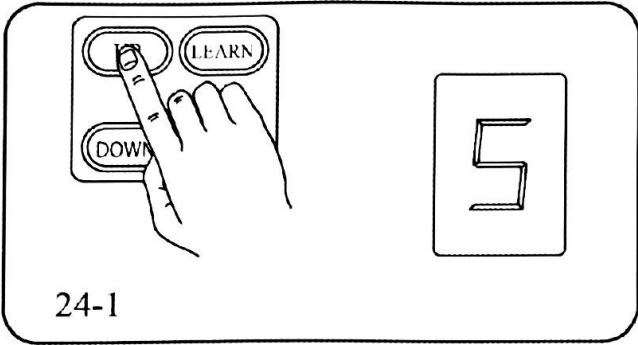


OR

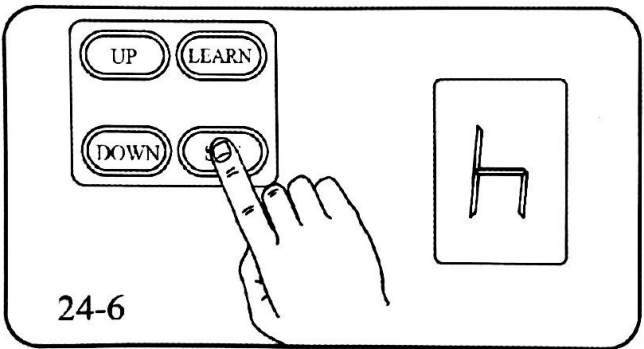
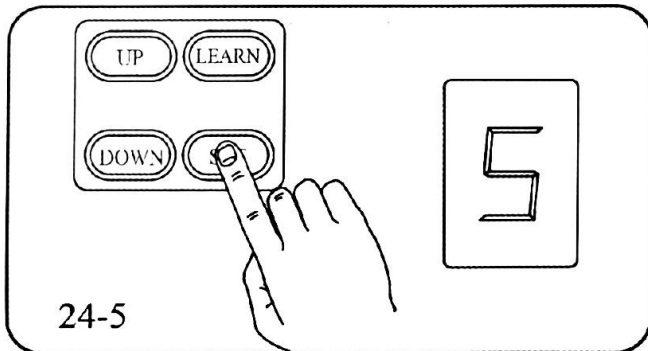
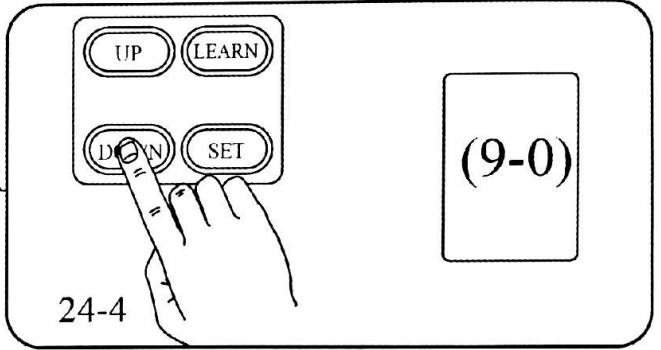


OR

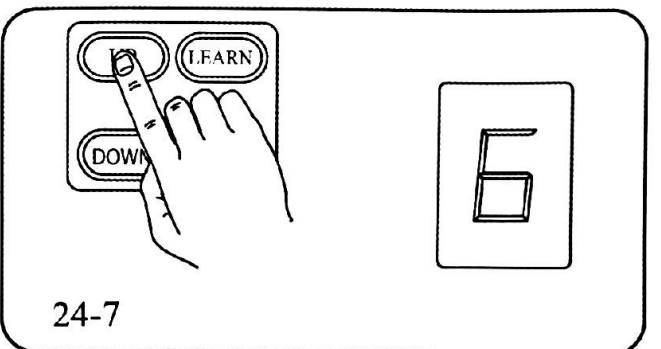


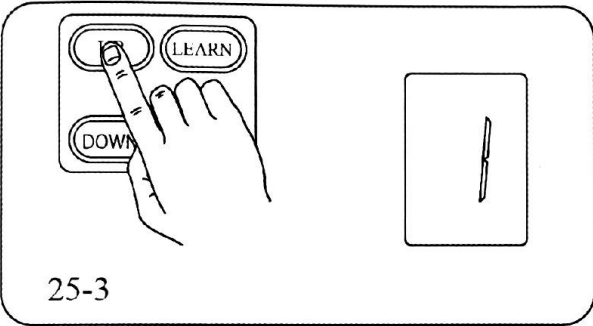
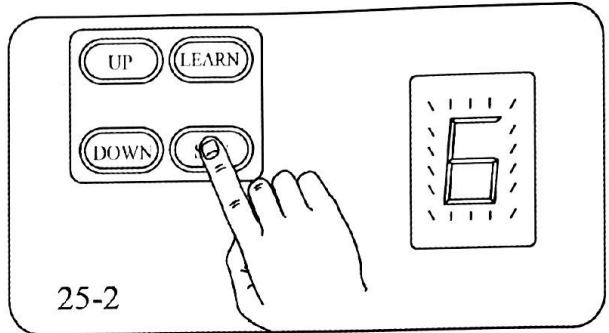
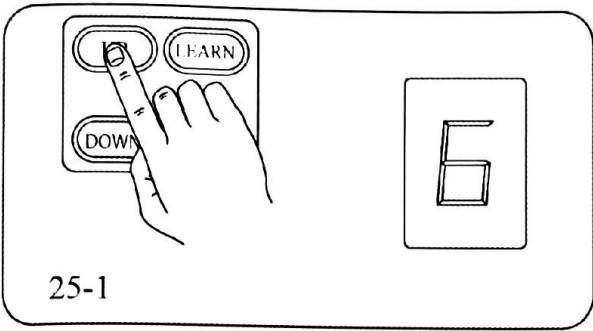


OR

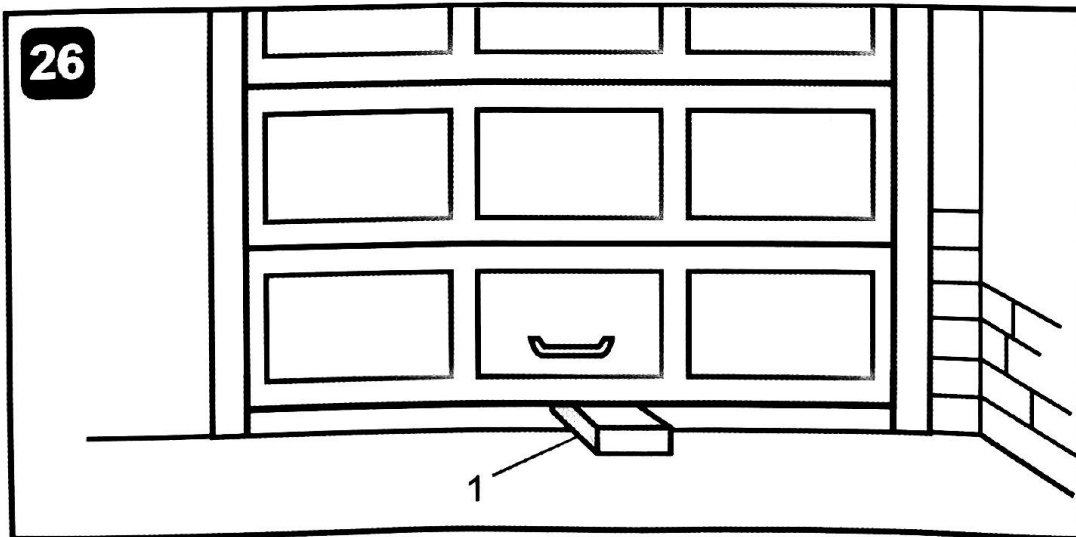
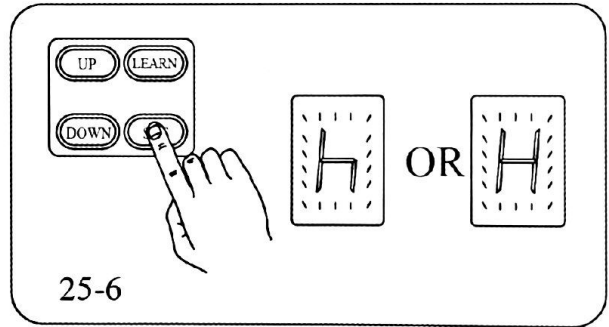
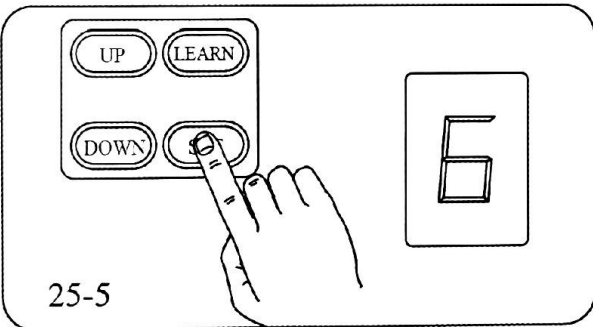
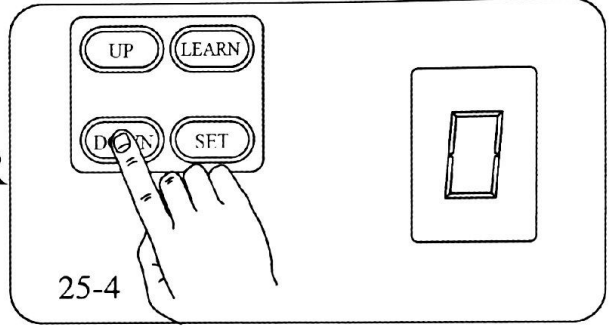


OR





OR



Start by Reading These Important Safety Rules

These safety alert symbols mean **WARNING** — a personal safety or property damage instruction.



Read these instructions carefully.

This garage door opener is designed and tested to offer reasonable safe service provided it is installed and operated in strict accordance with the following safety rules.

Failure to comply with the following instructions may result in serious personal injury or property damage.

The garage door opener is not intended for use by persons (including children) with reduced physical, sensory or mental capabilities, or lack of experience and knowledge, unless they have been given supervision or instruction concerning use of the appliance by a person responsible for this safety.

WARNING: If your garage has no service entrance door, an Outside Quick Release must be installed. This accessory allows manual operation of the garage door from outside in case of power failure.



Keep garage door balanced. Sticking or binding doors must be repaired. Garage doors, door springs, cables, pulleys, brackets and their hardware are under extreme tension and can cause serious personal injury. Do not attempt to loosen, move or adjust them. Call for garage door service.



Do not wear rings, watches, or loose clothing while installing or servicing a garage door opener.



Before installing the garage door opener, remove all unnecessary ropes or chains and disable any equipment, such as locks, not needed for powered operation. Check that the door is in good mechanical condition, correctly balanced and opens and closes properly. Installation and wiring must be in compliance with your local building and electrical codes. Connect the power supply cord only to properly earthed mains.



Lightweight doors of fiberglass, aluminum or steel must be substantially reinforced to avoid door damage. The best solution is to check with your garage door manufacturer for an opener installation reinforcement kit.



Important safety instructions. Follow all instructions since incorrect installation can lead to severe injury.



This unit should not be installed in a damp or wet space.



After installation, ensure that the mechanism is properly adjusted and that the opener reverses when the door contacts a 100mm high object placed on the floor. Failure to properly adjust the opener may result in serious personal injury from a closing garage door. Each month check that the opener reverses when the door contacts a 100mm high object placed on the floor for opener incorporating an entrapment protection system depending on contact with the bottom edge of the door. Adjust if necessary and recheck since an incorrect adjustment may present a hazard.



After installation, ensure that parts of the door do not extend over public footpaths or roads.



The opener must not be used with a door incorporating a wicket door (unless the opener can not be operated with the wicket door open.)



Frequently examine the installation, in particular check cable, springs and mountings for signs of wear, damage or imbalance. Do not use if repair or adjustment is needed since a fault in the installation or an incorrectly balanced door may cause injury.



Fasten the child warning label adjacent to the lighted door control button as a reminder of safe operating procedures. Disengage all existing garage door locks to avoid damage to garage door.



Install any fixed control at a height of at least 1.5m and within sight of the door but away from moving parts and out of the reach of children. Permanently fix the labels warning against entrapment in a prominent place or near any fixed controls. Children should be supervised to ensure that they do not play with the appliance. Do not allow children to play with door controls. Keep remote controls away from children. Serious personal injury from a closing garage door may result from misuse of the opener.



Activate opener **ONLY** when the door is in full view, free of obstructions and opener is properly adjusted. No one should enter or leave the garage while the door is in motion. Do not allow children to play near the door. Watch the moving door and keep people away until the door is completely opened or closed.



Install the actuating member for the manual release at a height less than 1.8m. Use manual release only to disengage the trolley and, if possible, **ONLY** when the door is closed. Do not use the red handle to pull the door open or closed.



Take care when operating the manual release since an open door may fall rapidly due to weak or broken springs or being out of balance.



The opener must not be used with a door having opening exceeding 10 mm in diameter or having edges or protruding parts a person could grip or stand on.



Disconnect the supply when cleaning or carrying out other maintenance.



This product is provided with a transformer and power supply cord of special design which, if damaged, **MUST** be replaced by a transformer from your local distributor and fitted by a specialist.

SAVE THESE INSTRUCTIONS

Table of Contents

| | Page | Illustration(s) |
|--|-------|-----------------|
| Safety Rules | 1 | |
| Before You Begin | 2 | |
| Door Types | 3 | 1 |
| Tools Required | 3 | 2 |
| Accessories Connection | 3 | 3 |
| Completed Installation | 3 | 4 |
| Assembly | 4 | 5-10 |
| Installation | 5 | 11-17 |
| Install Door Control (Optional) | 6 | 18 |
| Install the SPB System (Optional) | 7 | 19 |
| Adjustment | 7-9 | 20-24 |
| Set the SPB System (Optional) | 9 | 25 |
| Test the Safety Reverse System | 9 | 26 |
| Light Feature | 10 | |
| Having a Problem? | 10-11 | |
| Care of Your Opener | 11 | |
| Maintenance of Your Opener | 12 | |
| Specifications | 12 | |
| Quick-Setting Guide | 13-16 | |

Before You Begin

1. Look at the wall or ceiling above the garage door. The header bracket **MUST** be securely fastened to structural supports.
2. Do you have a finished ceiling in your garage? If so, a support bracket and additional fastening hardware (not supplied) may be required.
3. Do you have an access door in addition to the garage door? If not, an Outside Quick Release Accessory is required.

1 Door Types

- A. One-Piece Door with Horizontal Track Only
- B. Sectional Door with Curved Track

NOTE: Unit will not work with One-Piece Doors with Horizontal and Vertical Tracks, Double-Wing Doors, or Canopy Doors.

Max. door area: 10m²

Max. door height: 2.3m

Max. door weight: 80kg

2 Tools Required for Installation

See picture 2

3 Accessories Connection

There is Connecting Wire Terminal in the unit's side as picture 3, the function is as follows:

- Terminal 1 for DOOR CONTROL BUTTON
- Terminal 2 for DOOR CONTROL BUTTON
- Terminal 3 for SAFETY PHOTOCELL BEAM (SPB)
- Terminal 4 for SAFETY PHOTOCELL BEAM (SPB)
- Terminal 5 for Additional 24VDC Power Source
- Terminal 6 Reserved

4 Completed Installation

As you proceed with the assembly, installation and adjustment procedures in this manual, you may find it helpful to refer back to this illustration of a completed installation.

- | | |
|--------------------------|-----------------------------------|
| (1) Header Sleeve | (10) Manual Release Rope & Handle |
| (2) Idler Pulley Bracket | (11) Curved Door Arm |
| (3) Trolley | (12) Straight Door Arm |
| (4) Rail | (13) Door Bracket & Plate |
| (5) Chain | (14) Header Bracket |
| (6) Hanging Bracket | (15) Driving Wheel |
| (7) Power Cord | (16) Wheel Base |
| (8) Opener | (17) Rope's Lever |
| (9) Light Lens | |

ASSEMBLY SECTION

5 Open the Chain Package (4)

Drill the one end of chain through the space between the pulley bracket (1) and Idler pulley (2), wrapping it round the idler pulley (2). Then connect live knots in both ends of the Chain to both ends of the chain connector (3). Finally push Idler pulley bracket (1) into the rail section which is with holes.

6 Assemble the Driving Assembly

The driving assembly (consisting of driving wheel (2), wheel base (3) and splined sleeve (4)) has been well assembled in the factory. Assemble the Chain in each end of the trolley (6), and then put them in the rail. Trolley (6) and chain connector (5) should lock together.

NOTE: Rope's lever (7) should be toward the door opener unit.

Wrap the chain round the driving wheel (2), and push the driving assembly into the rail.

7 Assemble the Rail

Wear protective gloves when assemble the rail to protect your hands from possible injury from the edge of the rail.

Place rail pieces (1) on flat surface for assembly. All four rail sections are interchangeable. Slide rail brace (2) onto rail section. Connect rail by sliding rail brace onto next rail section. Tap rail assembly on piece of wood until rail sections are flush. Repeat with remaining rail sections. Please check whether the chain connector (4) is on the A side as picture shows.

NOTE: Check if the rail section with holes (5) is in the farthest end from the opener.

8 Fasten Rail to Opener and Install Chain

Insert four bolts (1) into the holes of brackets (4), secure with elastic washer (2) and washer (3). Place rail (5) on opener.

Wrap chain (6) over sprocket (7). Push idler pulley bracket assembly toward front of the rail to eliminate excess slack in chain. Insert the splined sleeve (8) into sprocket (7). Put the splined sleeve (8) onto the output shaft (9). Align bolt holes on brackets (4) with bolt holes on opener. Secure brackets to opener with previously removed bolts. Tighten bolts securely. The opener sprocket teeth must engage the chain.

CAUTION: Use only those bolts mounted in the top of opener. Use of any other bolts will cause serious damage to opener.

9 Attach Sprocket Cover

Place sprocket cover (1) on top of the opener (2), secure with screws (3).

10 Install Header Sleeve and Tighten Chain

Slide header sleeve (1) onto rail. Slide flat washer (3), spring (2) and washer (3) onto carriage bolt (4). Thread nut (5) onto carriage bolt until finger tight. Use an open end wrench (6) to tighten nut until the chain is not against the inside surface of the rail.

ASSEMBLY OF YOUR OPENER IS NOW COMPLETE.

INSTALLATION SECTION

Wear protective goggles when working overhead to protect your eyes from injury. Disengage all existing garage door locks to avoid damage to garage door. To avoid serious personal injury from entanglement, remove all ropes connected to garage door before installing opener. Installation of this product shall comply with ZH1/494, VDE 0700 Part 238, and VDE 0700 Part 1. It is recommended that the opener be installed 2.1m (7 feet) or more above the floor where space permits.

11 Position the Header Bracket

The header bracket must be rigidly fastened to a structural support of the garage. Reinforce the wall or ceiling with a 40 mm (1-1/2") board if necessary. Failure to comply may result in improper operation of safety reverse system.

You can attach the header bracket either to the header wall (1) or to the ceiling (3). Follow the instructions which will work best for your particular requirements.

With the door closed, mark the vertical centerline (2) of the garage door. Extend line onto header wall above the door.

Open door to highest point of travel. Draw an intersecting horizontal line (4) on header wall 5 cm (2") above high point to provide travel clearance for top edge of door.

12 Install the Header Bracket

NOTE: Refer to vertical center and horizontal lines created in step 10 for proper placement of header bracket.

A. Wall Mount: Center the header bracket (1) on the vertical center line (2) with the bottom edge of the header bracket on the horizontal line (4) (with the arrow pointing toward the ceiling). Mark all of the header bracket holes (5). Drill 4.5 mm (3/16") pilot holes and fasten the header bracket with wood screws (3).

B. Ceiling Mount: Extend vertical center line (2) onto the ceiling. Center the header bracket (1) on the vertical mark no more than 150 mm (6") from the wall. Make sure the arrow is pointing toward the opener. Mark all of the header bracket holes (5). Drill 4.5 mm (3/16") pilot holes and fasten the header bracket with wood screws (3). For concrete ceiling mount, use concrete anchors (6) provided.

13 Attach Rail to Header Bracket

Position opener on garage floor below the header bracket. Use packing material to protect the cover. Raise rail until holes in the header sleeve and holes in the header bracket align. Join with clevis pin (1). Insert "R" pin (2) to secure.

NOTE: To enable the rail to clear sectional door springs, it may be necessary to lift opener onto a temporary support. The opener must either be secured to a support or held firmly in place by another person.

14 Position the Opener

NOTE: A 25mm (1") board (1) is convenient for setting an ideal door-to-rail distance (unless headroom is not sufficient).

Raise the opener onto a stepladder. Open garage door. Place a 25mm (1") board (1) laid flat on the top section of door near the centerline as shown. Rest the rail on the board.

If the raised door hits the trolley, pull down on the trolley release arm to disconnect the inner and outer trolley sections. The trolley can remain disconnected until connecting door arm to trolley is completed.

15 Hang Opener

Bend Hanging Brackets (1) so they are flat against ceiling. Measure distance from Header Bracket to Ceiling Mounting Bracket Bolts (4). Mark length on ceiling starting at the Header Wall, along this point is where the unit will be mounted. Lift door to full open position, rest opener on door. Slide Hanging Brackets on to Ceiling Mounting Bracket Bolts (4) on the opener. Secure Brackets with Nut (5). For concrete ceilings, drill 8mm pilot holes into ceiling and insert Concrete Anchors (2). Secure Hanging Brackets to ceiling with Lag Screws (3). For wood ceilings, drill 4mm pilot holes and secure with Lag Screws (3).

16 Fasten Door Bracket

If you have a canopy garage door, a door arm conversion kit is required. Follow the installation instructions included with the replacement door arm. Exercise care in removing and assembling arm conversion kit. Keep fingers away from the sliding parts.

NOTE: *Horizontal and vertical reinforcement is needed for lightweight garage doors.*

Sectional and One-Piece Door Installation Procedure:

Door bracket has left and right side fastening holes. If your installation requires top and bottom fastening holes use both the door bracket and door bracket plate as shown.

Center door bracket (with or without door bracket plate, as required) at the top inside face of door as shown. Mark holes.

17 Assemble Door Arm

A. ONE-PIECE DOOR INSTALLATION:

Fasten the straight (1) and curved (2) door arm sections together to the longest possible length (with a 2 or 3 hole overlap) using hardware (3, 4 and 5). With the door closed connect the straight door arm section (1) to the door bracket with clevis pin (6). Secure with "R" pin (7). Disconnect the inner and outer trolley. Slide the outer trolley back toward the opener and join the curved arm (2) to the connector hole in the trolley (8) with clevis pin (6). It may be necessary to lift the door slightly to make the connection. Secure with "R" pin (7).

NOTE: *When setting the up limit, the door should not have a "backward" slant when fully open. A slight backward slant (9) will cause unnecessary bucking and/or jerking operation as the door is being opened or closed from the fully open position.*

B. SECTIONAL DOOR INSTALLATION:

Connect according to Figure B, and then proceed to Step 17.

18 Install Door Control (Optional)

Locate door control where the garage door is visible, away from door and door hardware and out of the reach of children.

Mount at least 1.5 m (5 feet) above the floor.

Serious personal injury from a moving garage door may result from misuse of opener. Do not allow children to operate the door control or remote control transmitter.

Permanently fasten the caution label permanently to the wall near the door control as a reminder of safe operating Procedures.

Fasten the door control to an inside garage wall with sheet metal screws (not provided). A convenient place is beside the service door and out of reach of children.

Use a 2-core cable (2×0.3 sq.mm shielded wire) to connect the push button to the garage door opener regardless of the polarity of terminal 1 & terminal 2.

Run the bell wire up the wall and across the ceiling to the garage door opener. The receiver quick connect terminals are located behind the light lens of the opener. Connect the bell wire to the terminals.

Press to open or close the door. Press again to stop the door while moving.

19 Install the Safety Photocell Beam (SPB) System (Optional)

1. Position the transmitter and receiver at a height of 30-40cm from the ground. For the best protection, please DON'T ex-

-ceed the height of 40cm.

2. Point transmitter towards receiver with a maximum tolerance of 5° and then screw up both of them.

3. Power off the garage door opener, insert the WHITE wire into the terminal 3, and then insert the RED wire into the terminal 4. Power on the opener, when the transmitter is aligned with the receiver, the Green LED is ON. Test the function using an obstacle. When the photocell beam is interrupted by an obstacle, the Green LED is OFF.

NOTE: The distance between transmitter and receiver should be less than 5m. Or the SPB will fail in function and the door opener wouldn't work normally.

ADJUSTMENT SECTION

20 Program Your Opener & Remote

Activate the opener only when door is in full view, free of obstruction and properly adjusted. No one should enter or leave garage while door is in motion. Do not allow children to operate push button(s) or remote(s). Do not allow children to play near the door.

Your garage door opener receiver and remote control transmitter are set to a matching code. If you purchase additional remote controls, the garage door opener must be programmed to accept the new remote code.

NOTE: Check again for completed and correct assembly of your Opener and Door.

1. Connect the Cord Plug to power supply. The Digital Display flashes with "H", and the Light is ON. The unit is into standby (Pic. 20-1).
2. Press and hold LEARN button on the Opener for more than 2 seconds, the Digital Display indicates "•" (Pic. 20-2). Press the key twice on the remote control that you wish to operate your garage door, and "•" flashes several times before it comes to "H" (Pic. 20-3). Now the opener has learned the code.

NOTE: If you want the Opener to learn additional remote codes, perform the above steps. The Opener can learn 6 remotes at most.

To Erase all Remote Control Codes

Press and hold LEARN button on the Opener, the Digital Display indicates "•" before it comes to "H". The codes are now erased when the Digital Display flashes with "H" (Pic. 20-4).

How to use the remote to control the opener

Each of the 4 keys in the remote can be programmed to operate the gate opener. The other 3 keys are optional for program to operate another garage door opener, swing/sliding gate opener in our brand. But for sliding gate opener, the Key B is used to achieve the Pedestrian Mode function. When the key has been programmed, you can press it to operate the corresponding opener to work alternately (open-stop-close-stop-open).

21 Setting the Limits

1. Press and hold SET button for more than 4 seconds. The Digital Display indicates "1" (Pic. 21-1). Press and release SET button again, "1" flashes in the Digital Display (Pic. 21-2). Now the unit enters into Limit Setting Mode.
2. Press and hold UP button. The motor travels towards the open position. "n" flashes in the Digital Display indicating the motor moves upward (Pic. 21-3). Release the button when the desired Open position is set. The motor stops moving. The OPEN position can be adjusted by pressing UP/DOWN button. Press SET button to store the data when the desired OPEN position is set. "1" glows steadily in the Digital Display (Pic. 21-4). Now setting the OPEN limit is finished.

3. Press UP button and choose figure "2" (Pic. 21-5). Press and release SET button. The Digital Display indicates "2" with flash (Pic. 21-6). The unit is ready for setting CLOSE position.
4. Press DOWN button. The motor travels towards the close position. "u" flashes in the Digital Display indicating the motor moves downward (Pic. 21-7). Release the button when the desired Close position is set. The motor stops moving. The CLOSE position can be adjusted by pressing UP/DOWN button. Press SET button to store the data when the desired CLOSE position is set. "2" glows steadily in the Digital Display (Pic. 21-8). The unit is waiting for entering other modes. Press SET button for seconds till "H" appears in Digital Display (Pic. 21-9). Now Setting the Limits is finished.

22 Setting the Open Force

1. Press and hold SET button for more than 4 seconds. The Digital Display indicates "1" (Skip if continuing Open Force Set after the Limits Set is finished).
2. Continually press UP button until the Digital Display indicates "3" (Pic. 22-1). Press and release SET button. "3" flashes in the Digital Display (Pic. 22-2). Now the unit enters into Force Adjustment Mode.
3. Press and release UP button. "1" –"9" flashes in the Digital Display (default value is "4") (Pic. 22-3) which indicates Open Force level. "1" is the minimum force, and "9" is the maximum force. Each time press and release UP button, the figure is bigger by 1, and the force increases to a higher level. Each time press and release DOWN button, the figure is smaller by 1, and the force decreases to a lower level (Pic. 22-4).
4. Press SET button to store the data when desired Open Force is set. "3" glows steadily in the Digital Display (Pic. 22-5). The unit is ready for setting other parameter. Press SET button for seconds till "H" appears in Digital Display (Pic. 22-6). Now the Open Force Adjustment is finished.

23 Setting the Close Force

1. Press and hold SET button for more than 4 seconds. The Digital Display indicates "1" (Skip if continuing Close Force Set after the Open Force Set is finished).
2. Continually press UP button until the Digital Display indicates "4" (Pic. 23-1). Press and release SET button. "4" flashes in the Digital Display (Pic. 23-2). Now the unit enters into Close Force Setting Mode.
3. Press and release UP button. "1" –"9" flashes in the Digital Display (default value is "4") (Pic. 23-3) which indicates Open Force level. "1" is the minimum force, and "9" is the maximum force. Each time press and release UP button, the figure is bigger by 1, and the force increases to a higher level accordingly. Each time press and release DOWN button, the figure is smaller by 1, and the force decreases to a lower level accordingly (Pic. 23-4).
4. Press SET button to store the data when desired Close Force is set. "4" glows steadily in the Digital Display (Pic. 23-5). The unit is ready for setting other parameter. Press SET button for seconds till "H" appears in Digital Display (Pic. 23-6). Now the Close Force Set is finished.

24 Setting the Automatic Closing Time

1. Press and hold SET button for more than 4 seconds. The Digital Display indicates "1" (Skip if continuing Closing Time Set after the Close Force Set is finished).
2. Press UP button and choose figure "5" (Pic. 24-1). Press and release SET button. "5" flashes in the Digital Display (Pic. 24-2). Now the unit enters into Setting the Automatic Closing Time.
3. Press and release UP button. "0" –"9" flashes in the Digital Display (default value is "0", Automatic Closing function is closed) indicating current automatic closing time (Pic. 24-3). The minimum time is 1 minute, 9 minutes maximum. Each time press and release UP button, the figure is bigger by 1, and the timing increases by 1 minute accordingly. Each time press and release DOWN button, the figure is smaller by 1, and the timing decreases by 1 minute accordingly (Pic. 24-4). When the indication is "0", it means the Automatic Closing function is closed.
4. Press SET button to store the data when desired Automatic Closing Time is set. "5" glows steadily in the Digital Display (Pic. 24-5). The unit is ready for setting other parameter. Press SET button for seconds till "h" appears in Digital Display (Pic. 24-6). Now the Automatic Closing Time has been set.

25 Set the Safety Photocell Beam (SPB) System (Optional)

1. Press and hold SET button for more than 4 seconds. The Digital Display indicates "1" (Skip if continuing SPB Set after the Closing Time Set is finished).
2. Press UP button and choose figure "6" (Pic. 25-1). Press and release SET button. "6" flashes in the Digital Display (Pic. 25-2). Now the unit enters into Setting the Safety Photocell Beam (SPB) Function.
3. Press and release UP button. The Digital Display indicates "1" (SPB is available).(Pic 25-3) Press and release DOWN button. The Digital Display indicates "0" (SPB is null) (Pic.25-4).
4. Press SET button to store the data when SPB is set. "6" glows steadily in the Digital Display. (25-5).The unit is ready for setting other parameter. Press SET button for seconds till "H" or "h" appears in Digital Display (Pic.25-6). Now Setting the SPB Function is finished.

NOTE: The unit doesn't work until the SPB is equipped and "1" is set in the LED.

26 Test the Safety Reverse System

The safety reverse system test is important. Garage door must reverse on contact with a 100mm obstacle laid flat on the floor. Failure to properly adjust opener may result in serious personal injury from a closing garage door. Repeat test once a month and adjust as needed.

Procedure: Place a 100mm obstacle (1) laid flat on the floor under the garage door. Operate the door in the down direction. The door must reverse on the obstruction. If the door stops on the obstruction, remove obstruction and repeat Setting the Limits step 21. Repeat test.

When the door reverses on the 100mm obstacle, remove the obstruction and run the opener through a complete travel cycle. Door must not reverse in closed position. If it does, repeat Setting the Limits and Force steps 21, 22 and 23, and repeat safety reverse test.

Place 20kg at the center of the door and ensure that the door will not move up more than 500mm.

27 Light Features

The Light is ON automatically when the unit is under operation. The Light will be automatically OFF if no Door Control or Remote is pressed within 3 minutes.

Press the Remote or Light Button in Wall Switch, the Light is ON. The Light will be also automatically OFF if no Wall Switch or Remote is pressed within 3 minutes.

28 Having a Problem?

1. *Opener doesn't operate from either door control or remote:*

- Does the opener have electric power? Plug lamp into outlet. If it doesn't light, check the fuse box or the circuit breaker. (Some outlets are controlled by a door control.)
- Have you disengaged all door locks? Review installation instruction warnings on page 1.
- Is there a build-up of ice or snow under door? The door may be frozen to ground. Remove any obstruction.
- The garage door spring may be broken. Have it replaced.

2. *Opener operates from remote but not from door control:*

- Is door control button lit? If not, remove the bell wire from the opener terminals. Short the terminals by touching both terminals at the same time with a piece of wire. If the opener runs, check for a faulty wire connection at the door control, a short under the staples, or a broken wire.
- Are wiring connections correct? Review page 6.

3. *Door operates from door control but not from remote:*

- Replace battery if necessary.
- If you have two or more remotes and only one operates, review Program Your Opener and Remote step 20.

4. *Remote has short range:*

- Is battery installed?
- Change the location of the remote control on the car.
- A metal garage door, foil-backed insulation or metal siding will reduce the transmission range.

5. *Door reverses for no apparent reason and opener light doesn't blink:*

- Is something obstructing the door? Pull manual release handle. Operate door manually. If it is unbalanced or binding, call for professional garage door service.
- Clear any ice or snow from garage floor area where garage door closes.
- Repeat Setting Limits and Force, see adjustment steps 21, 22 and 23. Repeat safety reverse test after adjustment is complete.

6. *Door reverses for no apparent reason and opener light blinks for 5 seconds after reversing:*

Check the Safety Photocell Beam (if you have installed this accessory).

If the light is blinking, correct alignment.

7. *The garage door opens and closes by itself:*

Make sure remote push button is not stuck "on".

8. *Door stops but doesn't close completely:*

Repeat Setting the Limits, see adjustment step 21.

Repeat safety reverse test after any adjustment of door arm length, close force or close limit.

9. Door opens but won't close:

- Check the Safety Photocell Beam (if you have installed this accessory).
If the light is blinking, correct alignment.
- If you don't have the "SPB" system, check if the indication in Digital Display is "0" (SPB is null). See Step 25.
- If opener light does not blink and it is a new installation, repeat Setting the Limit and Force steps 21, 22 and 23. Repeat the safety reverse test after the adjustment is complete.

10. Opener light does not turn on:

Replace light bulb (230V, 25W maximum). Replace burned out bulbs with rough service light bulbs.

11. Opener strains:

Door may be unbalanced or springs are broken. Close door and use manual release rope and handle to disconnect trolley. Open and close door manually. A properly balanced door will stay in any point of travel while being supported entirely by its springs. If it does not, call for professional garage door service to correct the problem.

13. Opener motor hums briefly then won't work:

- Garage door springs are broken. SEE ABOVE.
- If problem occurs on first operation of opener, door is locked. Disable door lock.

Repeat safety reverse test after adjustment is complete.

14. Opener won't activate due to power failure:

- Pull manual release rope and handle down and back to disconnect trolley. Door can be opened and closed manually. When the power is restored and the opener is activated by remote control, the trolley will reconnect.
- The Outside Quick Release accessory (if fitted) disconnects the trolley from outside the garage in case of power failure.

29 Care of Your Opener

When properly installed, opener will provide high performance with a minimum of maintenance. The opener does not require additional lubrication.

Limit and Force Settings: These settings must be checked and properly set when opener is installed. Weather conditions may cause some minor changes in the door operation, requiring some re-adjustments, particularly during the first year of operation.

Refer to *Setting the Limits and Force* on page 7 and 8. Follow the instructions carefully and **repeat the safety reverse test after any adjustment.**

Remote Control: Additional remotes can be purchased at any time for use in all vehicles using garage. Any new remotes must be programmed into the opener.

Remote Control Battery: The Alkaline Batteries (27AE12V) should produce power for up to 3 months. If transmission range lessens, replace battery.

To Change Battery: To replace battery, use the philipps screwdriver blade to open the housing. Do not dispose of the old battery with household waste. Take batteries to a proper disposal center.

NOTE: If the supply cord is damaged, it must be replaced by the manufacturer, its service agent or similarly qualified persons in order to avoid a hazard.

NOTE: Attention shall be drawn to the environmental aspect of batteries disposal. Don't throw your batteries in dustbin. Please contact your retailer in order to protect your environment.

30 Maintenance of Your Opener

Once a Month:

- Repeat safety reverse test. Make any necessary adjustments.
- Manually operate door. If it is unbalanced or binding, call for professional garage door service.
- Check to be sure door opens and closes fully. Adjust Limits and/or Force if necessary.

Twice a Year:

- Check chain tension. Disconnect Trolley first. Adjust if necessary.

Once a Year:

Oil door roller, bearings and hinges. The opener does not require additional lubrication. Do not grease the door tracks.

31 Specifications

Voltage: 220 - 240V, 50Hz

Motor: 24V DC

Rated Power: 120W

Light Power: 230V, 10-25W

Operation Speed: 120mm/s

Frequency: 433.92MHz

Standby Power: < 8W

Rated Force: 300N

Max. Force: 800N

Lamp: ON when door opens, OFF in 3 minutes after door closes.

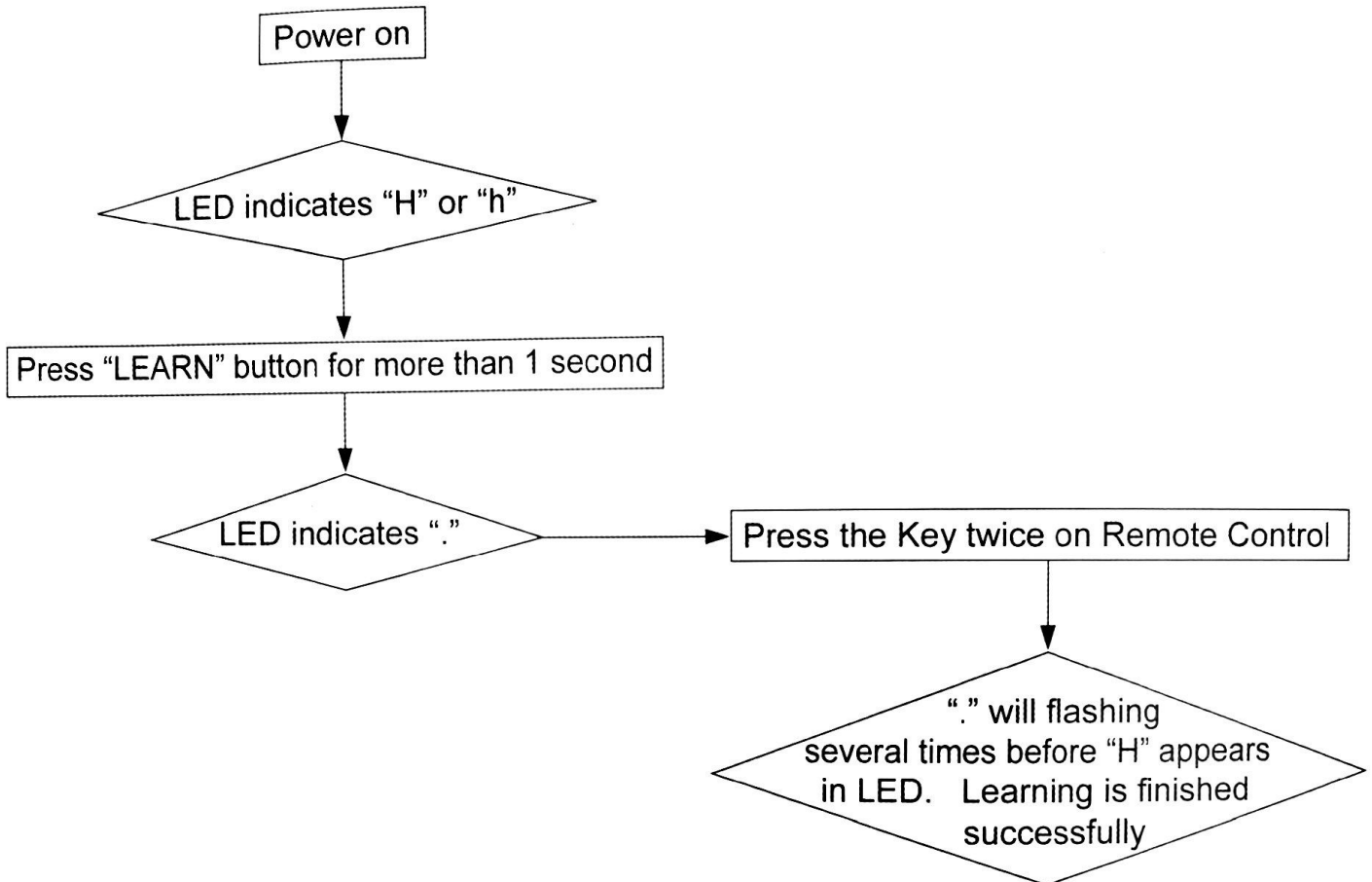
Personal: Push button and automatic reverse in DOWN direction. Push button and automatic stop in UP direction.

Headroom Required: 30mm

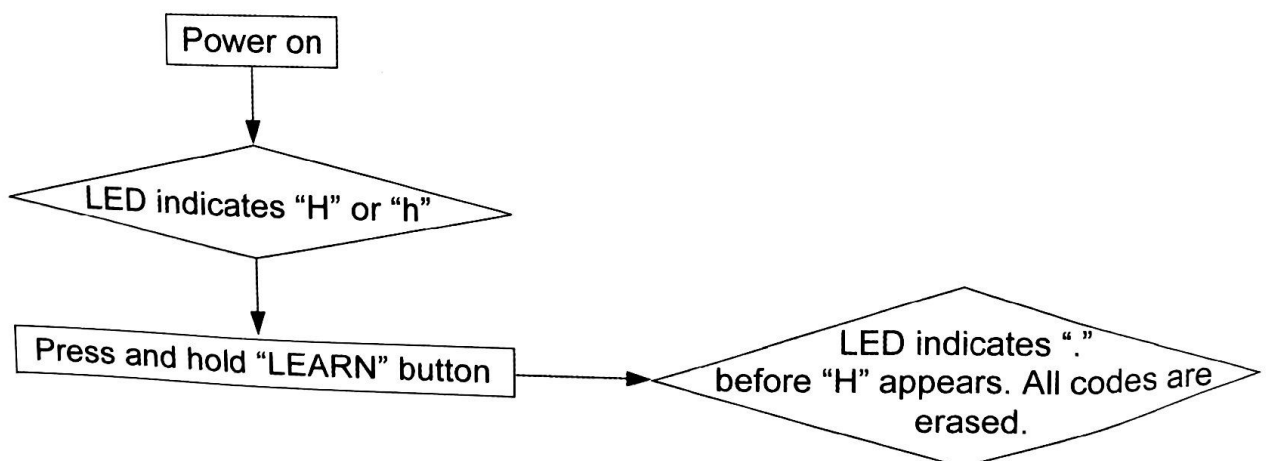
Soft start and soft stop

Quick-Setting Guide

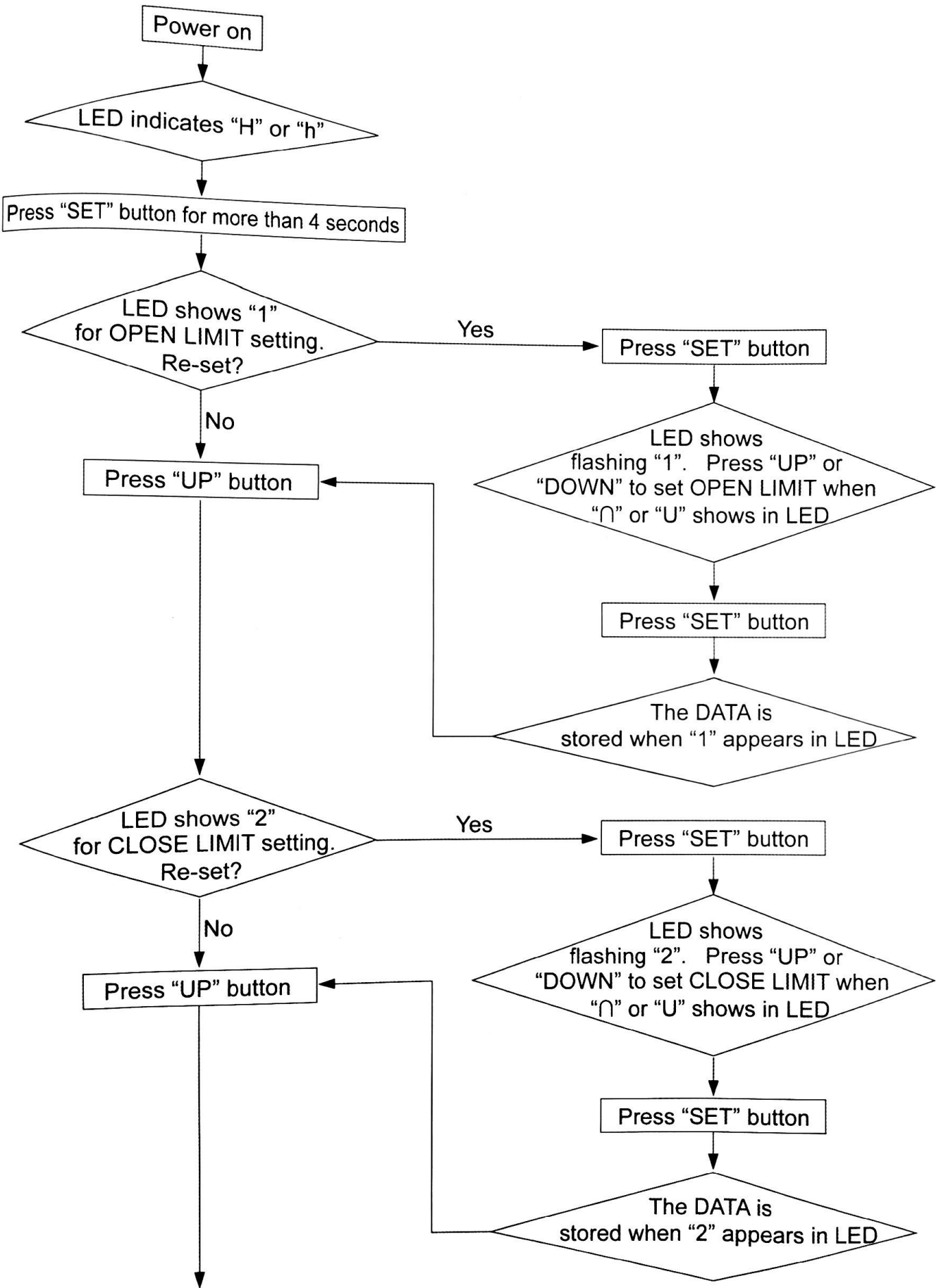
• Program your Opener & Remote

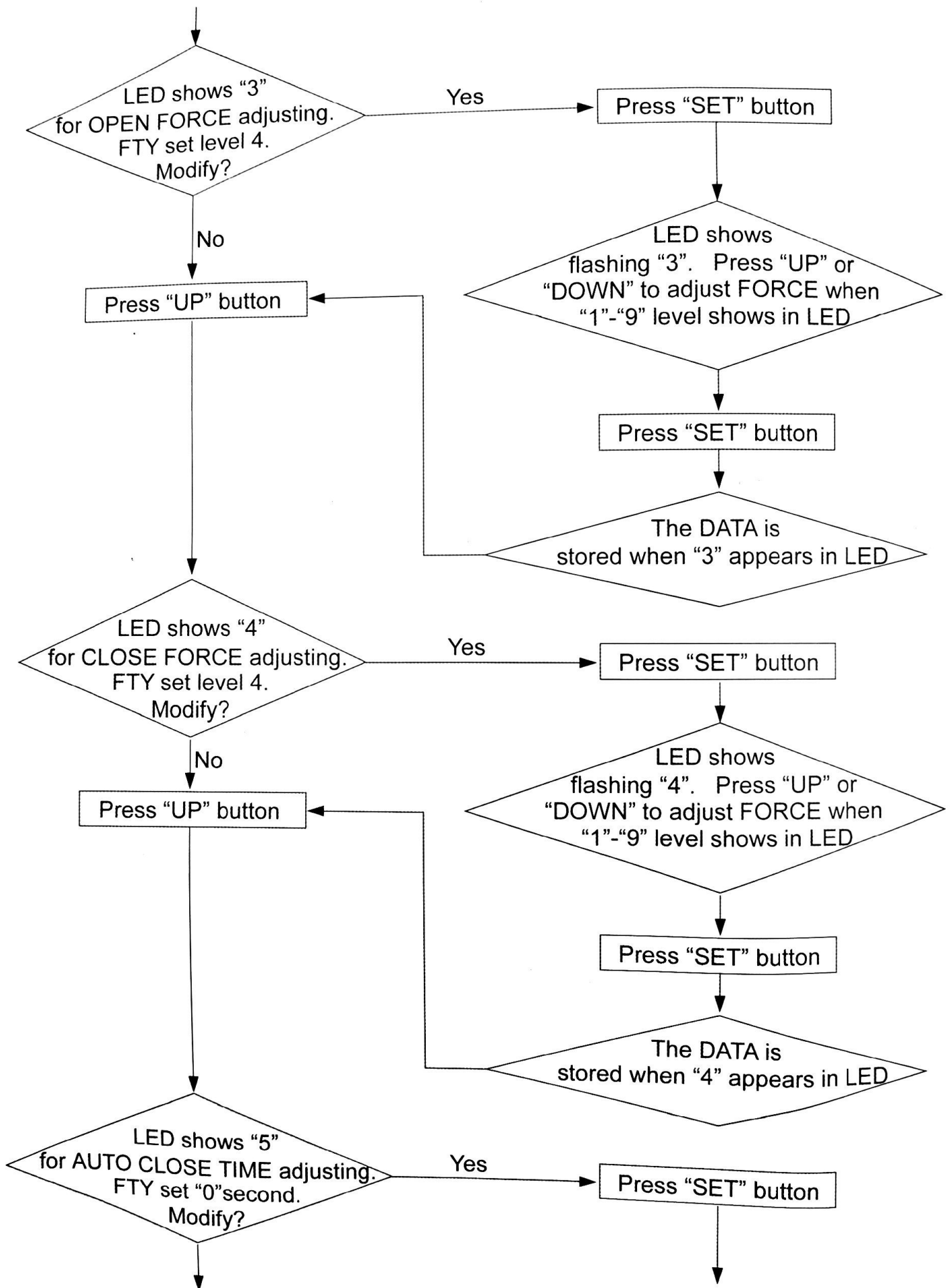


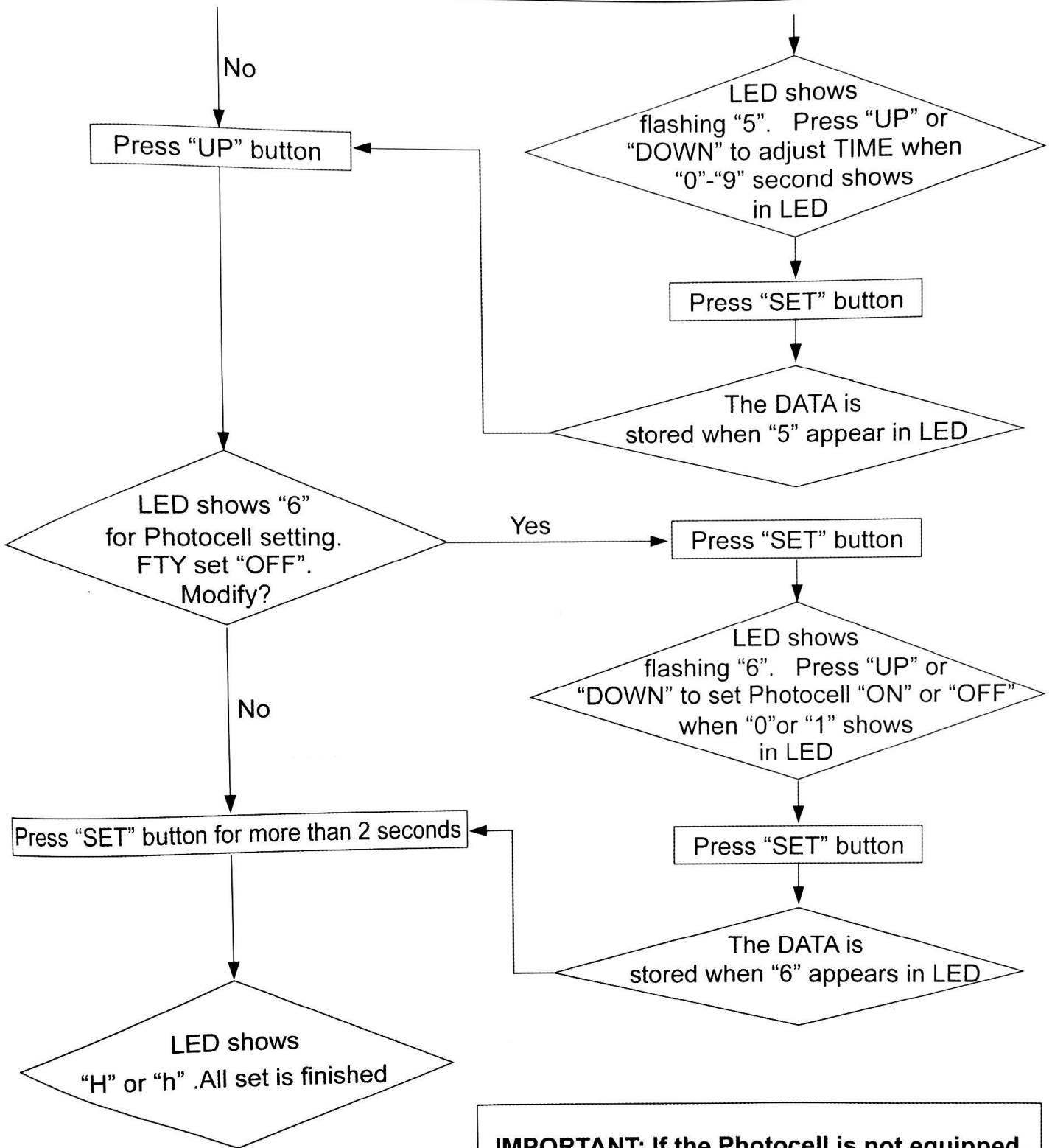
• To Erase all remote Control codes.



• Unit Setting







IMPORTANT: If the Photocell is not equipped, you must adjust the "0" in LED to ensure the Photocell set is OFF. Otherwise the unit can't work to close at all.